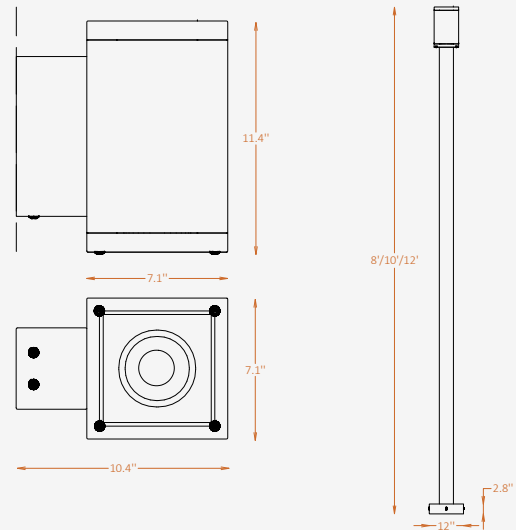




GENERAL INFORMATION

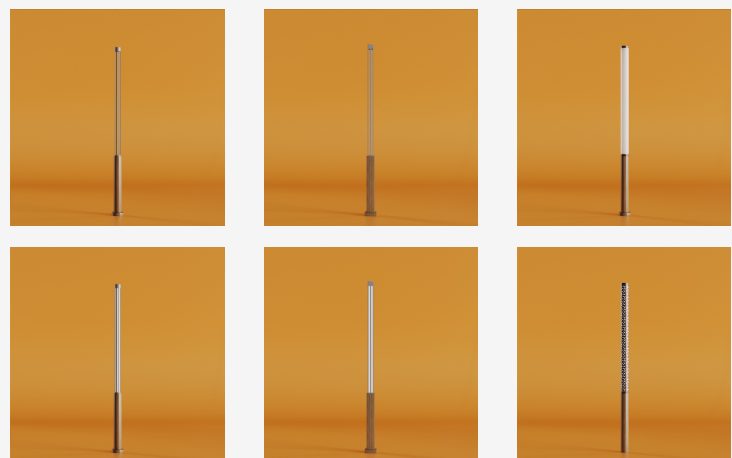
STERLING C is an architectural lighting column designed to seamlessly integrate illumination and structure within outdoor environments. Defined by its clean linear form and precision-engineered luminaire heads, the fixture provides efficient area lighting while contributing to the overall architectural character of the space. Constructed from extruded aluminum and tempered glass, STERLING C is ideal for plazas, transit hubs, campuses, pedestrian corridors, and commercial developments. Available in multiple heights, beam distributions, and output options, the fixture combines durability, visual elegance, and lighting performance to enhance both the functionality and identity of contemporary outdoor environments.



SPECIFICATIONS

| | |
|-----------------------------|--|
| Material | Extruded Aluminum + Tempered Glass |
| Lens | Tempered Glass |
| Pole Profile | 4" x 4" |
| Luminaire Head | 7.1" x 11.4" |
| Overall Height | 8' / 10' / 12' |
| Light Source Type | LED |
| Power | 1 x 20W / 1 x 29W / 1 x 40W / 1 x 50W |
| Input Voltage | 110-277V, 50-60 Hz |
| LED Output | 90 lm/W |
| CCT | 2200K / 3000K / 3500K / 4000K / 5000K |
| CRI | 90 |
| Dimming & Driver | Integral, 0-10V |
| Light Distribution | 17° / 27° / 34° / 60° / 46° x 56° / 76° x 60° |
| IP Rating | IP 65 |
| Warranty | 5 years |
| Finishes | 16 standard finishes 8 wood-effect finishes 12 metallic finishes Custom on request* |
| Operating Temp. | -40°C to +50°C (-40°F to +122°F) |

OTHER VERSIONS AVAILABLE



CERTIFICATION



Ordering Information

Select one item from each category below. If your desired option is unavailable, please contact our team for support or custom solutions.

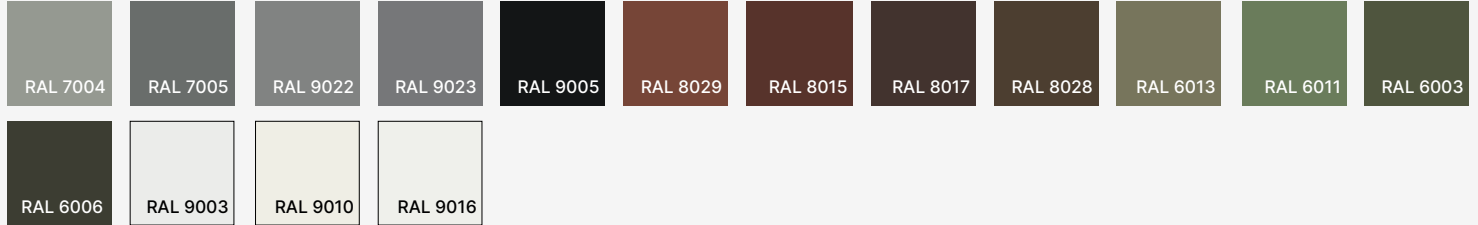
| Code | Pole Profile | Overall Height | Material |
|---|---|---|---|
| <input checked="" type="checkbox"/> STN-C Column | <input type="checkbox"/> 4 4" x 4" <input type="checkbox"/> CUS Custom on request | <input type="checkbox"/> 8 8' <input type="checkbox"/> 10 10' <input type="checkbox"/> 12 12' <input type="checkbox"/> CUS Custom on request | <input checked="" type="checkbox"/> AL Extruded Aluminum + Tempered Glass |
| CCT | Wattage / Lumens | Light Distribution | Luminaire Head Quantity |
| <input type="checkbox"/> 22 2200K <input type="checkbox"/> 30 3000K <input type="checkbox"/> 35 3500K <input type="checkbox"/> 40 4000K <input type="checkbox"/> 50 5000K <input type="checkbox"/> CUS Custom on request | <input type="checkbox"/> 20 1 x 20W / 1 x 1840 lm <input type="checkbox"/> 29 1 x 29W / 1 x 2668 lm <input type="checkbox"/> 40 1 x 40W / 1 x 3680 lm <input type="checkbox"/> 50 1 x 50W / 1 x 4600 lm <input type="checkbox"/> CUS Custom on request <small>Note: Wattage and lumen values shown are per light head and apply to direct distribution only.</small> | <input type="checkbox"/> D17 Direct 17° <input type="checkbox"/> D27 Direct 27° <input type="checkbox"/> D34 Direct 34° <input type="checkbox"/> D60 Direct 60° <input type="checkbox"/> D117 Direct / Indirect 17° x 17° <input type="checkbox"/> D127 Direct / Indirect 27° x 27° <input type="checkbox"/> D134 Direct / Indirect 34° x 34° <input type="checkbox"/> D146 Direct / Indirect 46° x 56° <input type="checkbox"/> D176 Direct / Indirect 76° x 60° <input type="checkbox"/> CUS Custom on request | <input type="checkbox"/> Q1 1 Luminaire Head <input type="checkbox"/> Q2 2 Luminaire Heads <input type="checkbox"/> Q3 3 Luminaire Heads <input type="checkbox"/> Q4 4 Luminaire Heads <input type="checkbox"/> CUS Custom on request |
| Dimming | Luminaire Head Finish Option | Body Finish Option | Mounting |
| <input type="checkbox"/> NN Non-Dimmable <input type="checkbox"/> DM 0-10V | <input type="checkbox"/> ST Standard <input type="checkbox"/> WE Wood effect <input type="checkbox"/> MC Metallic <input type="checkbox"/> CUS Custom on request | <input type="checkbox"/> ST Standard <input type="checkbox"/> WE Wood effect <input type="checkbox"/> MC Metallic <input type="checkbox"/> CUS Custom on request | <input checked="" type="checkbox"/> AB Anchored Base |

Project

Notes

Finishes

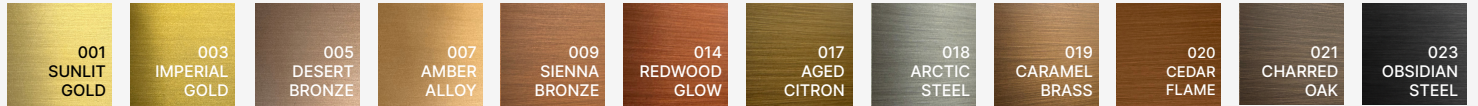
Standard finishes



Wood-effect finishes



Metallic finishes



RAL K7 CLASSIC COLORS (80-95% GLOSS): RAL_ _ _ _

All RAL Classic colors are available with no setup fee.

On your specification submittal, choose your RAL color by entering the 4-digit RAL code (e.g., RAL 3003).

