

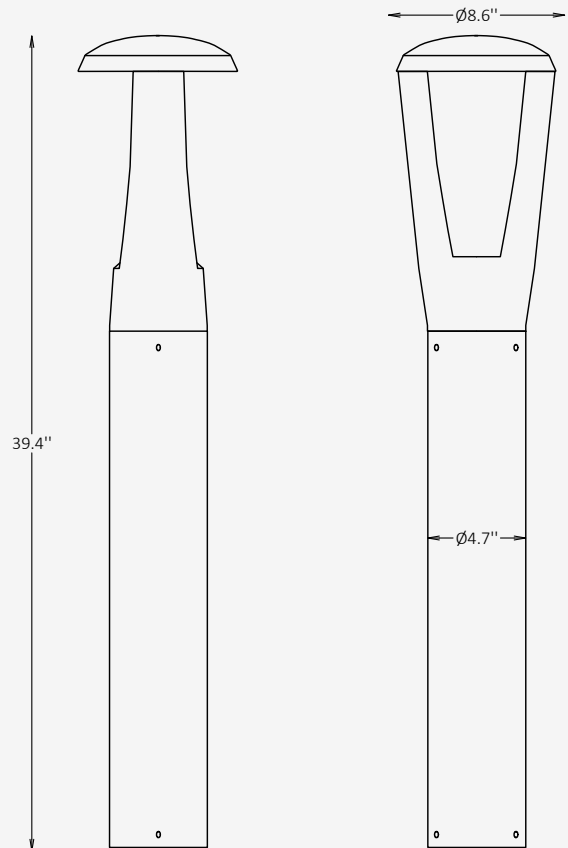


GENERAL INFORMATION

The ARCLITE B is a contemporary architectural bollard designed to deliver uniform, glare-controlled pathway illumination with a refined, minimal aesthetic. Its streamlined aluminum body and open-frame head create a visually light profile while ensuring strong structural durability for exterior environments. Engineered with Type V symmetrical distribution, ARCLITE B provides consistent 360° coverage ideal for pathways, courtyards, residential landscapes, and commercial exteriors. With high-efficiency LED performance, weatherproof construction, and multiple finish options, it offers a reliable and elegant solution for modern outdoor lighting applications.

SPECIFICATIONS

Material	Extruded Aluminum
Lens	N/A
Diameter	4.7"
Total Height	39.4"
Light Source Type	LED
Power	15W
Input Voltage	110-277V, 50-60 Hz
LED Output	70 lm/W
CCT	3000K
CRI	80
Dimming & Driver	Integral, 0-10V
Light Distribution	Type V 360° symmetrical downlight
IP Rating	IP 65
Warranty	5 years
Finishes	3 standard finishes Custom on request*
Operating Temp.	-40°C to +50°C (-40°F to +122°F)



CERTIFICATION



Designed and produced by Your Light

Ordering Information

Select one item from each category below. If your desired option is unavailable, please contact our team for support or custom solutions.

Code	Diameter Ø	Height	Material
<input checked="" type="checkbox"/> ARL-B Bollard	<input type="checkbox"/> 4 4.7"	<input type="checkbox"/> 39 39.4"	<input checked="" type="checkbox"/> AL Aluminum
	<input type="checkbox"/> Cus Custom on request	<input type="checkbox"/> Cus Custom on request	
CCT	Wattage / Lumens	Light Distribution	Dimming
<input type="checkbox"/> 30 3000K	<input type="checkbox"/> 10 15 W / 1050 lm	<input checked="" type="checkbox"/> LD5 Type V 360° symmetrical downlight	<input type="checkbox"/> NN Non-Dimmable
<input type="checkbox"/> Cus Custom on request	<input type="checkbox"/> Cus Custom on request		<input type="checkbox"/> DM 0-10V
Finish Option	Mounting		
<input type="checkbox"/> ST Standard	<input type="checkbox"/> SM Surface-mounted		
<input type="checkbox"/> Cus Custom on request	<input type="checkbox"/> Cus Custom on request		

Finishes

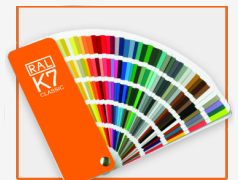
Standard finishes



RAL K7 CLASSIC COLORS (80-95% GLOSS): RAL_ _ _ _

All RAL Classic colors are available with no setup fee.

On your specification submittal, choose your RAL color by entering the 4-digit RAL code (e.g., RAL 3003).

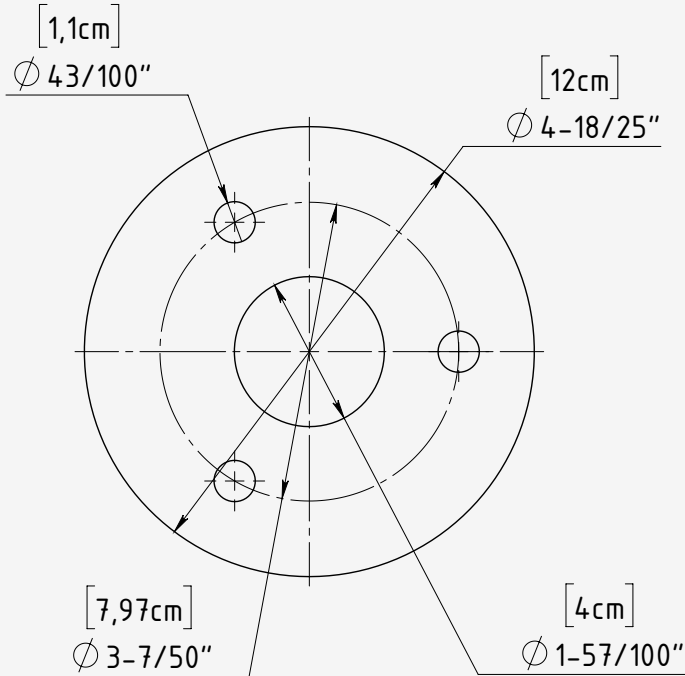


Project

Notes

Bolt Patterns

for Surface-mounted Installation



Mounting Type	Surface-mounted
Base Plate Material	Stainless Steel
Bolt Mounting Circle	Ø: 3-7/50"
Number of Anchor Bolt	3 equally holes (120° apart)
Bolt Size	1/4"-20 x 3 1/4" concrete anchor bolt

Installation Notes:

- Use a manufacturer-supplied base plate to position anchor bolts accurately.
- Ensure bolts are embedded vertically and aligned to avoid fixture tilt.
- Grouting under the base plate is recommended for leveling and load distribution.
- Allow clearance for wiring through the center opening and access to bolt heads if concealed.