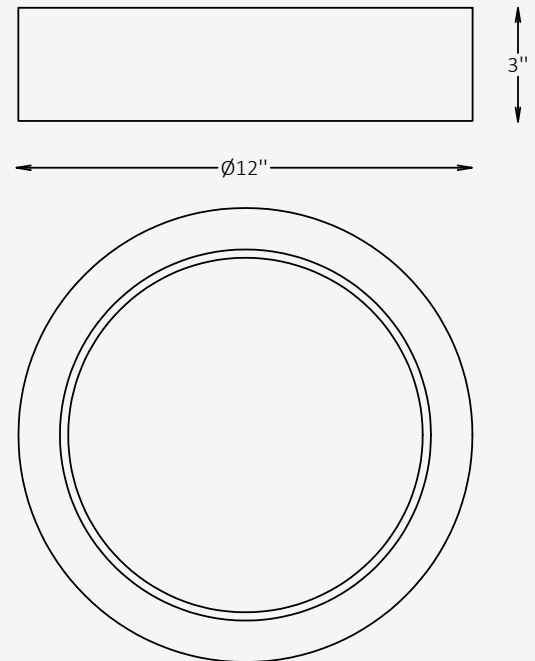




GENERAL INFORMATION

The Terrava Lume Outdoor Ceiling fixture presents a refined balance of simplicity and precision. Its circular form and diffused illumination provide uniform, comfortable lighting ideal for terraces, entrances, and covered walkways. Designed with an aluminum body and polycarbonate diffuser, Terrava Lume combines durability with modern aesthetics, offering multiple finish options that adapt seamlessly to architectural or residential outdoor spaces.



SPECIFICATIONS

Material	Aluminum
Lens	Polycarbonate
Diameter	12"
Height	3"
Input Voltage	110-277V, 50-60 Hz
Light Source Type	LED
Power	12W / 15W / 20W
LED Output	120 lm/W
CCT	2700K / 3000K / 4000K
CRI	90
Dimming & Driver	Integral, 0-10V
Light Distribution	Beam Down
IP Rating	IP 65
Warranty	5 years
Finishes	27 RAL finishes 8 wood-effect finishes 12 metallic finishes Custom on request*
Operating Temp.	-25°C to +45°C (-13°F to +113°F)

OTHER VERSIONS AVAILABLE



CERTIFICATION



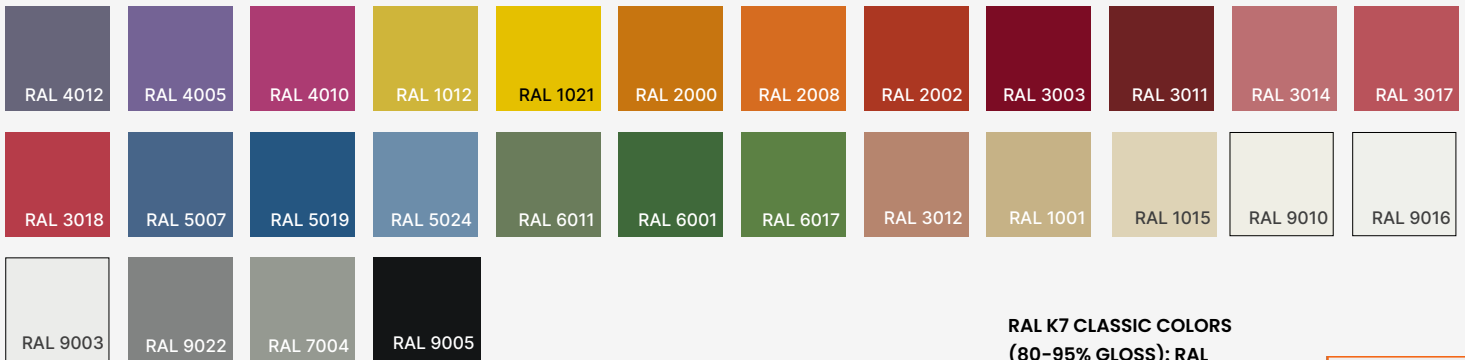
Ordering Information

Select one item from each category below. If your desired option is unavailable, please contact our team for support or custom solutions.

Code	Wattage / Lumens	CCT	Dimming
<input checked="" type="checkbox"/> LME Outdoor Ceiling	<input type="checkbox"/> 14 12 W / 1440 lm	<input type="checkbox"/> 27 2700K	<input type="checkbox"/> NN Non-Dimmable
	<input type="checkbox"/> 18 15 W / 1800 lm	<input type="checkbox"/> 30 3000K	<input type="checkbox"/> DM 0-10V
	<input type="checkbox"/> 24 20 W / 2400 lm	<input type="checkbox"/> 40 4000K	
	<input type="checkbox"/> Cus Custom on request	<input type="checkbox"/> Cus Custom on request	
Top Housing Finish Options	Bottom Frame Finish Options	<p>Note: The color combination shown in the photo on the first page of this spec sheet is part of the exclusive A We Lighting Design Palette. This custom palette reflects our brand's identity and is available as a special finish option — A We Lighting Palette*.</p>	
<input type="checkbox"/> ST Standard	<input type="checkbox"/> ST Standard		
<input type="checkbox"/> WE Wood effect	<input type="checkbox"/> WE Wood effect		
<input type="checkbox"/> MC Metallic	<input type="checkbox"/> MC Metallic		
<input type="checkbox"/> AWE A We Lighting Palette*	<input type="checkbox"/> AWE A We Lighting Palette*		
<input type="checkbox"/> Cus Custom on request	<input type="checkbox"/> Cus Custom on request		

Finishes

Standard finishes



RAL K7 CLASSIC COLORS (80-95% GLOSS): RAL_ _ _ _

All RAL Classic colors are available with no setup fee.

On your specification submittal, choose your RAL color by entering the 4-digit RAL code (e.g., RAL 3003).



Wood-effect finishes



Metallic finishes

