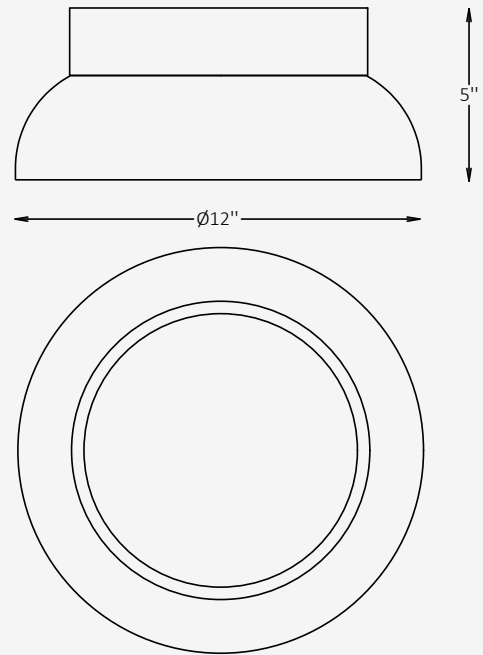




GENERAL INFORMATION

The Terrava Brim Outdoor Ceiling fixture features a gently flared silhouette that brings both structure and warmth to exterior spaces. Its layered aluminum form and diffused polycarbonate lens provide uniform, glare-free illumination suitable for entrances, terraces, and verandas. Built for lasting outdoor performance, Terrava Brim blends modern design with functional elegance across a wide range of finishes.



SPECIFICATIONS

Material	Aluminum
Lens	Polycarbonate
Diameter	12"
Height	5"
Input Voltage	110-277V, 50-60 Hz
Light Source Type	LED
Power	12W / 15W / 20W
LED Output	120 lm/W
CCT	2700K / 3000K / 4000K
CRI	90
Dimming & Driver	Integral, 0-10V
Light Distribution	Beam Down
IP Rating	IP 65
Warranty	5 years
Finishes	27 RAL finishes 8 wood-effect finishes 12 metallic finishes Custom on request*
Operating Temp.	-25°C to +45°C (-13°F to +113°F)

OTHER VERSIONS AVAILABLE



CERTIFICATION



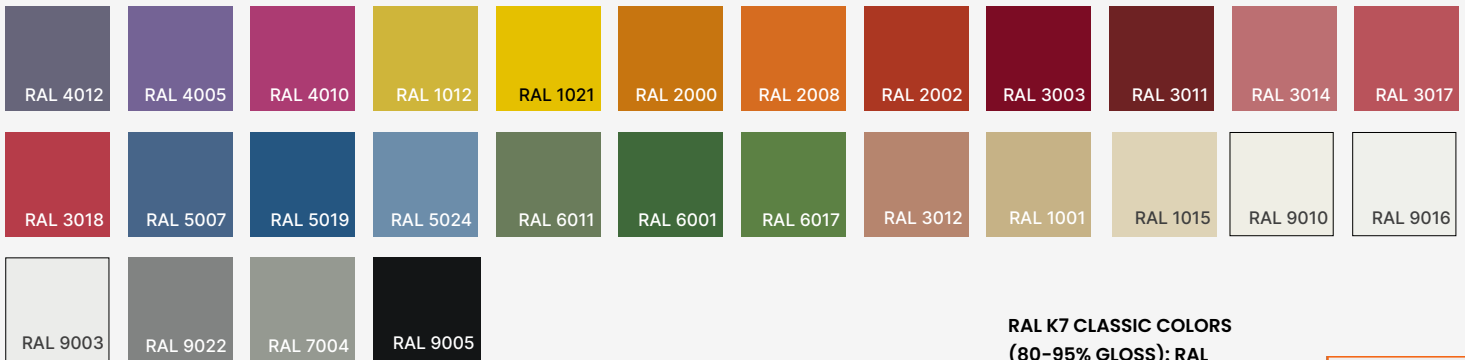
Ordering Information

Select one item from each category below. If your desired option is unavailable, please contact our team for support or custom solutions.

Code	Wattage / Lumens	CCT	Dimming
<input checked="" type="checkbox"/> BRM Outdoor Ceiling	<input type="checkbox"/> 14 12 W / 1440 lm	<input type="checkbox"/> 27 2700K	<input type="checkbox"/> NN Non-Dimmable
	<input type="checkbox"/> 18 15 W / 1800 lm	<input type="checkbox"/> 30 3000K	<input type="checkbox"/> DM 0-10V
	<input type="checkbox"/> 24 20 W / 2400 lm	<input type="checkbox"/> 40 4000K	
	<input type="checkbox"/> Cus Custom on request	<input type="checkbox"/> Cus Custom on request	
Top Ring Finish Options	Body Cone Finish Options	<p>Note: The color combination shown in the photo on the first page of this spec sheet is part of the exclusive A We Lighting Design Palette. This custom palette reflects our brand's identity and is available as a special finish option — A We Lighting Palette*.</p>	
<input type="checkbox"/> ST Standard	<input type="checkbox"/> ST Standard		
<input type="checkbox"/> WE Wood effect	<input type="checkbox"/> WE Wood effect		
<input type="checkbox"/> MC Metallic	<input type="checkbox"/> MC Metallic		
<input type="checkbox"/> AWE A We Lighting Palette*	<input type="checkbox"/> AWE A We Lighting Palette*		
<input type="checkbox"/> Cus Custom on request	<input type="checkbox"/> Cus Custom on request		

Finishes

Standard finishes



RAL K7 CLASSIC COLORS
(80-95% GLOSS): RAL_ _ _ _

All RAL Classic colors are available with no setup fee.

On your specification submittal, choose your RAL color by entering the 4-digit RAL code (e.g., RAL 3003).



Wood-effect finishes



Metallic finishes

