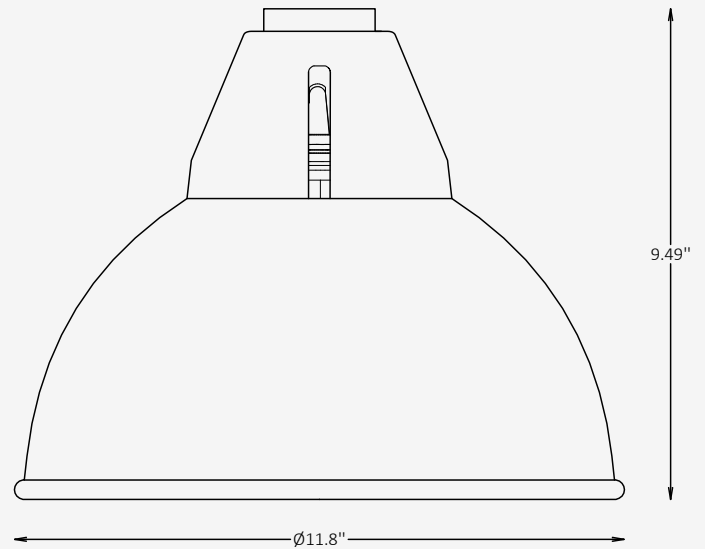




GENERAL INFORMATION

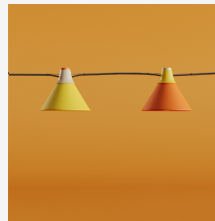
ALIRA is a modular catenary lighting system engineered for architectural outdoor environments. Designed to be suspended along tensioned steel cables, the system provides a flexible and visually lightweight solution for illuminating streetscapes, courtyards, plazas, and pedestrian zones. Each luminaire features precision-formed construction with a frosted acrylic diffuser, delivering controlled and uniform illumination with multiple distribution options including spot, medium, and flood. With IP65 protection, integrated 0–10V dimming capability, and a range of lumen packages and CCT options, ALIRA combines performance, adaptability, and refined design to meet the demands of contemporary exterior lighting projects.



SPECIFICATIONS

Material	Stainless steel + Acrylic
Diffuser	Acrylic, Frosted
Diameter	11.8"
Height	9.49"
Light Source Type	LED
Power	15W / 20W / 30W
Input Voltage	110–277V, 50–60 Hz
LED Output	80 lm/W
CCT	2200K / 2700K / 3000K / 4000K / 5000K
CRI	90
Dimming & Driver	Integral, 0–10V
Light Distribution	Spot / Medium / Flood
IP Rating	IP 65
Warranty	5 years
Finishes	28 standard finishes 8 wood-effect finishes 12 metallic finishes Custom on request*
Operating Temp.	-40°C to +50°C (-40°F to +122°F)

OTHER VERSIONS AVAILABLE



Important:

Catenary steel wire rope and all associated installation hardware/ accessories—including anchors, fittings, tensioning/turnbuckles, and attachment hardware are not included and shall be provided by others.

CERTIFICATION



Project

Notes

Ordering Information

Select one item from each category below. If your desired option is unavailable, please contact our team for support or custom solutions.

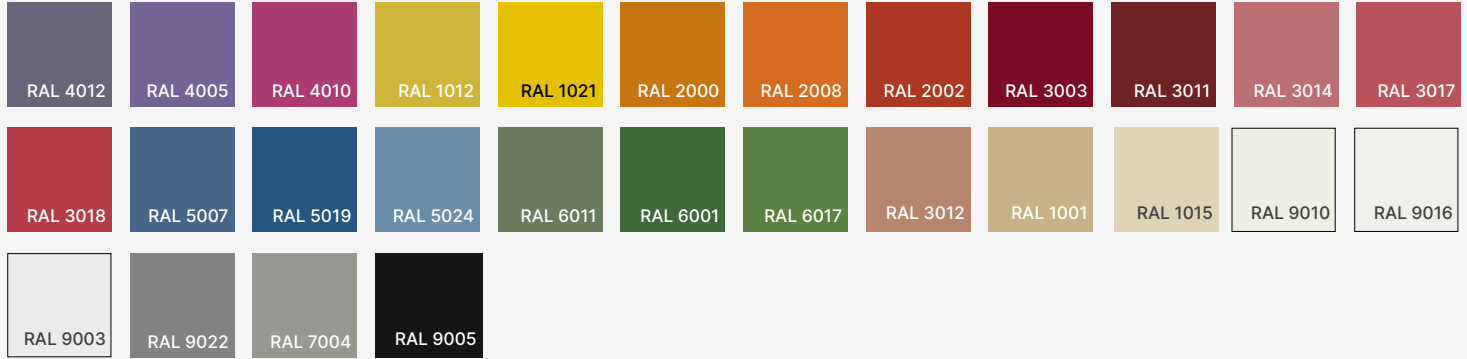
Code	Diameter Ø	Height	Material
<input checked="" type="checkbox"/> ALR Catenary System	<input type="checkbox"/> 11 11.8" <input type="checkbox"/> Cus Custom on request	<input type="checkbox"/> 9 9.49" <input type="checkbox"/> Cus Custom on request	<input checked="" type="checkbox"/> SS Stainless steel
CCT	Wattage / Lumens	Light Distribution	Dimming
<input type="checkbox"/> 22 2200K	<input type="checkbox"/> 12 15 W / 1200 lm	<input type="checkbox"/> SP Spot (20°)	<input type="checkbox"/> NN Non-Dimmable
<input type="checkbox"/> 30 3000K	<input type="checkbox"/> 16 20 W / 1600 lm	<input type="checkbox"/> MD Medium (25°)	<input type="checkbox"/> DM 0-10V
<input type="checkbox"/> 35 3500K	<input type="checkbox"/> 24 30 W / 2400 lm	<input type="checkbox"/> FL Flood (45°)	
<input type="checkbox"/> 40 4000K	<input type="checkbox"/> Cus Custom on request	<input type="checkbox"/> Cus Custom on request	
<input type="checkbox"/> 50 5000K			
<input type="checkbox"/> Cus Custom on request			
Metal Accent Finish Option	Shade Finish Option	Electrical Cable Finish Option	
<input type="checkbox"/> ST Standard	<input type="checkbox"/> ST Standard	<input checked="" type="checkbox"/> BL Black	
<input type="checkbox"/> WE Wood effect	<input type="checkbox"/> WE Wood effect		
<input type="checkbox"/> MC Metallic	<input type="checkbox"/> MC Metallic		
<input type="checkbox"/> Cus Custom on request	<input type="checkbox"/> Cus Custom on request		

Project

Notes

Finishes

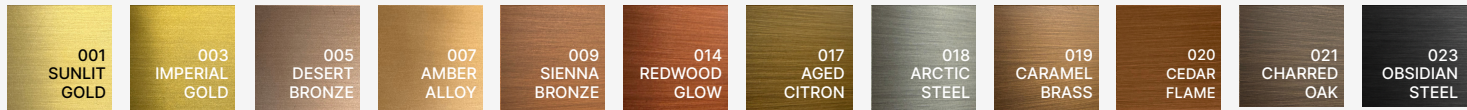
Standard finishes



Wood-effect finishes



Metallic finishes



RAL K7 CLASSIC COLORS (80-95% GLOSS): RAL_ _ _ _

All RAL Classic colors are available with no setup fee.

On your specification submittal, choose your RAL color by entering the 4-digit RAL code (e.g., RAL 3003).

