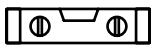


These installation suggestions consist of a common process for TRI-HEX installation. Installers should rely upon their own professional experience and understanding of their unique requirements to ensure a successful installation professional experience and understanding of their unique requirements to ensure a successful install.

### Tools Needed



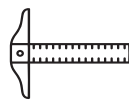
Level



Putty Knife



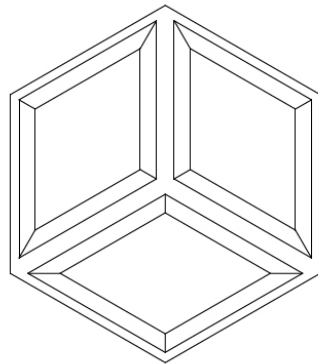
Construction Adhesive\*



Straight Edge

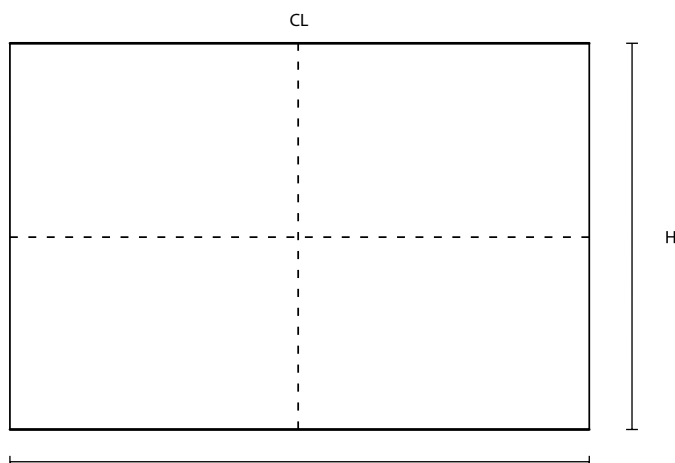
\*Liquid Nails (heavy duty) or Robert 3095 Carpet Adhesive

### Items Included

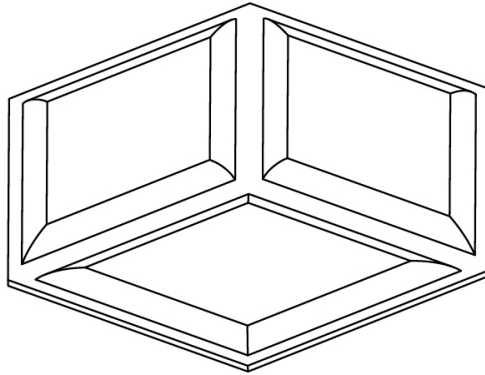


TRI-HEX tiles

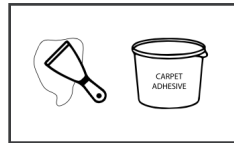
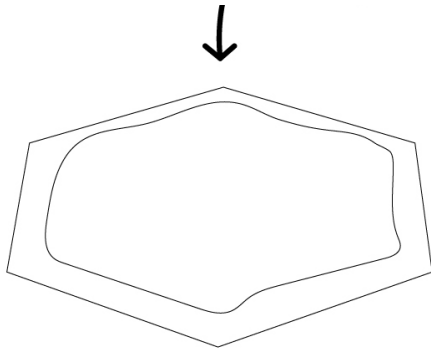
1. Measure the length and height of the wall. Find center of the wall.



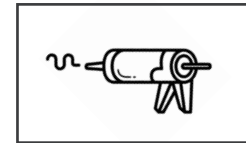
2. Lay the TRI-HEX down on the ground and flip the puffed face down.



3. Use the putty knife to place the carpet adhesive to one TRI-HEX at a time. Working on one TRI-HEX at a time, apply a liberal amount of adhesive to the back of the panel utilizing the adhesive manufacturers best practices.

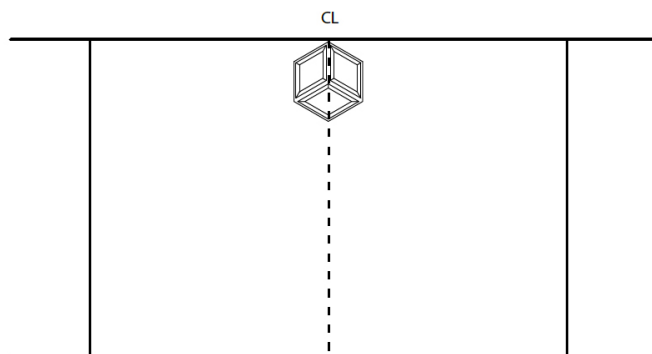


OR



\* Robert 3096 Carpet Adhesive or Liquid Nails (heavy duty)

4. Position the TRI-HEX on the wall on predetermined location. Hold it until it's dry. Continue similar procedure for the rest of the TRI-HEX's.



5. Complete the TRI-HEX wall installation.

