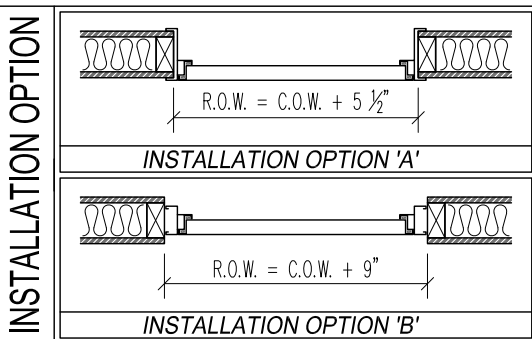
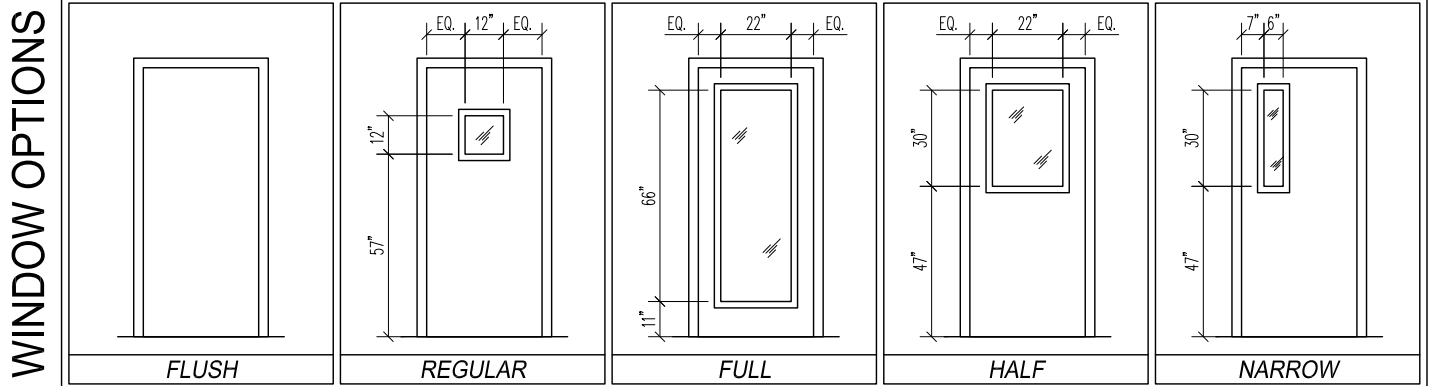
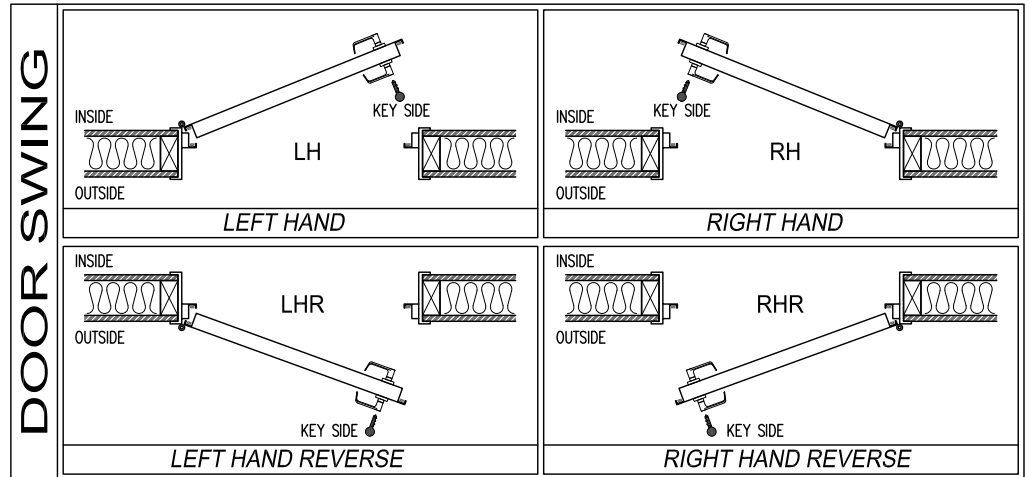
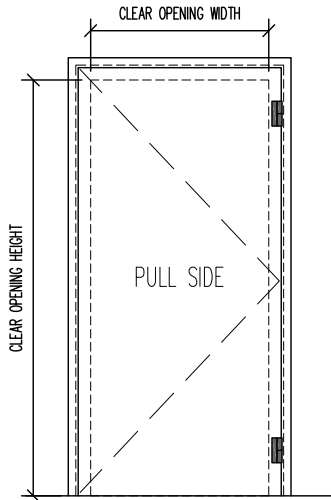


PROJECT NAME: _____ CUSTOMER: _____

APPLICATION: INTERIOR EXTERIOR FINISH: _____ NB JOB #: _____

SINGLE-LEAF DOOR SUBMITTAL

DOOR No.	DOOR SWING	WINDOW OPTION	INSTALLATION OPTION	CLEAR OPENING WIDTH	CLEAR OPENING HEIGHT	ROUGH OPENING WIDTH	ROUGH OPENING HEIGHT	WALL THICKNESS

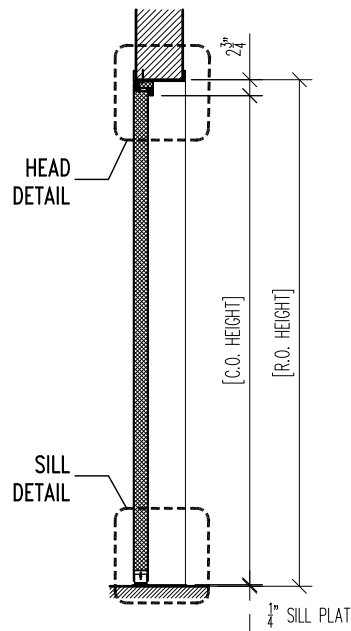
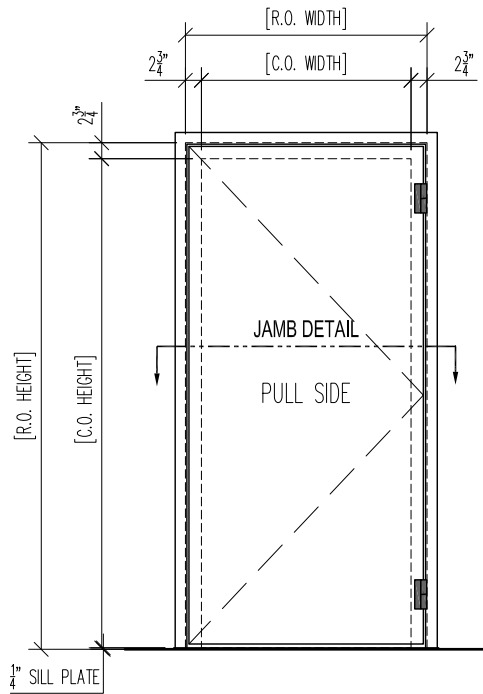


HARDWARE SCHEDULE		
HINGES	NBL-CLH-100 OFFSET CAM-LIFTING HINGES (FINISH: DULL SILVER)	QTY.
DOOR BOTTOM	MFG. STANDARD TEFLON COATED COMPRESSION SEAL	QTY. 1
HD/JMB/SEALS	MFG. STANDARD DOUBLE MAGNETIC SEALS	as req'd
THRESHOLD	ONE-PIECE 1/4" ALUMINUM SILL PLATE	QTY. 1

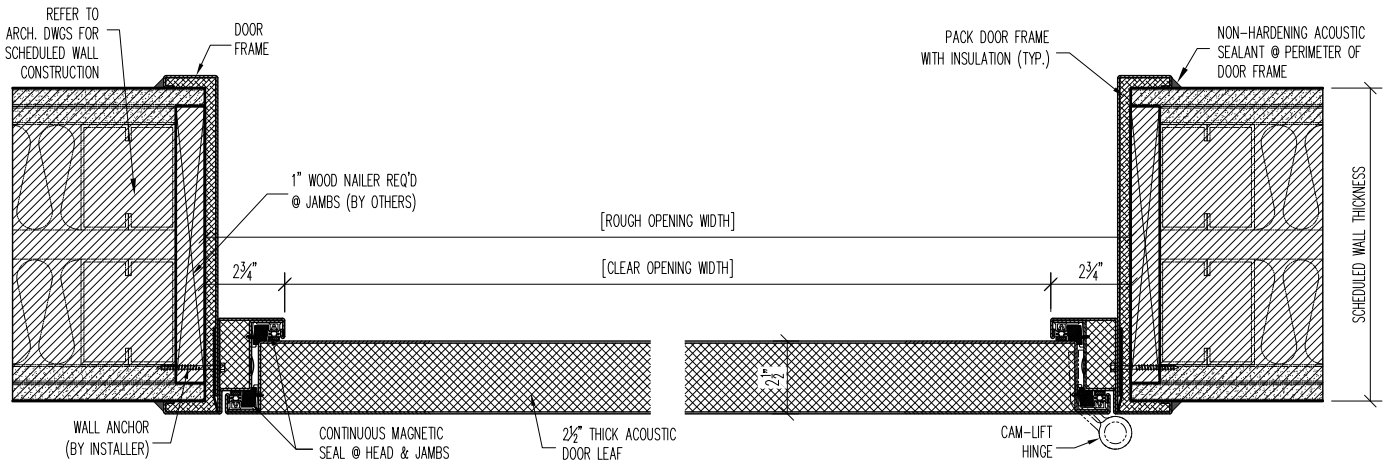
NOTES: _____

<h3>STC-51</h3> <h2>SINGLE-LEAF DOOR SPECIFICATIONS</h2>	PROJECT:	TYPE:	
	SUBMITTED BY:	DATE:	ISSUE:
	APPROVED BY:	DATE:	PROJECT No.:
	PROJ. MGR.	SHEET:	

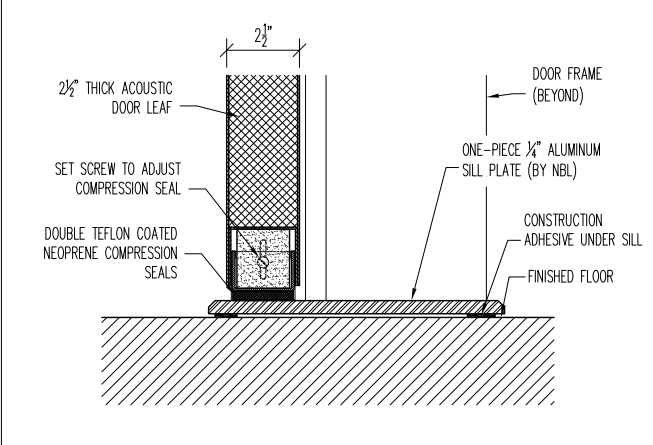
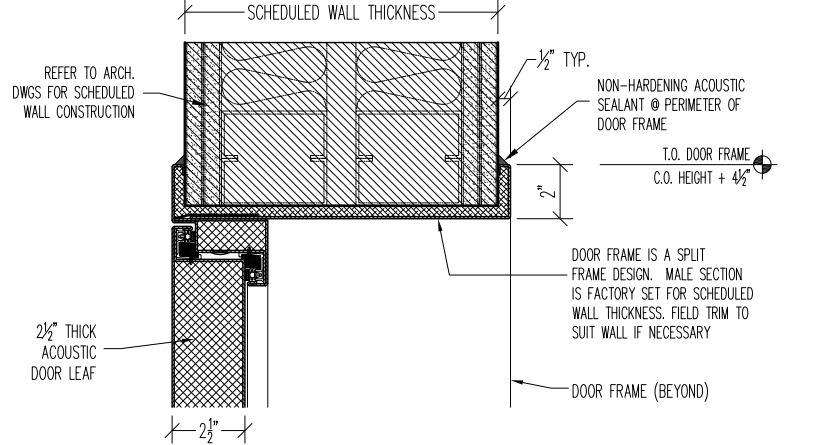
NOISE BARRIERS
 401 AIRPORT DRIVE
 NORTH AURORA, IL 60532
 Phone: (847) 843-0500
 Fax: (847) 843-0501
www.noisebarriers.com



AS SHOWN @ DOORS		
OPP. HAND @ DOORS		



1 JAMB DETAIL



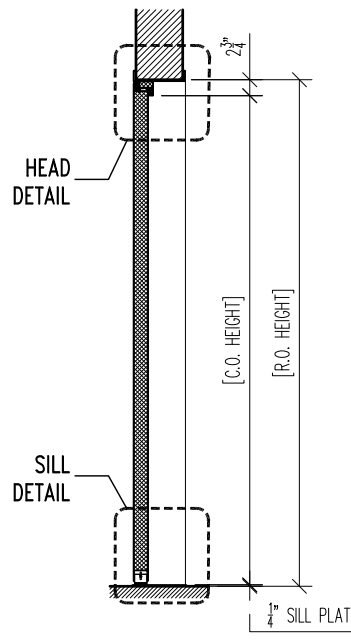
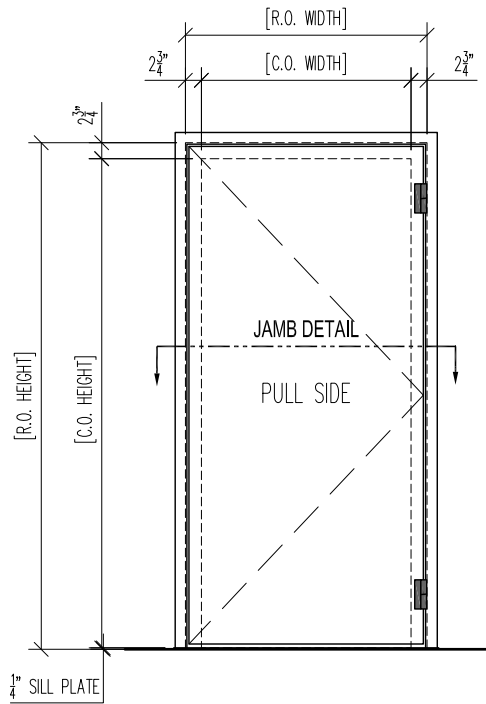
2 HEAD DETAIL

3 SILL DETAIL

**STC-51 SL-DOOR
TYPICAL - TYPE 'A'
INSTALL DETAILS**

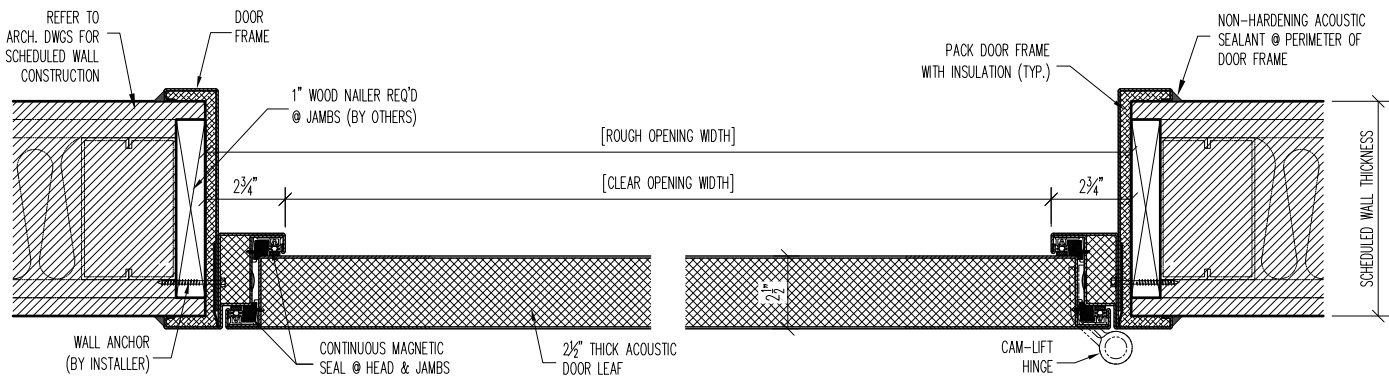
PROJECT:		TYPE:
SUBMITTED BY:	DATE:	ISSUE:
APPROVED BY:	DATE:	PROJECT No.:
PROJ. MGR.	SHEET:	

NOISE BARRIERS
401 AIRPORT DRIVE
NORTH AURORA, IL 60532
Phone: (847) 843-0500
Fax: (847) 843-0501
www.noisebarriers.com

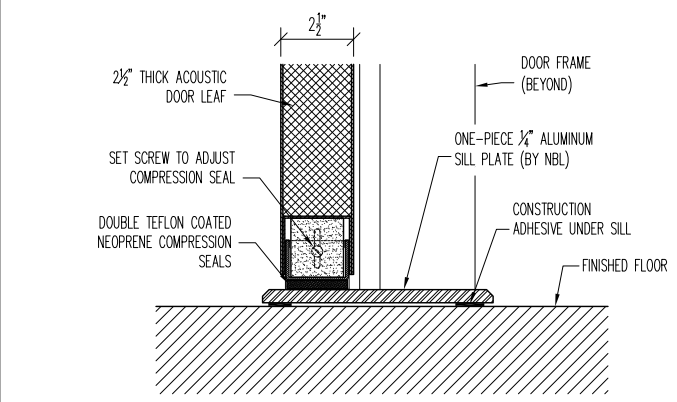
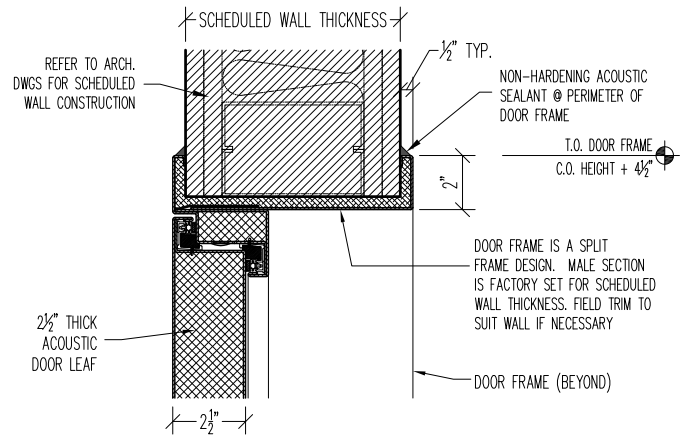


AS SHOWN @ DOORS		

OPP. HAND @ DOORS		



1 JAMB DETAIL



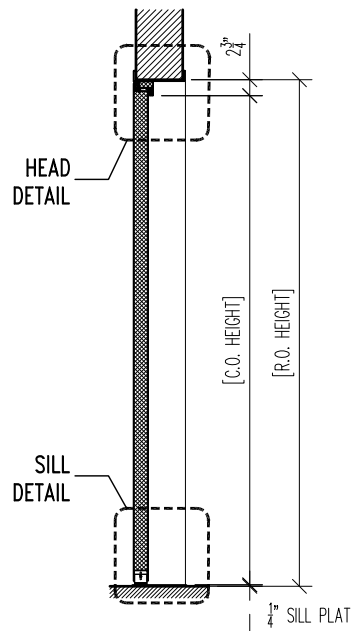
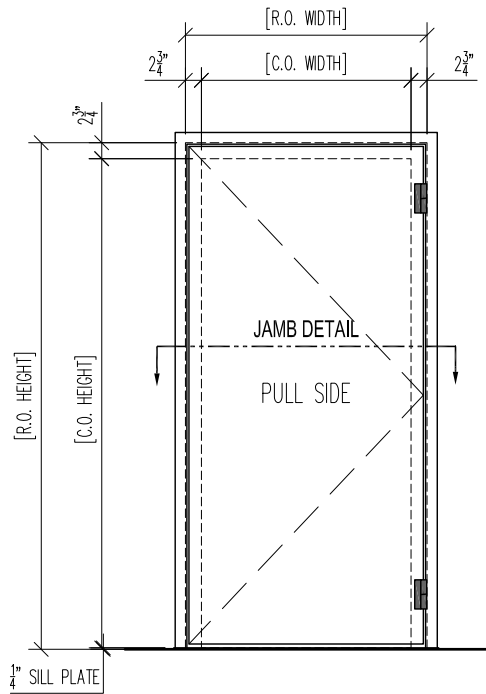
2 HEAD DETAIL

3 SILL DETAIL

**STC-51 SL-DOOR
TYPICAL - TYPE 'A'
INSTALL DETAILS**

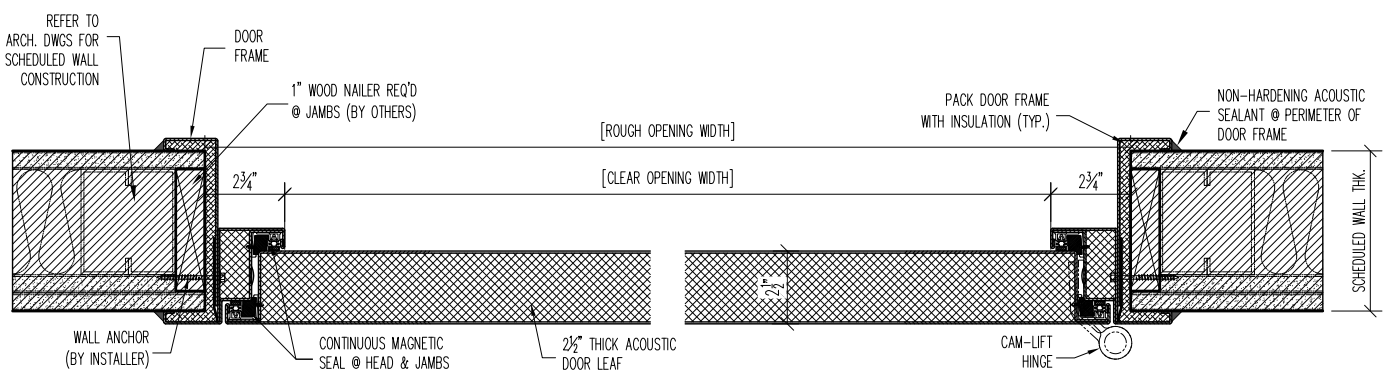
PROJECT:		TYPE:
SUBMITTED BY:	DATE:	ISSUE:
APPROVED BY:	DATE:	PROJECT No.:
PROJ. MGR.	SHEET:	

NOISE BARRIERS
 401 AIRPORT DRIVE
 NORTH AURORA, IL 60532
 Phone: (847) 843-0500
 Fax: (847) 843-0501
 www.noisebarriers.com

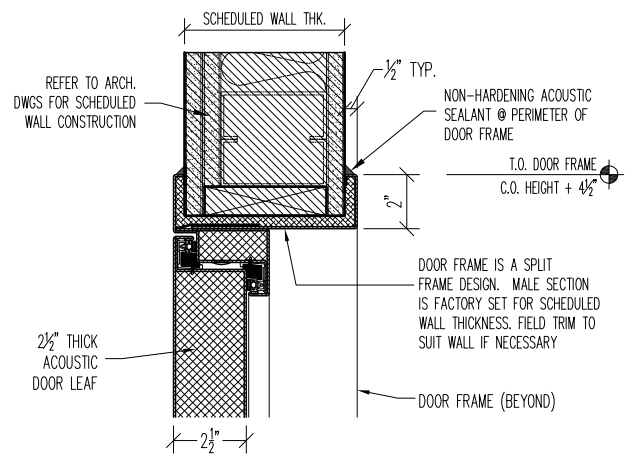


AS SHOWN @ DOORS		

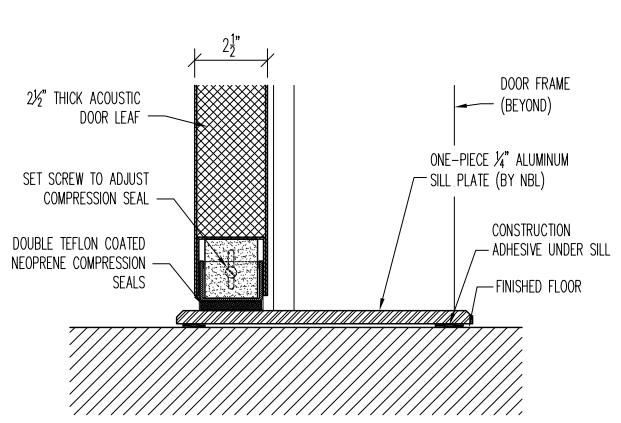
OPP. HAND @ DOORS		



1 JAMB DETAIL



3 SILL DETAIL

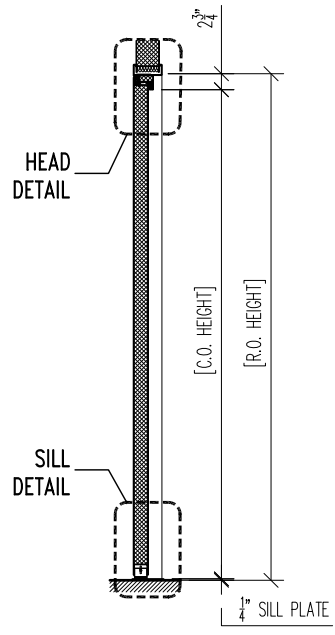
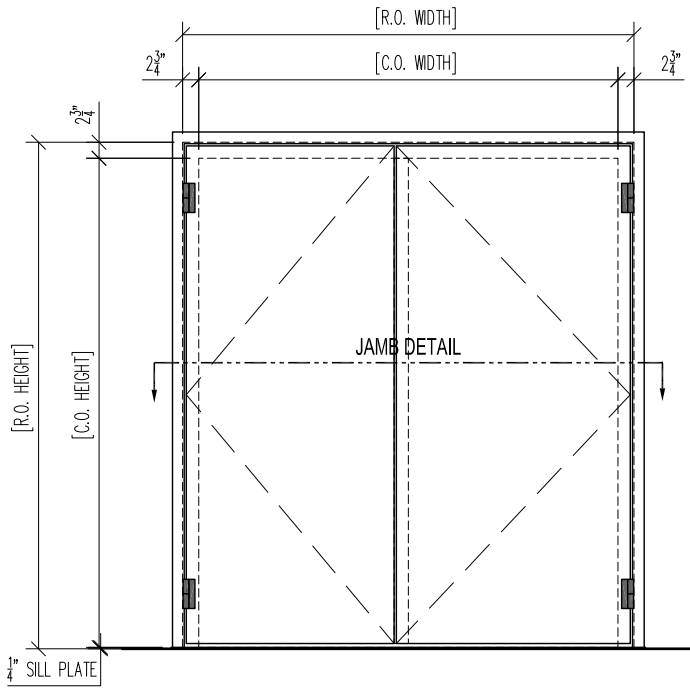


2 HEAD DETAIL

**STC-51 SL-DOOR
TYPICAL - TYPE 'A'
INSTALL DETAILS**

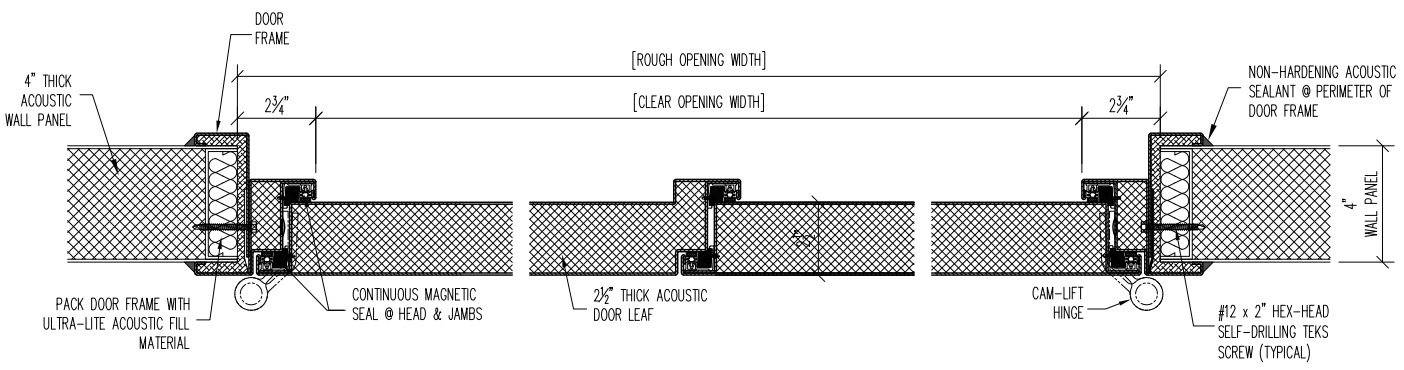
PROJECT:		TYPE:	
SUBMITTED BY:	DATE:	ISSUE:	
APPROVED BY:	DATE:	PROJECT No.:	
PROJ. MGR.	SHEET:		

NOISE BARRIERS
 401 AIRPORT DRIVE
 NORTH AURORA, IL 60532
 Phone: (847) 843-0500
 Fax: (847) 843-0501
 www.noisebarriers.com

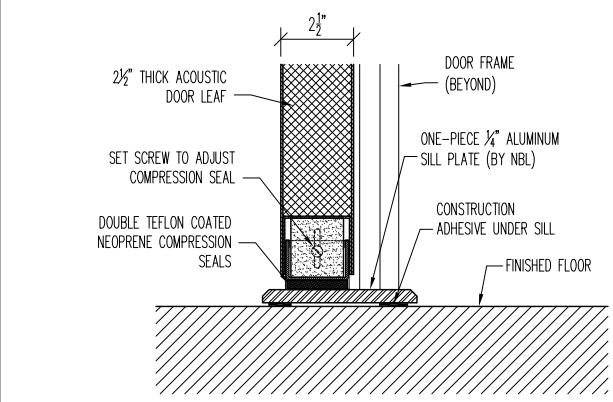
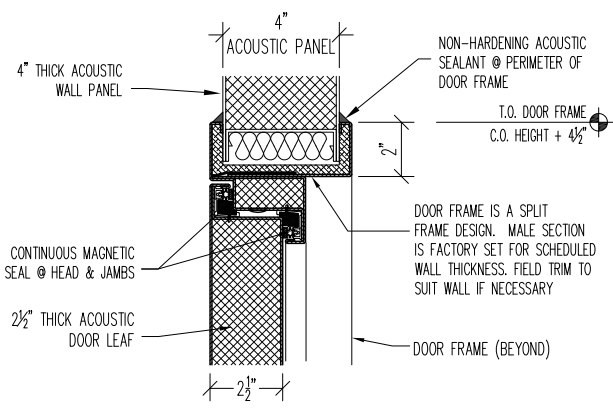


AS SHOWN @ DOORS

OPP. HAND @ DOORS



1 JAMB DETAIL



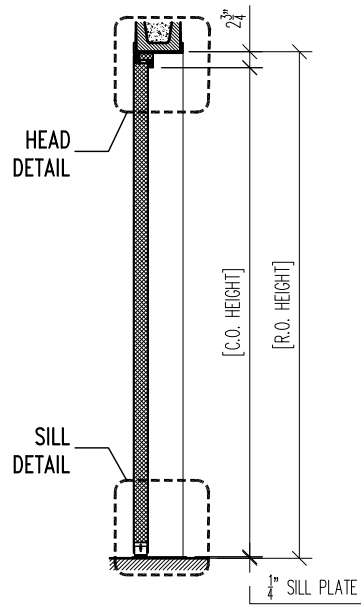
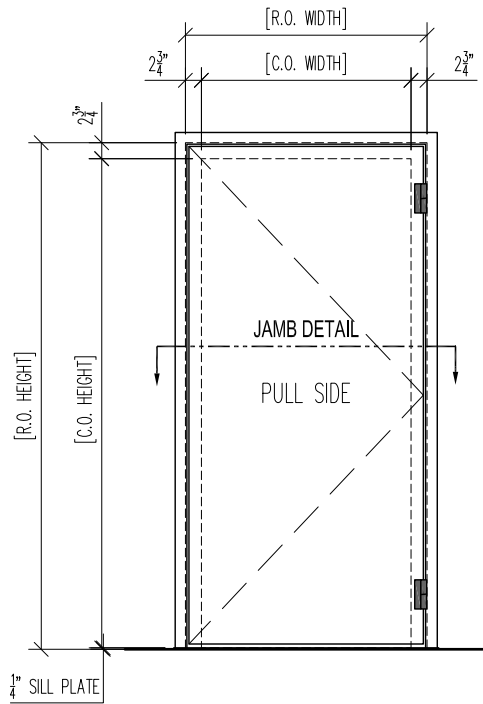
2 HEAD DETAIL

3 SILL DETAIL

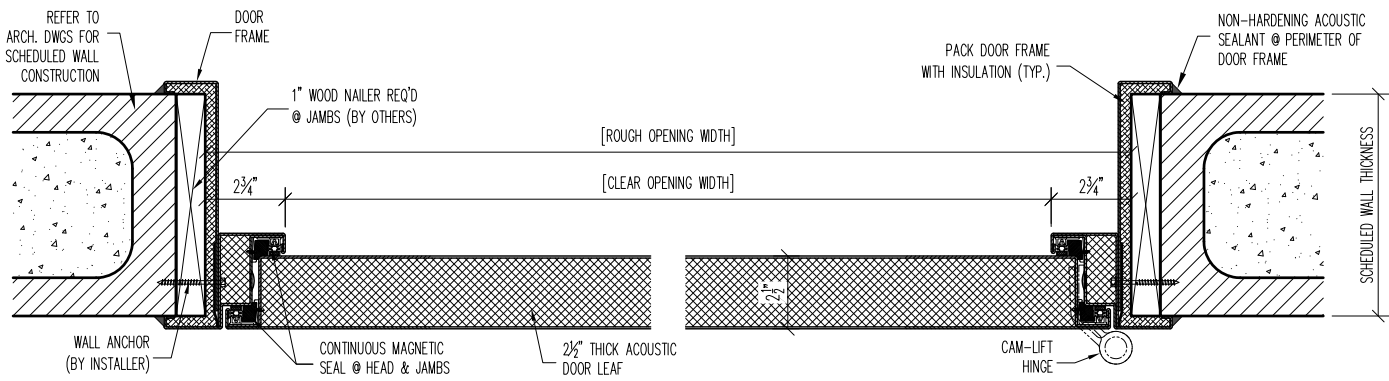
**STC-51 DL-DOOR
TYPICAL - TYPE 'A'
INSTALL DETAILS**

PROJECT:		TYPE:
SUBMITTED BY:	DATE:	ISSUE:
APPROVED BY:	DATE:	PROJECT No.:
PROJ. MGR.	SHEET:	

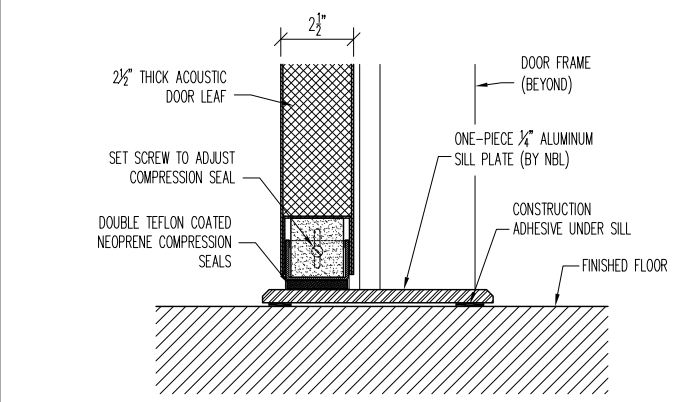
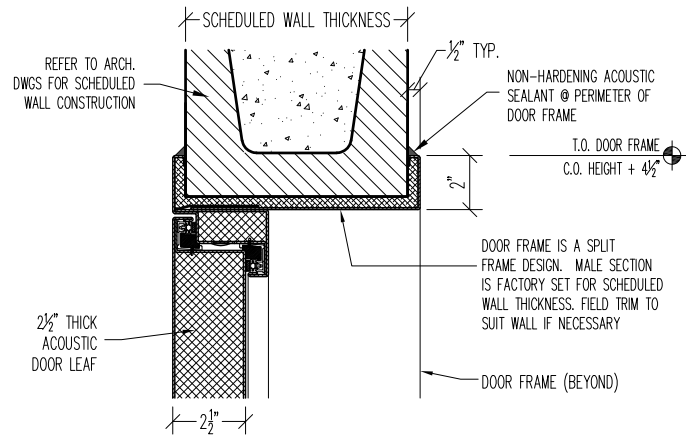
NOISE BARRIERS
401 AIRPORT DRIVE
NORTH AURORA, IL 60532
Phone: (847) 843-0500
Fax: (847) 843-0501
www.noisebarriers.com



AS SHOWN @ DOORS		
OPP. HAND @ DOORS		



1 JAMB DETAIL



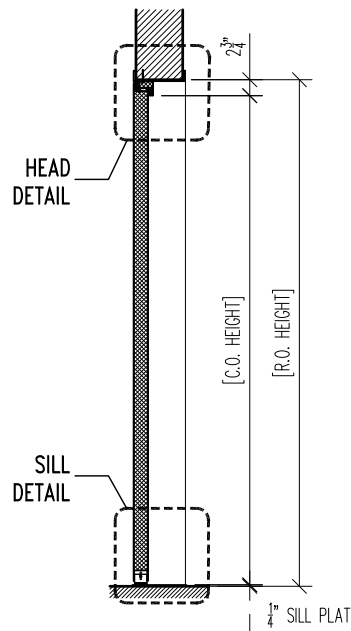
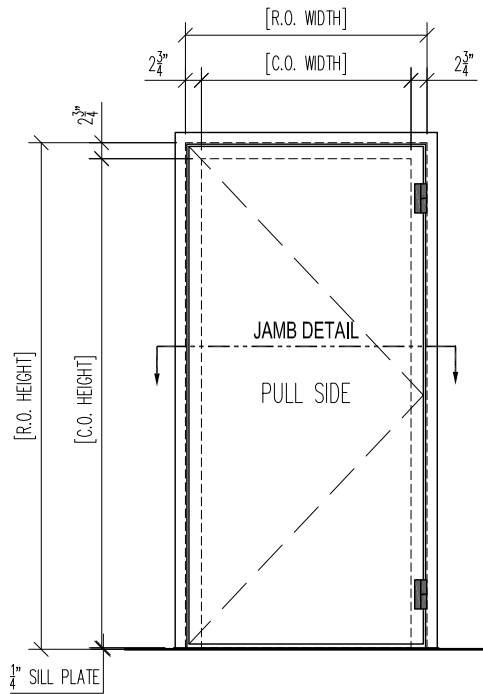
2 HEAD DETAIL

3 SILL DETAIL

**STC-51 SL-DOOR
TYPICAL - TYPE 'A'
INSTALL DETAILS**

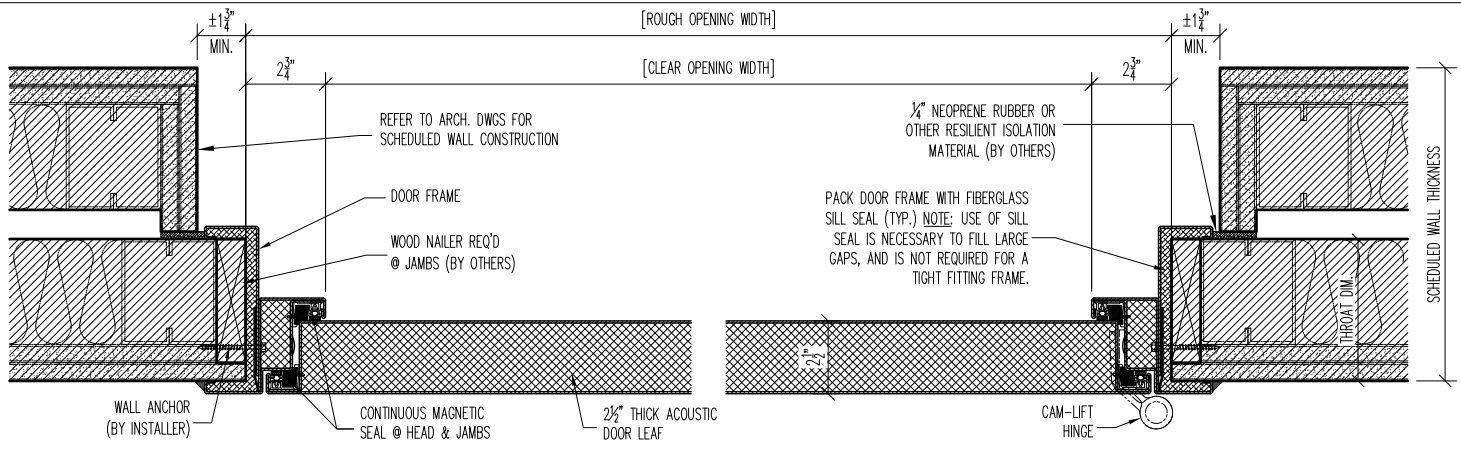
PROJECT:		TYPE:
SUBMITTED BY:	DATE:	ISSUE:
APPROVED BY:	DATE:	PROJECT No.:
PROJ. MGR.	SHEET:	

NOISE BARRIERS
401 AIRPORT DRIVE
NORTH AURORA, IL 60532
Phone: (847) 843-0500
Fax: (847) 843-0501
www.noisebarriers.com

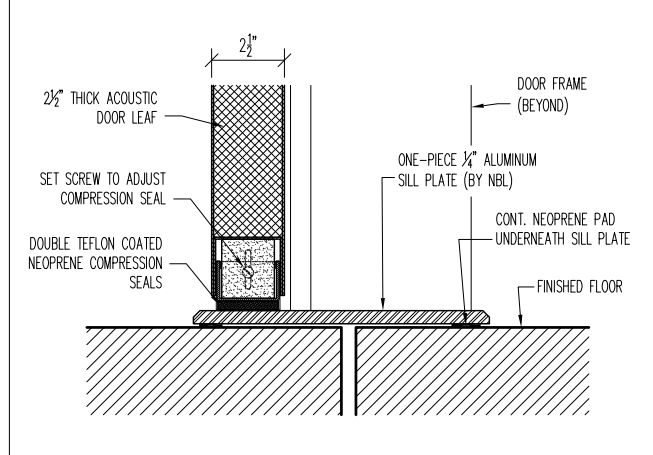
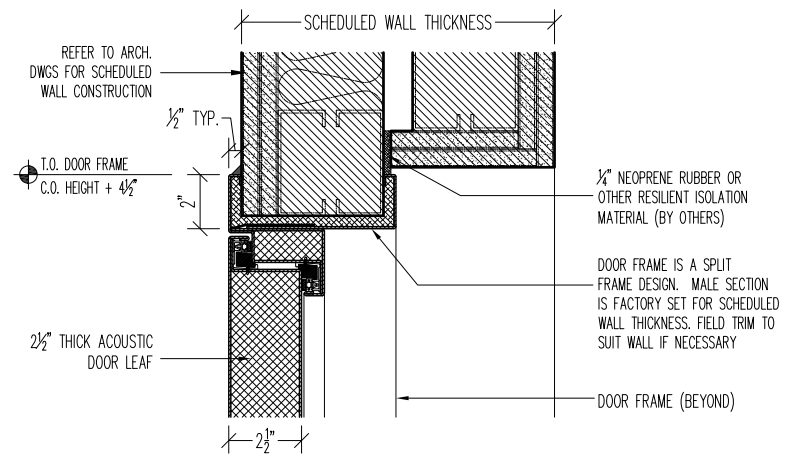


AS SHOWN @ DOORS

OPP. HAND @ DOORS



1 JAMB DETAIL



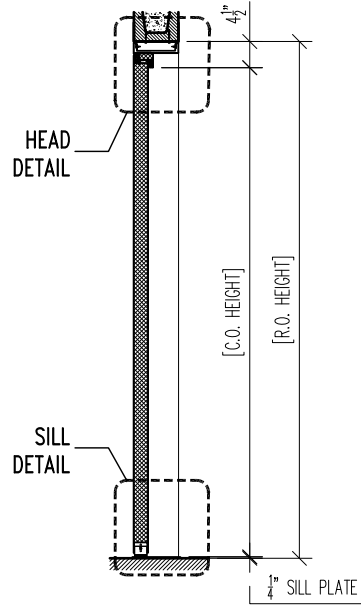
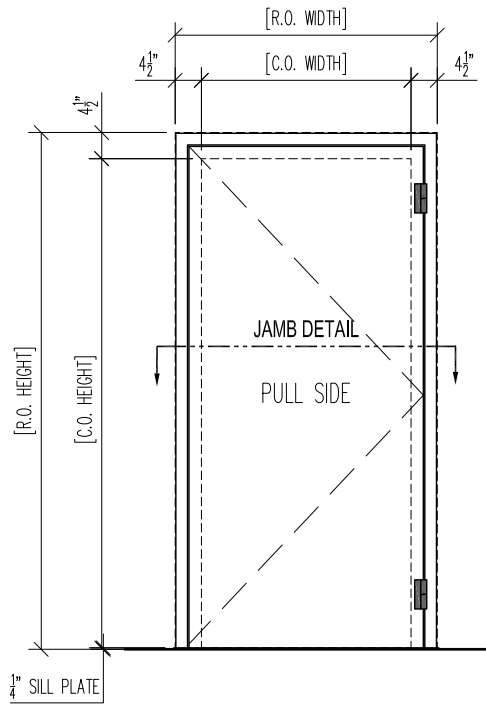
2 HEAD DETAIL

3 SILL DETAIL

**STC-51 SL-DOOR
TYPICAL - TYPE 'A'
INSTALL DETAILS**

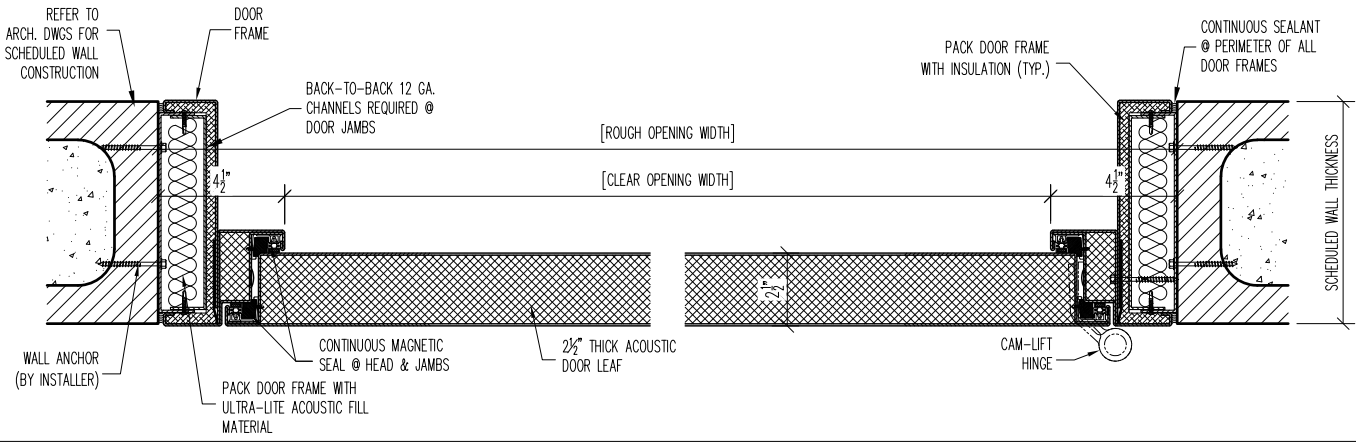
PROJECT:		TYPE:	
SUBMITTED BY:	DATE:	ISSUE:	
APPROVED BY:	DATE:	PROJECT No.:	
PROJ. MGR.	SHEET:		

NOISE BARRIERS
401 AIRPORT DRIVE
NORTH AURORA, IL 60532
Phone: (847) 843-0500
Fax: (847) 843-0501
www.noisebarriers.com

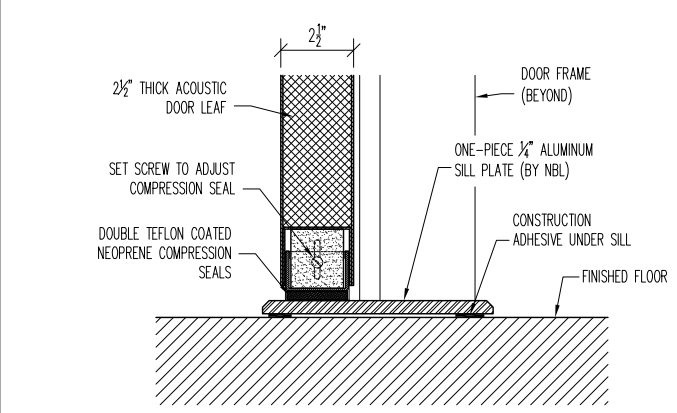
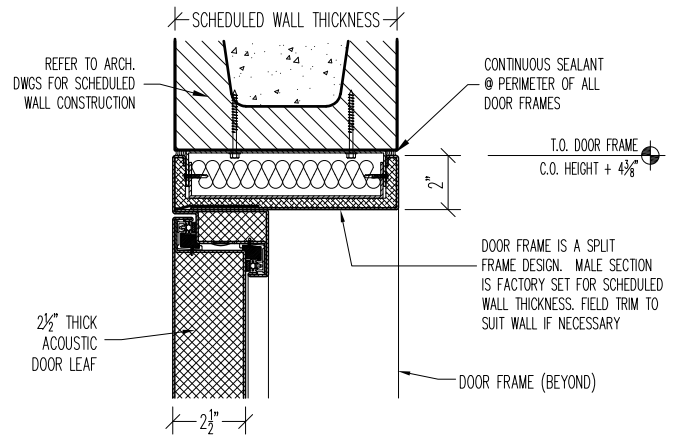


AS SHOWN @ DOORS

OPP. HAND @ DOORS



1 JAMB DETAIL



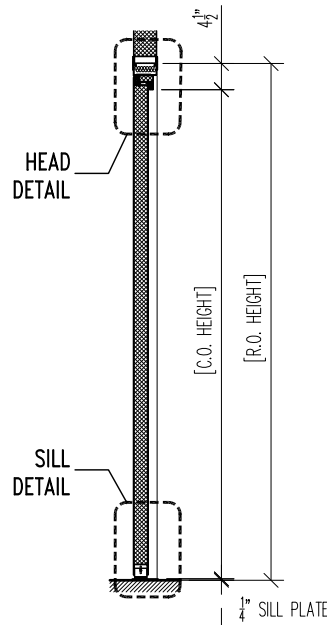
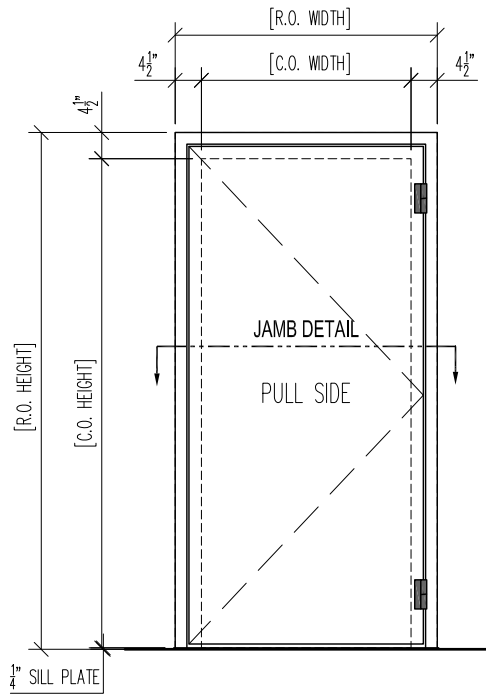
2 HEAD DETAIL

3 SILL DETAIL

STC-51 SL-DOOR
TYPICAL - TYPE 'B'
INSTALL DETAILS

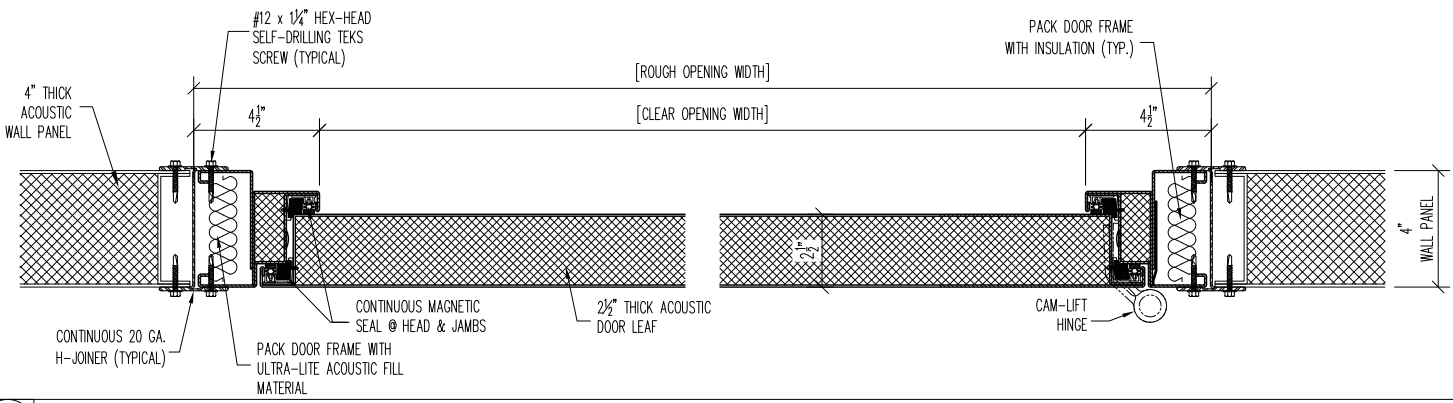
PROJECT:		TYPE:
SUBMITTED BY:	DATE:	ISSUE:
APPROVED BY:	DATE:	PROJECT No.:
PROJ. MGR.	SHEET:	

NOISE BARRIERS
401 AIRPORT DRIVE
NORTH AURORA, IL 60532
Phone: (847) 843-0500
Fax: (847) 843-0501
www.noisebarriers.com

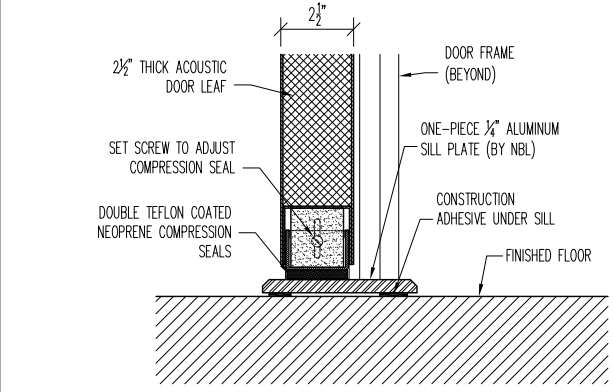
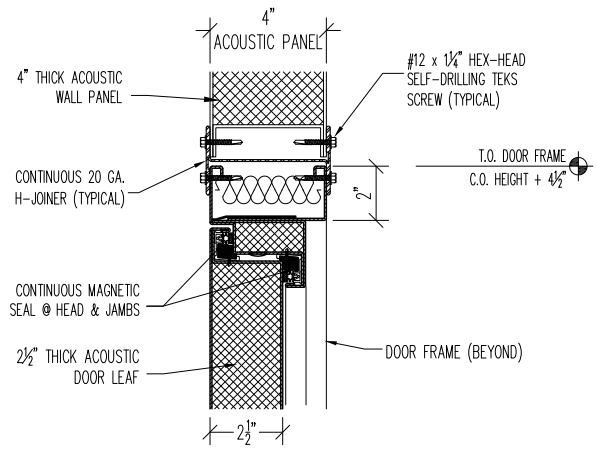


AS SHOWN @ DOORS

OPP. HAND @ DOORS



1 JAMB DETAIL



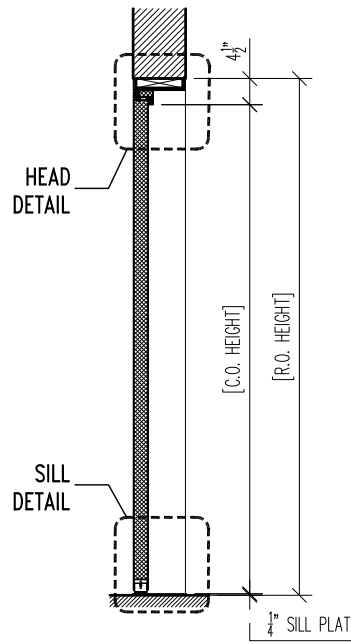
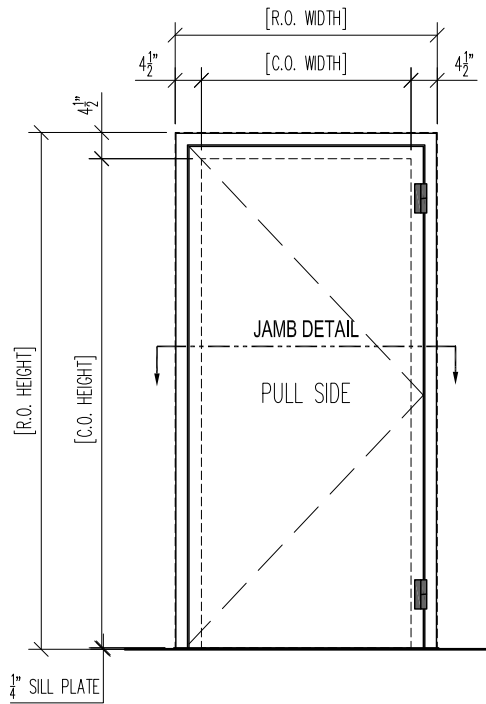
2 HEAD DETAIL

3 SILL DETAIL

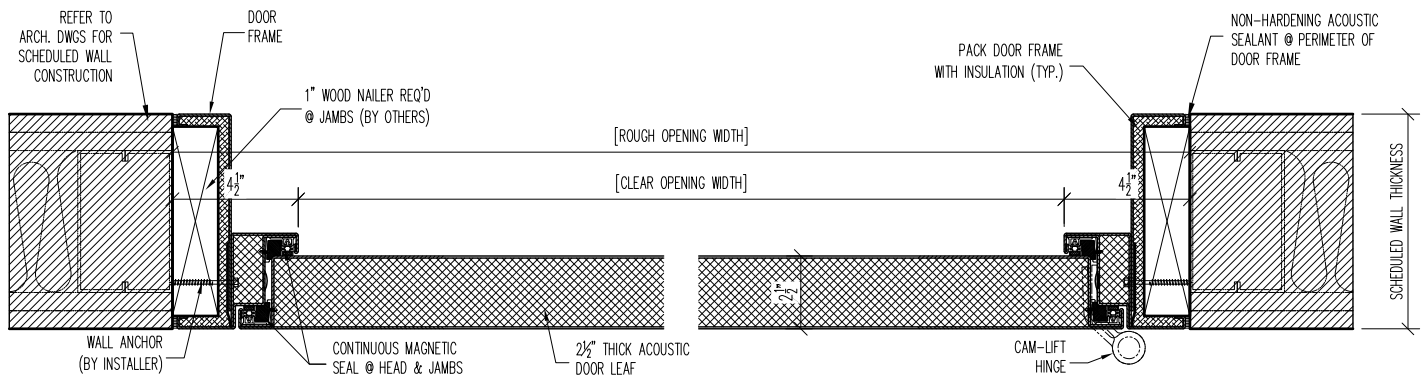
**STC-51 SL-DOOR
TYPICAL - TYPE 'B'
INSTALL DETAILS**

PROJECT:		TYPE:	
SUBMITTED BY:	DATE:	ISSUE:	
APPROVED BY:	DATE:	PROJECT No.:	
PROJ. MGR.	SHEET:		

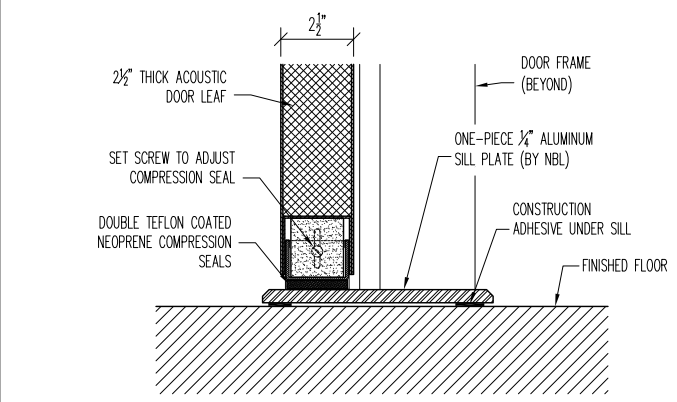
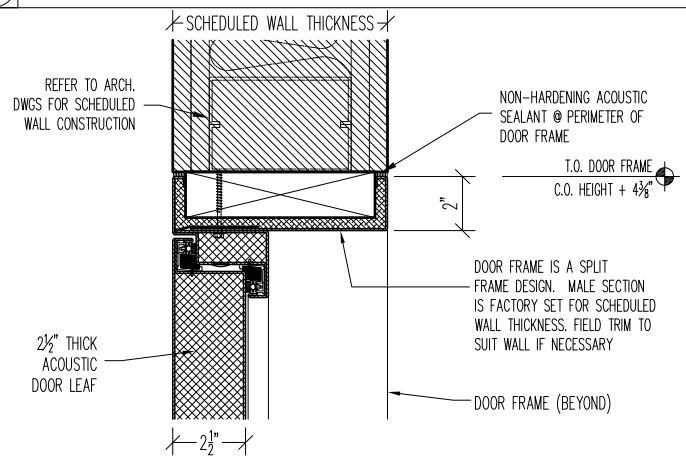
NOISE BARRIERS
401 AIRPORT DRIVE
NORTH AURORA, IL 60532
Phone: (847) 843-0500
Fax: (847) 843-0501
www.noisebarriers.com



AS SHOWN @ DOORS		
OPP. HAND @ DOORS		



1 JAMB DETAIL



2 HEAD DETAIL

3 SILL DETAIL

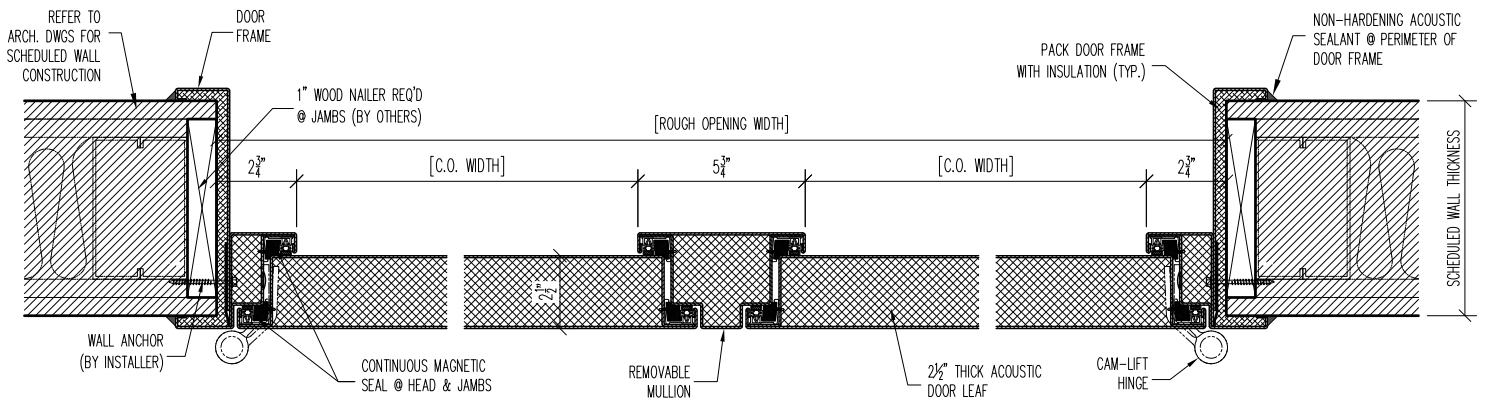
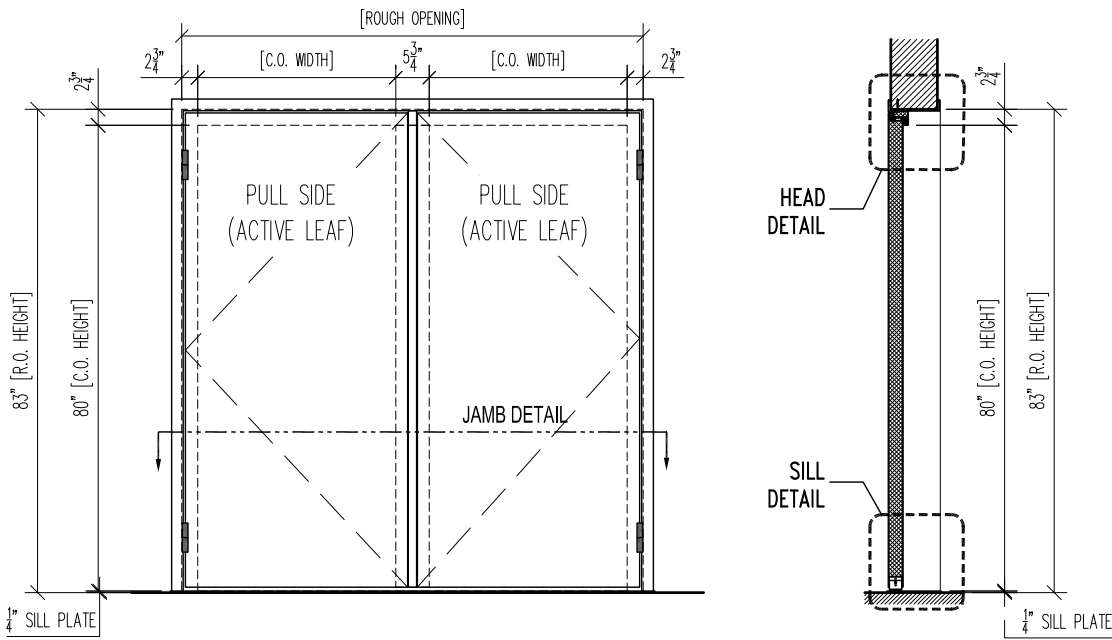
**STC-51 SL-DOOR
TYPICAL - TYPE 'B'
INSTALL DETAILS**

PROJECT:		TYPE:
SUBMITTED BY:	DATE:	ISSUE:
APPROVED BY:	DATE:	PROJECT No.:
PROJ. MGR.	SHEET:	

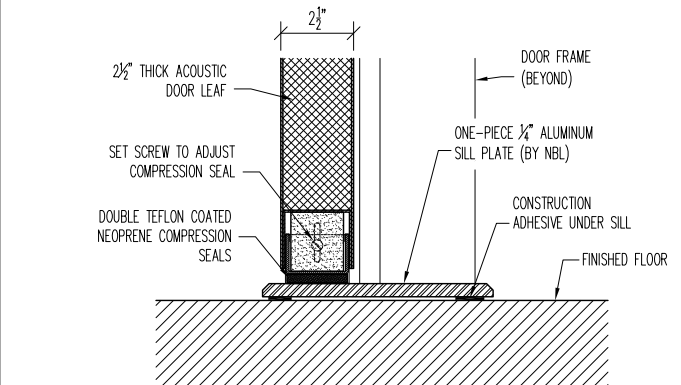
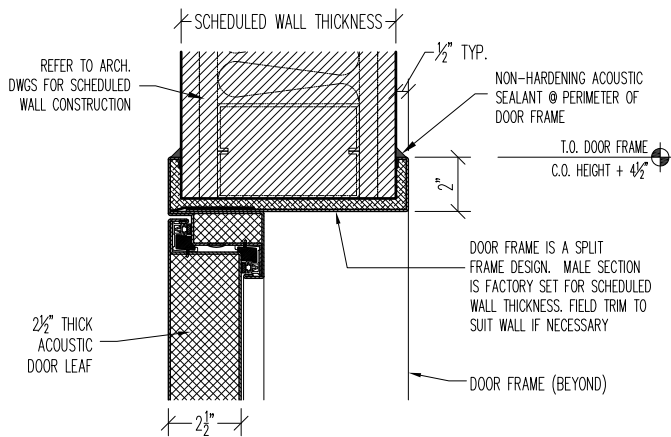
NOISE BARRIERS
 401 AIRPORT DRIVE
 NORTH AURORA, IL 60532
 Phone: (847) 843-0500
 Fax: (847) 843-0501
 www.noisebarriers.com

AS SHOWN @ DOORS

OPP. HAND @ DOORS



1 JAMB DETAIL



2 HEAD DETAIL

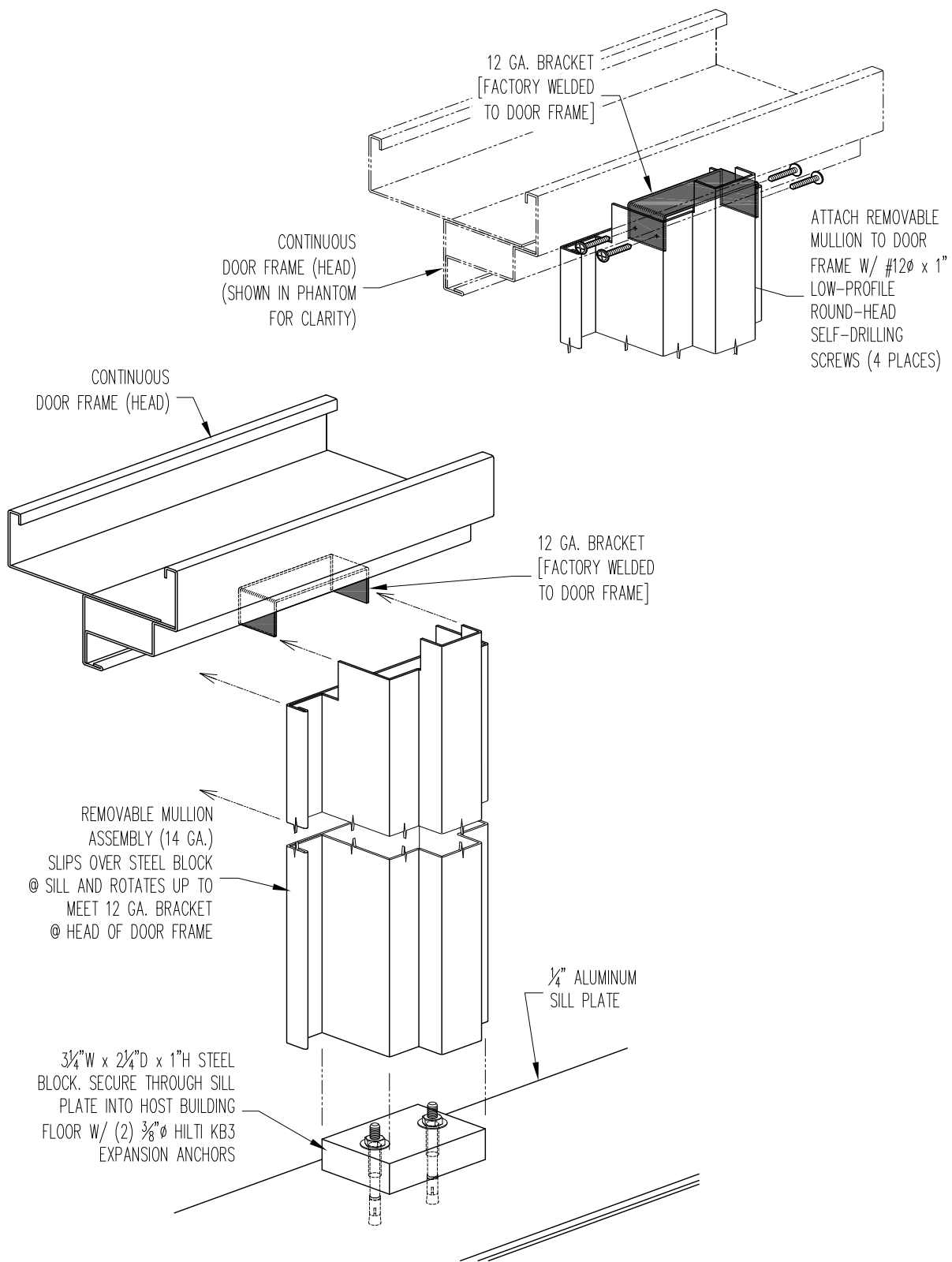
3 SILL DETAIL

STC-51 DOUBLE-LEAF DOOR
W/ REMOVABLE MULLION
INSTALL DETAILS

PROJECT:		TYPE:
SUBMITTED BY:	DATE:	ISSUE:
APPROVED BY:	DATE:	PROJECT No.:
PROJ. MGR.	SHEET: DS-9	



NOISE BARRIERS
401 AIRPORT DRIVE
NORTH AURORA, IL 60532
Phone: (847) 843-0500
Fax: (847) 843-0501
www.noisebarriers.com



1 DETAIL @ REMOVABLE MULLION

**DETAIL @
REMOVABLE
MULLION**

PROJECT:		TYPE:
SUBMITTED BY:	DATE:	ISSUE:
APPROVED BY:	DATE:	PROJECT No.:
PROJ. MGR.	SHEET: DS-X	

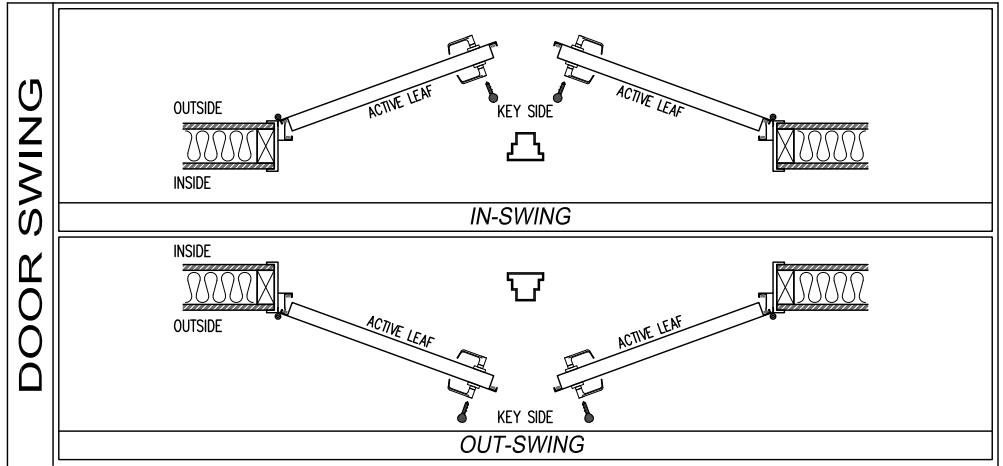
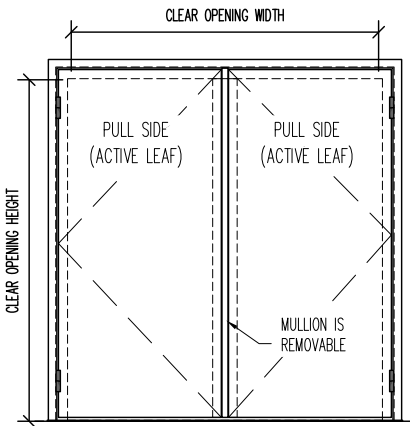
NOISE BARRIERS
 401 AIRPORT DRIVE
 NORTH AURORA, IL 60532
 Phone: (847) 843-0500
 Fax: (847) 843-0501
 www.noisebarriers.com

PROJECT NAME: _____ CUSTOMER: _____

APPLICATION: INTERIOR EXTERIOR FINISH: _____ NB JOB #: _____

DOUBLE-LEAF DOOR SPECIFICATIONS

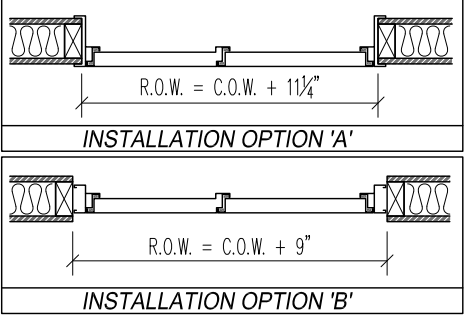
DOOR No.	DOOR SWING (ACTIVE LEAF)	WINDOW OPTION		INSTALLATION OPTION	CLEAR OPENING WIDTH	CLEAR OPENING HEIGHT	ROUGH OPENING WIDTH	ROUGH OPENING HEIGHT	THROAT DIMENSION
		ACTIVE	INACTIVE						



WINDOW OPTIONS

<i>FLUSH</i>	<i>REGULAR</i>	<i>FULL</i>	<i>HALF</i>	<i>NARROW</i>

INSTALLATION OPTION



HARDWARE SCHEDULE

HINGES	NBL-CLH-100 OFFSET CAM-LIFTING HINGES (QTY. (2) PER LEAF / FINISH: DULL SILVER)	QTY. 4
DOOR BOTTOM	MFG. STANDARD TEFLON COATED COMPRESSION SEAL	QTY. 2
HD/JMB/ASTRAGAL SEALS	MFG. STANDARD DOUBLE MAGNETIC SEALS	As Req'd
THRESHOLD	ONE-PIECE 1/4" ALUMINUM SILL PLATE	QTY. 1

NOTES: _____

**STC-51 DOUBLE-LEAF DOOR
W/ REMOVABLE MULLION
SPECIFICATIONS**

PROJECT:		TYPE:	
SUBMITTED BY:	DATE:	ISSUE:	
APPROVED BY:	DATE:	PROJECT No.:	
PROJ. MGR.	SHEET: DS-4		

NOISE BARRIERS

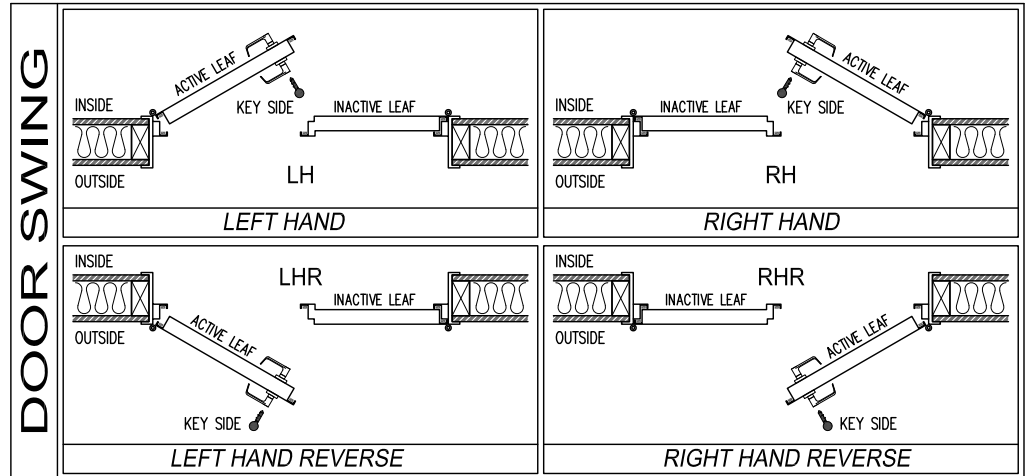
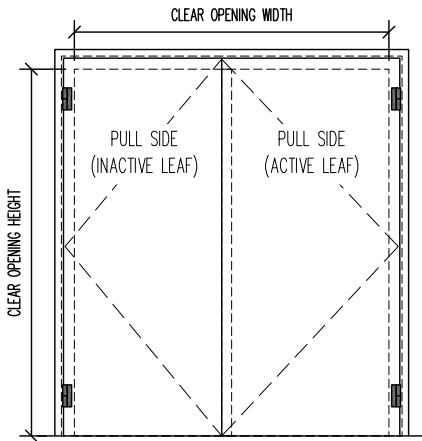
401 AIRPORT DRIVE
NORTH AURORA, IL 60532
Phone: (847) 843-0500
Fax: (847) 843-0501
www.noisebarriers.com

PROJECT NAME: _____ CUSTOMER: _____

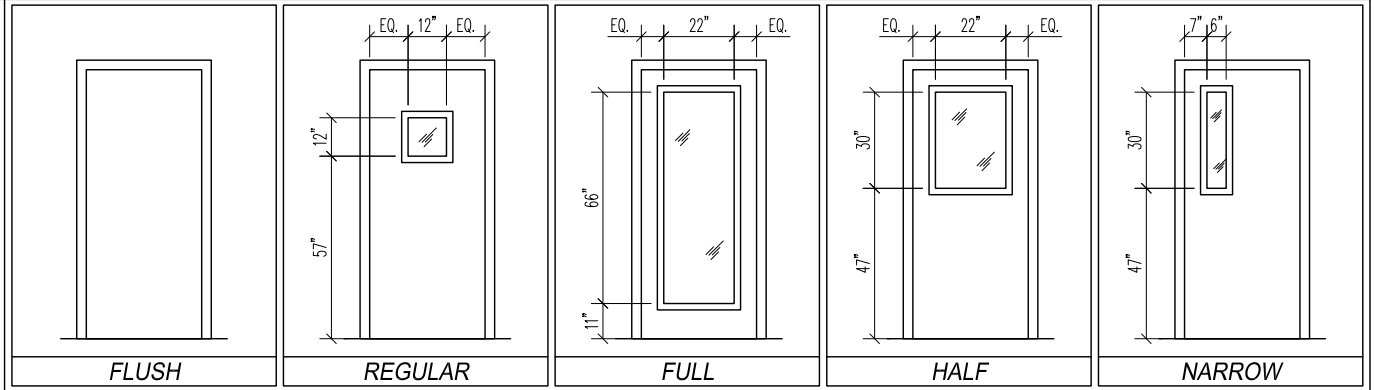
APPLICATION: INTERIOR EXTERIOR FINISH: _____ NB JOB #: _____

DOUBLE-LEAF DOOR SUBMITTAL

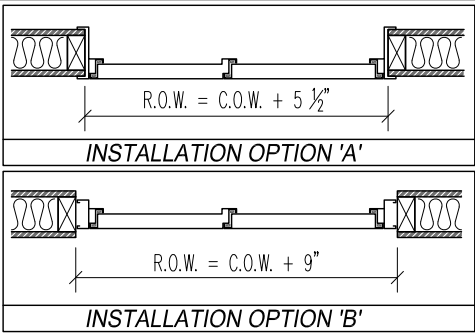
DOOR No.	DOOR SWING (ACTIVE LEAF)	WINDOW OPTION		INSTALLATION OPTION	CLEAR OPENING WIDTH	CLEAR OPENING HEIGHT	ROUGH OPENING WIDTH	ROUGH OPENING HEIGHT	WALL THICKNESS
		ACTIVE	INACTIVE						



WINDOW OPTIONS



INSTALLATION OPTION



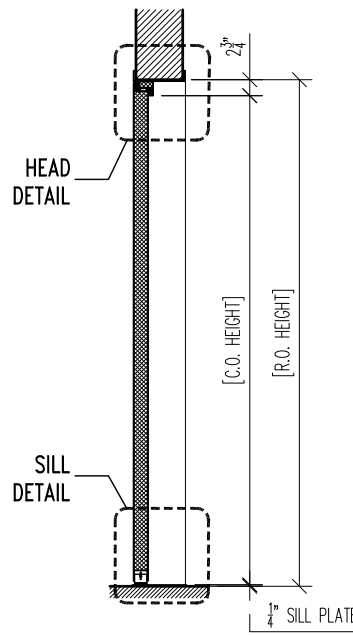
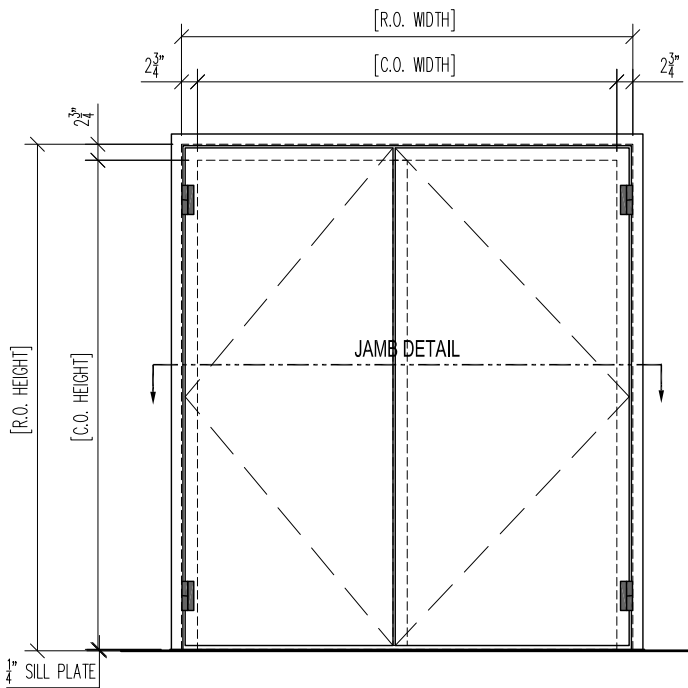
HARDWARE SCHEDULE

HINGES	NBL-CLH-100 OFFSET CAM-LIFTING HINGES (FINISH: DULL SILVER)	QTY. 2
DOOR BOTTOM	MFG. STANDARD TEFLON COATED COMPRESSION SEAL	QTY. 2
HD/JMB/ASTRAGAL SEALS	MFG. STANDARD DOUBLE MAGNETIC SEALS	as req'd
THRESHOLD	ONE-PIECE 1/4" ALUMINUM SILL PLATE	QTY. 1

NOTES: _____

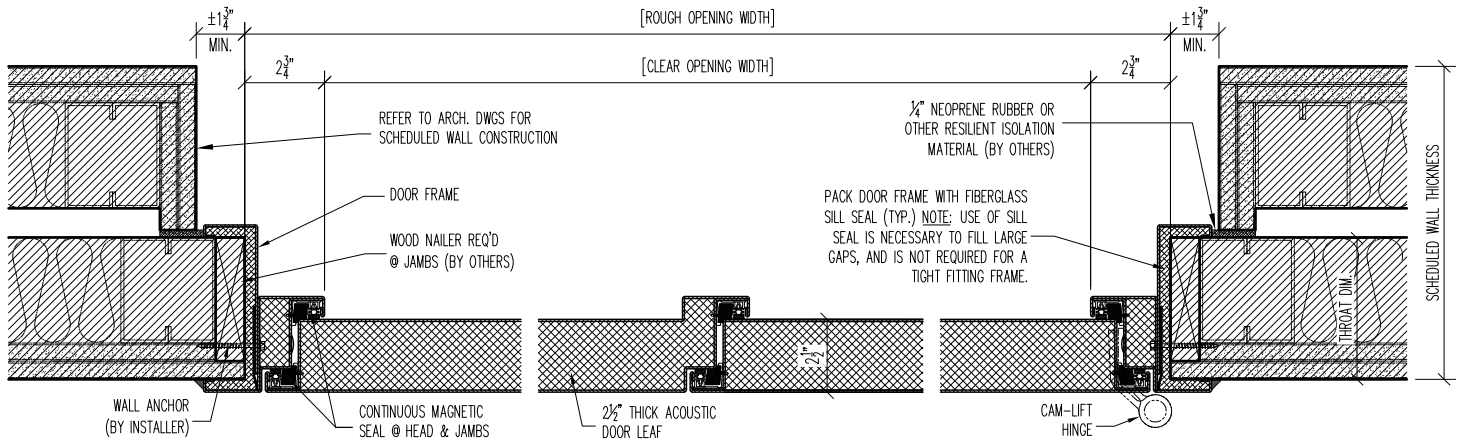
<h2 style="margin: 0;">STC-51 DOUBLE-LEAF DOOR SPECIFICATIONS</h2>	PROJECT:		TYPE:	
	SUBMITTED BY:		DATE:	ISSUE:
	APPROVED BY:		DATE:	PROJECT No.:
	PROJ. MGR.	SHEET:		

NOISE BARRIERS
 401 AIRPORT DRIVE
 NORTH AURORA, IL 60532
 Phone: (847) 843-0500
 Fax: (847) 843-0501
www.noisebarriers.com

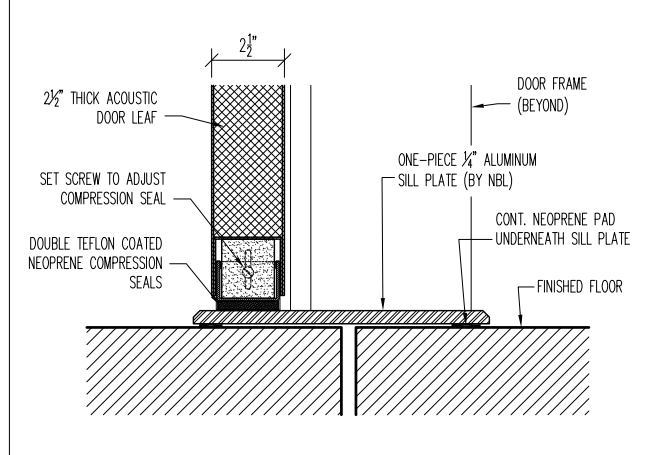
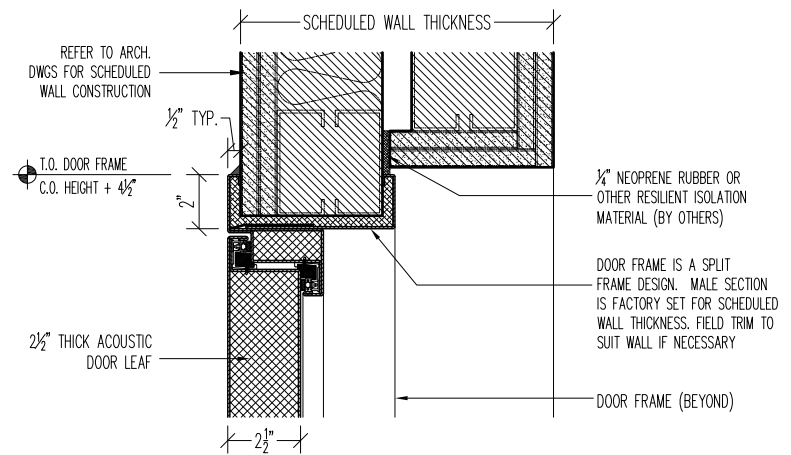


AS SHOWN @ DOORS

OPP. HAND @ DOORS



1 JAMB DETAIL



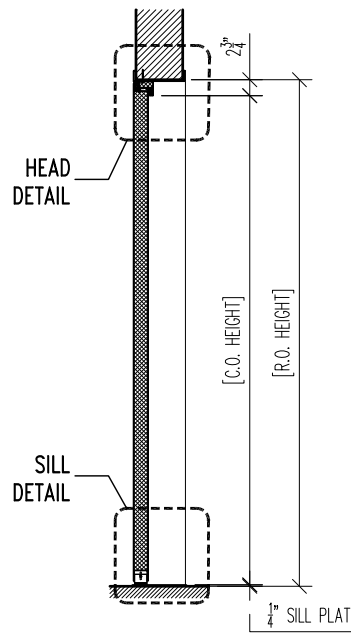
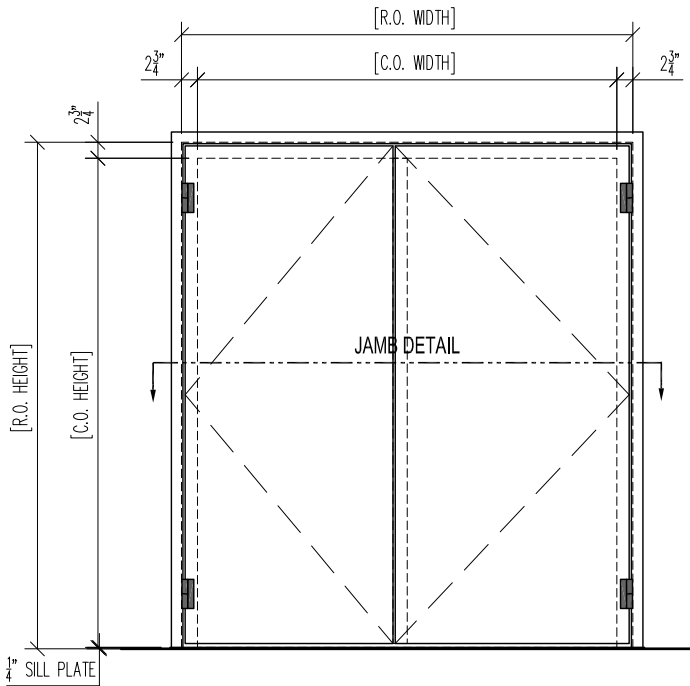
2 HEAD DETAIL

3 SILL DETAIL

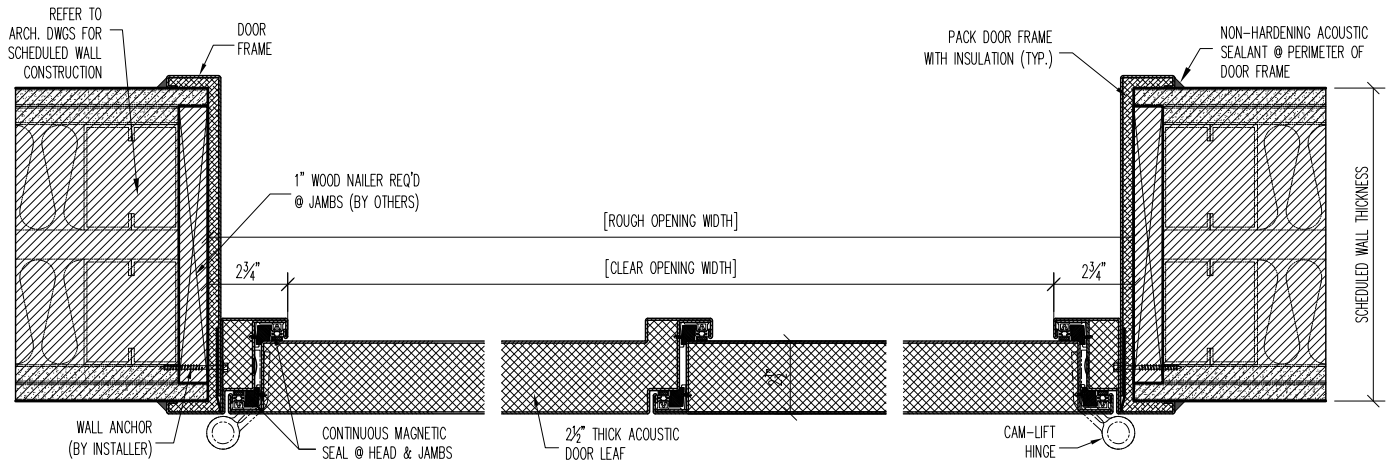
**STC-51 DL-DOOR
TYPICAL - TYPE 'A'
INSTALL DETAILS**

PROJECT:		TYPE:	
SUBMITTED BY:	DATE:	ISSUE:	
APPROVED BY:	DATE:	PROJECT No.:	
PROJ. MGR.	SHEET:		

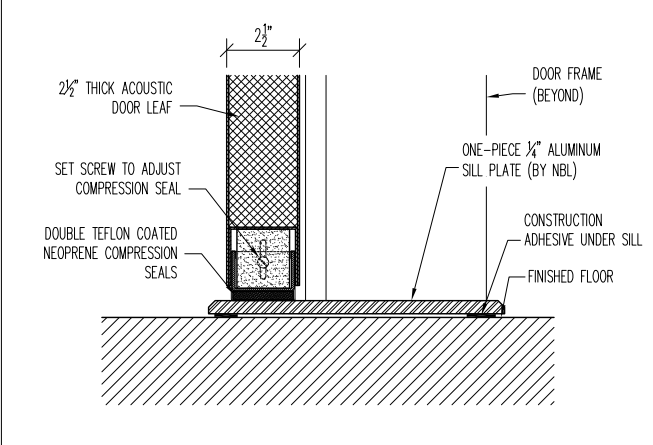
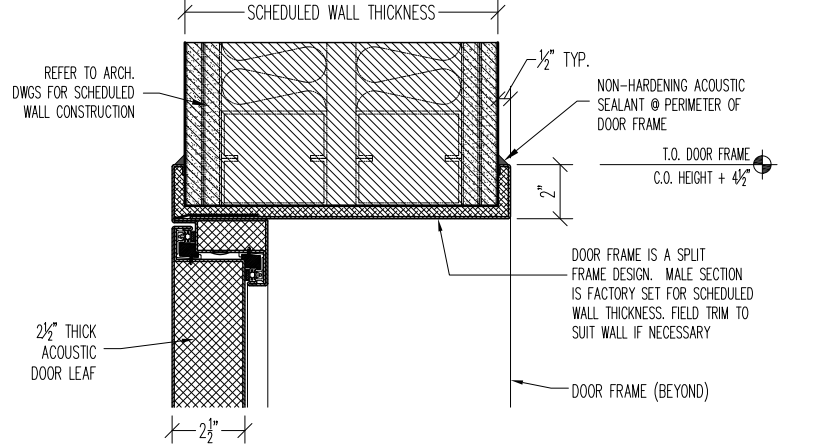
NOISE BARRIERS
401 AIRPORT DRIVE
NORTH AURORA, IL 60532
Phone: (847) 843-0500
Fax: (847) 843-0501
www.noisebarriers.com



AS SHOWN @ DOORS		
OPP. HAND @ DOORS		



1 JAMB DETAIL



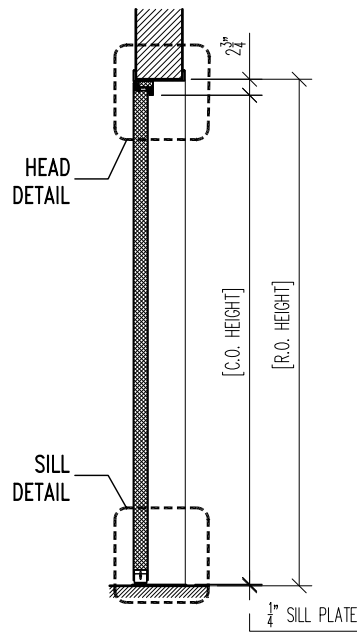
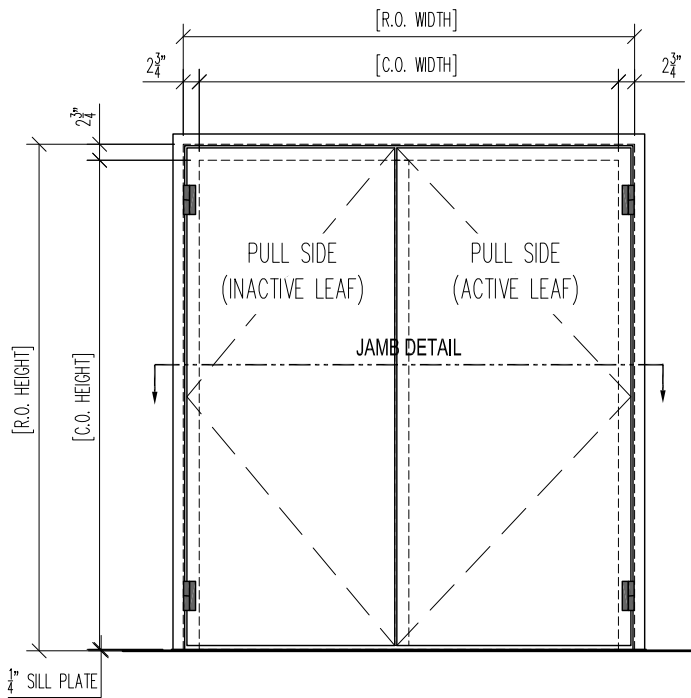
2 HEAD DETAIL

3 SILL DETAIL

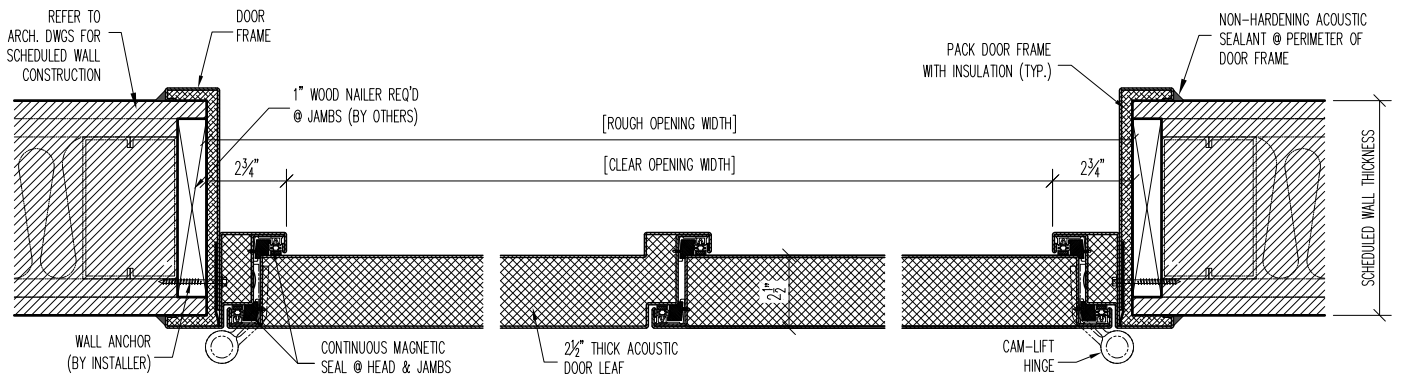
**STC-51 DL-DOOR
TYPICAL - TYPE 'A'
INSTALL DETAILS**

PROJECT:		TYPE:
SUBMITTED BY:	DATE:	ISSUE:
APPROVED BY:	DATE:	PROJECT No.:
PROJ. MGR.	SHEET:	

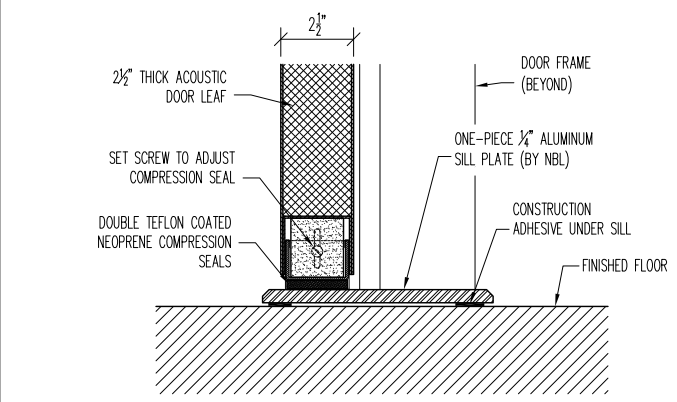
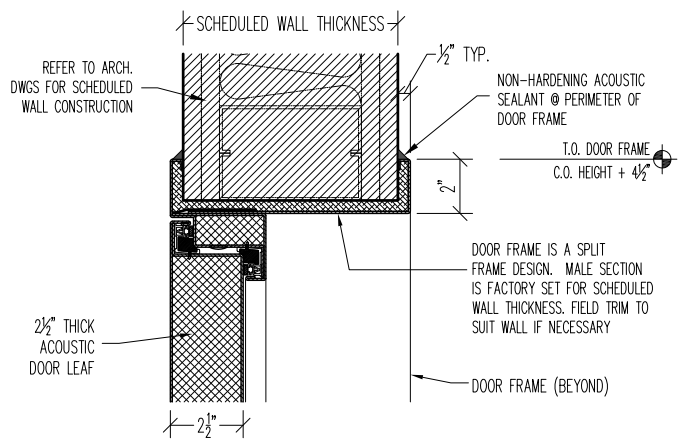
NOISE BARRIERS
 401 AIRPORT DRIVE
 NORTH AURORA, IL 60532
 Phone: (847) 843-0500
 Fax: (847) 843-0501
 www.noisebarriers.com



AS SHOWN @ DOORS		
OPP. HAND @ DOORS		



1 JAMB DETAIL



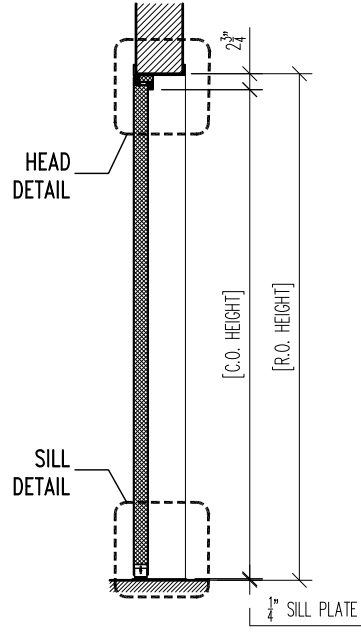
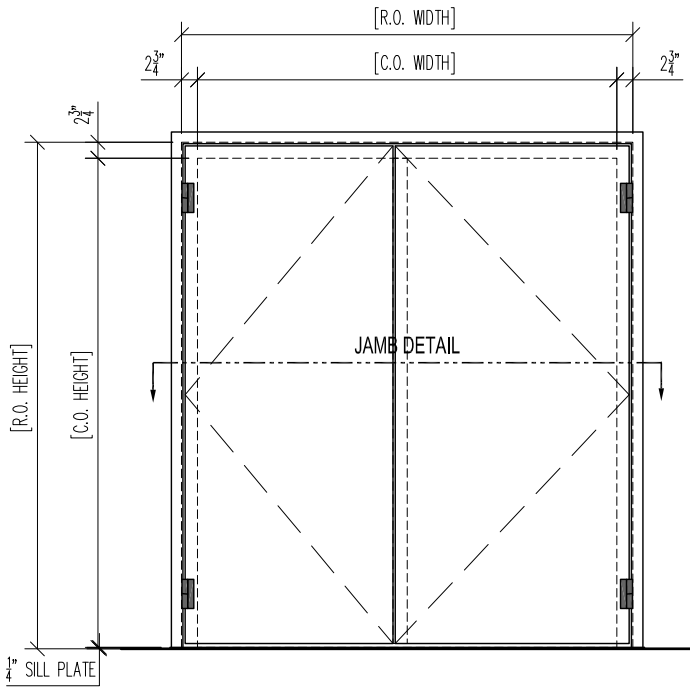
2 HEAD DETAIL

3 SILL DETAIL

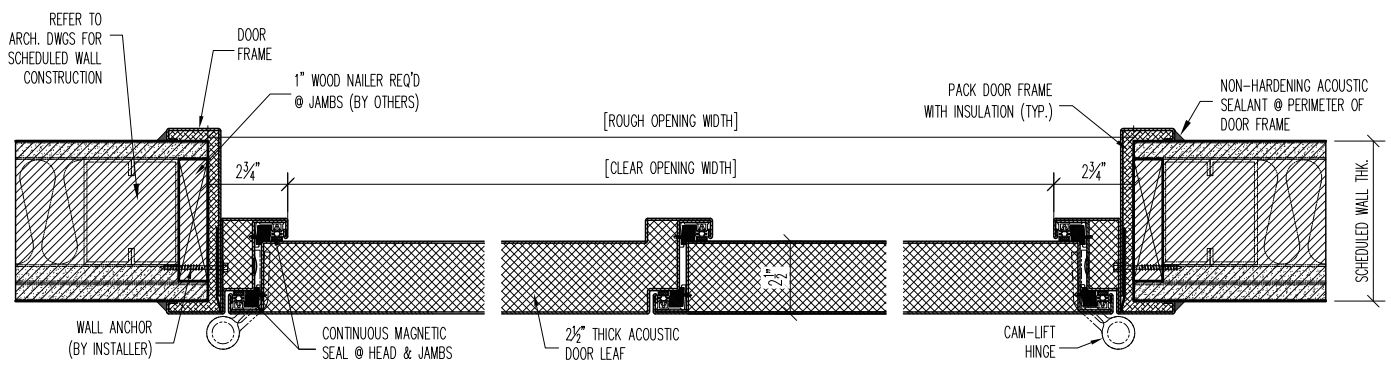
**STC-51 DL-DOOR
TYPICAL - TYPE 'A'
INSTALL DETAILS**

PROJECT:		TYPE:
SUBMITTED BY:	DATE:	ISSUE:
APPROVED BY:	DATE:	PROJECT No.:
PROJ. MGR.	SHEET:	

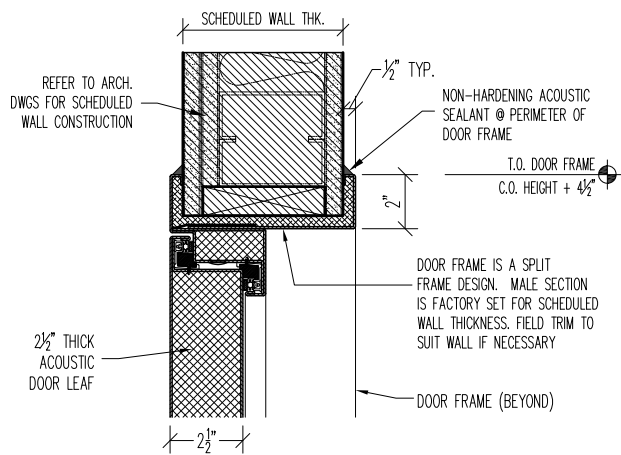
NOISE BARRIERS
401 AIRPORT DRIVE
NORTH AURORA, IL 60532
Phone: (847) 843-0500
Fax: (847) 843-0501
www.noisebarriers.com



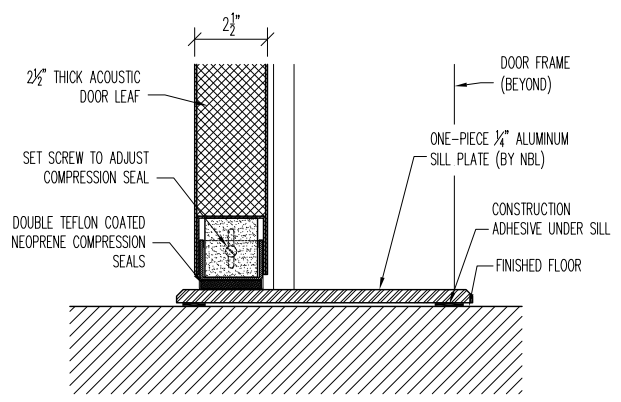
AS SHOWN @ DOORS		
OPP. HAND @ DOORS		



1 JAMB DETAIL



3 SILL DETAIL

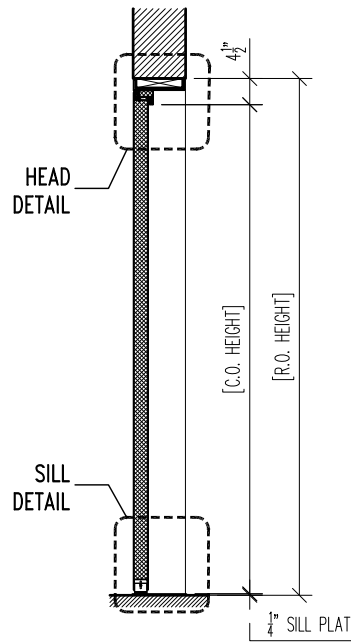
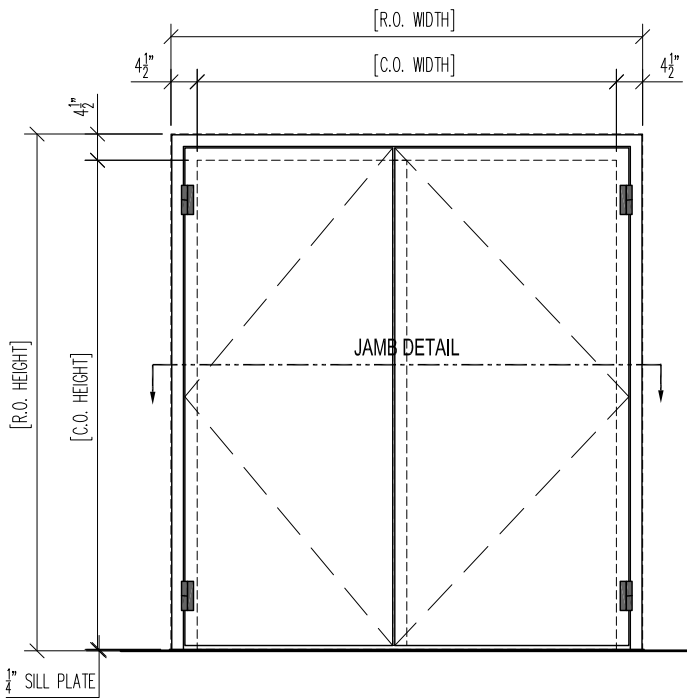


2 HEAD DETAIL

**STC-51 DL-DOOR
TYPICAL - TYPE 'A'
INSTALL DETAILS**

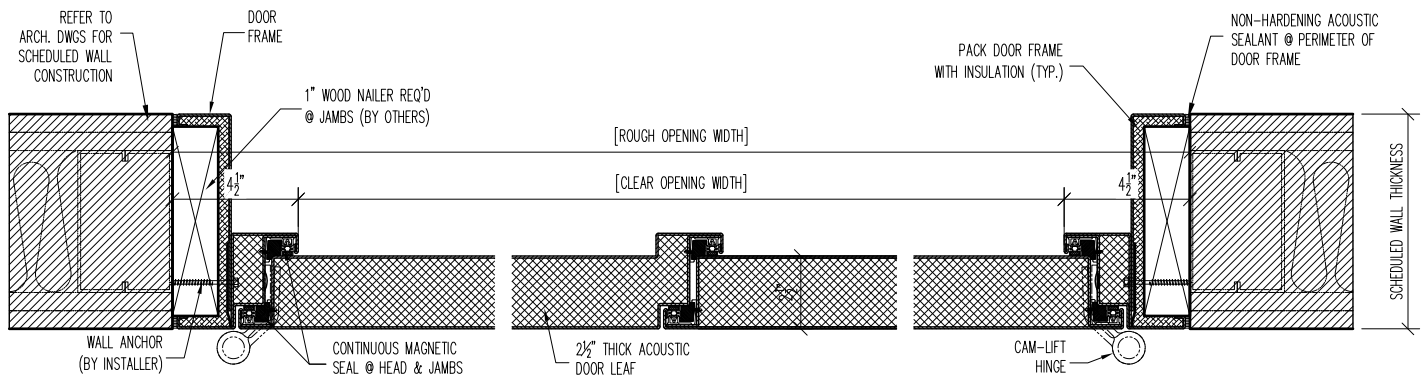
PROJECT:		TYPE:
SUBMITTED BY:	DATE:	ISSUE:
APPROVED BY:	DATE:	PROJECT No.:
PROJ. MGR.	SHEET:	

NOISE BARRIERS
 401 AIRPORT DRIVE
 NORTH AURORA, IL 60532
 Phone: (847) 843-0500
 Fax: (847) 843-0501
 www.noisebarriers.com

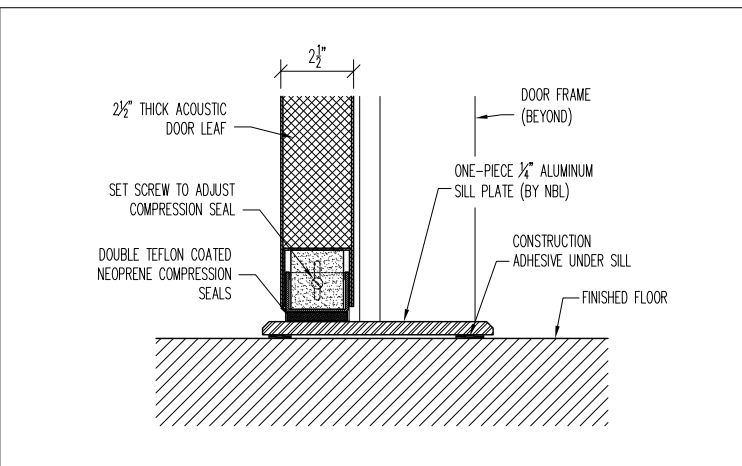
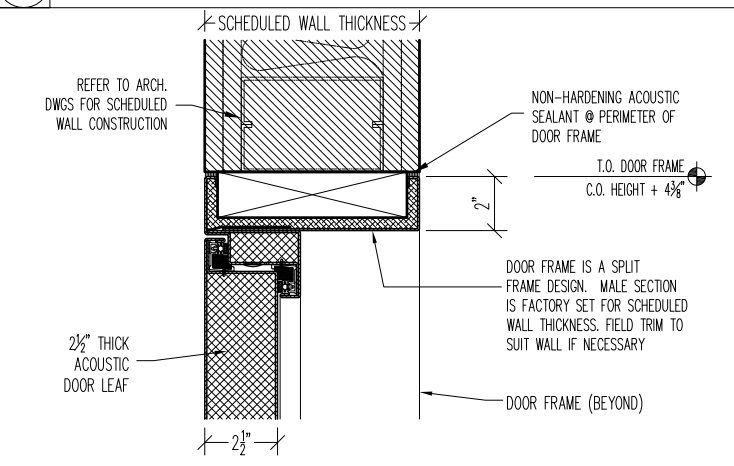


AS SHOWN @ DOORS

OPP. HAND @ DOORS



1 JAMB DETAIL



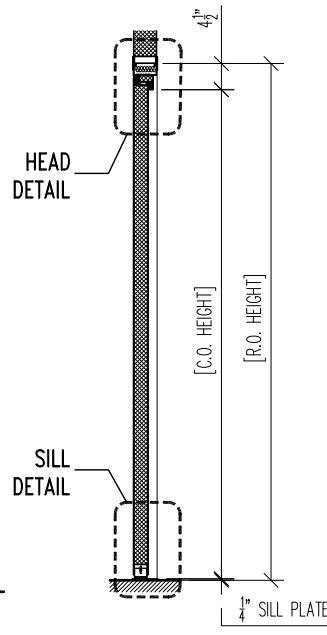
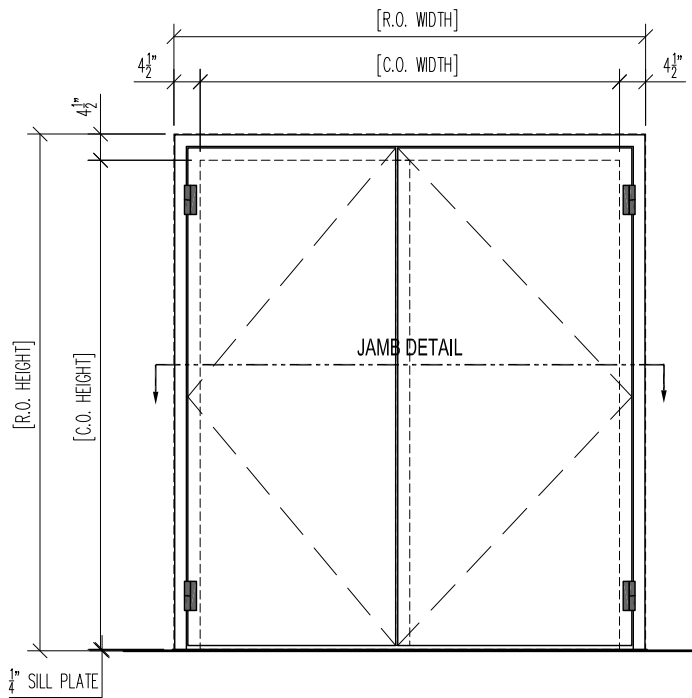
2 HEAD DETAIL

3 SILL DETAIL

**STC-51 DL-DOOR
TYPICAL - TYPE 'B'
INSTALL DETAILS**

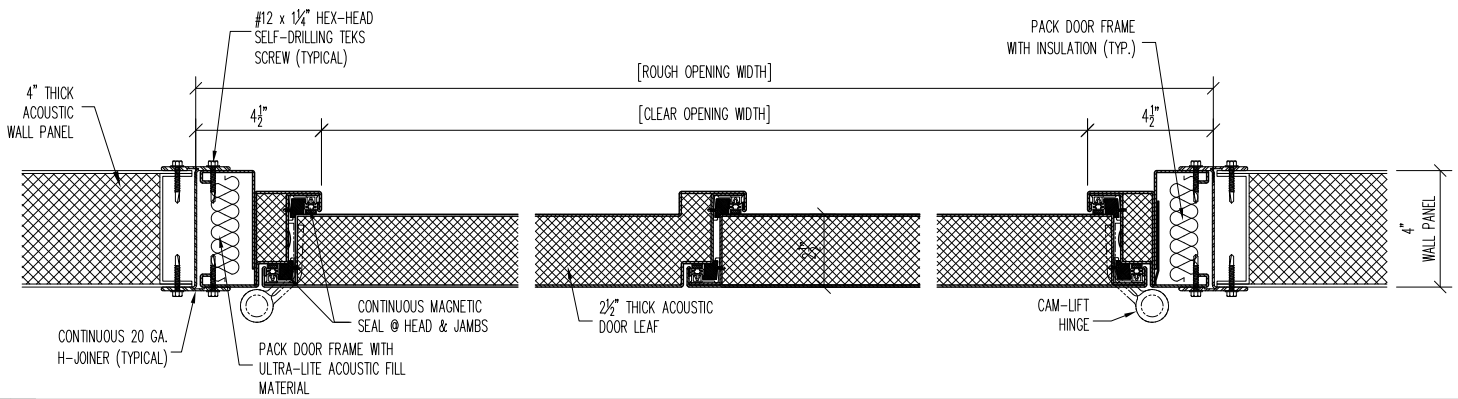
PROJECT:		TYPE:
SUBMITTED BY:	DATE:	ISSUE:
APPROVED BY:	DATE:	PROJECT No.:
PROJ. MGR.	SHEET:	

NOISE BARRIERS
401 AIRPORT DRIVE
NORTH AURORA, IL 60532
Phone: (847) 843-0500
Fax: (847) 843-0501
www.noisebarriers.com

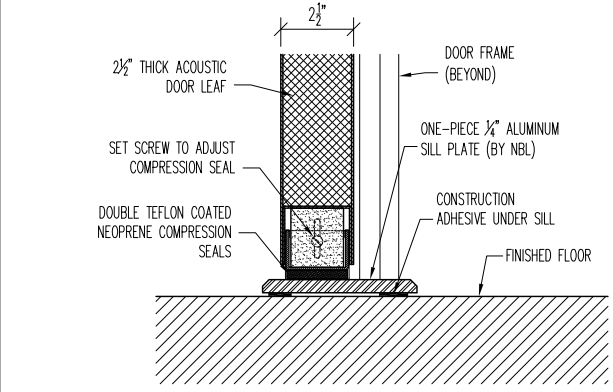
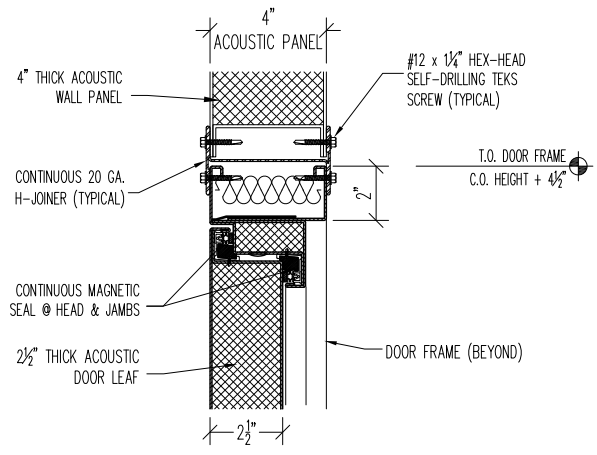


AS SHOWN @ DOORS

OPP. HAND @ DOORS



1 JAMB DETAIL



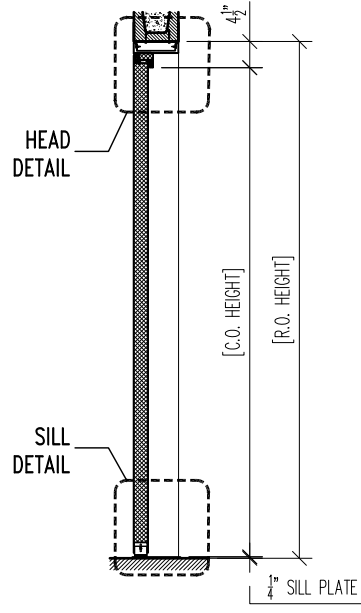
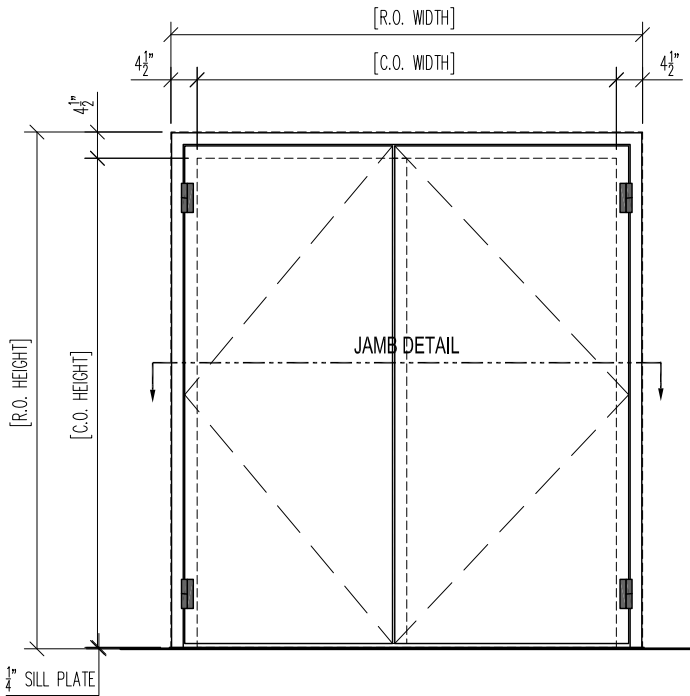
2 HEAD DETAIL

3 SILL DETAIL

**STC-51 DL-DOOR
TYPICAL - TYPE 'B'
INSTALL DETAILS**

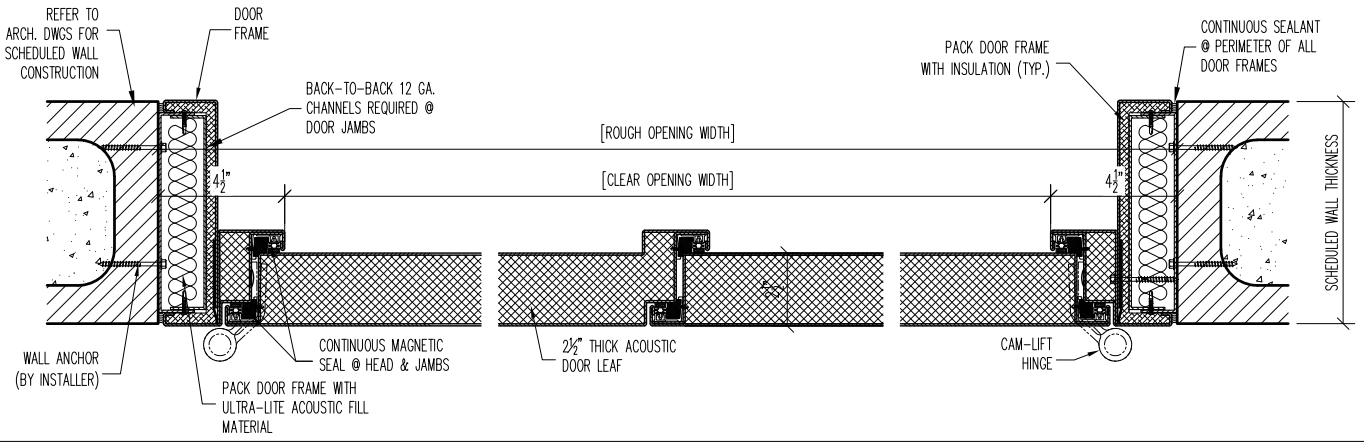
PROJECT:		TYPE:	
SUBMITTED BY:	DATE:	ISSUE:	
APPROVED BY:	DATE:	PROJECT No.:	
PROJ. MGR.	SHEET:		

NOISE BARRIERS
401 AIRPORT DRIVE
NORTH AURORA, IL 60532
Phone: (847) 843-0500
Fax: (847) 843-0501
www.noisebarriers.com

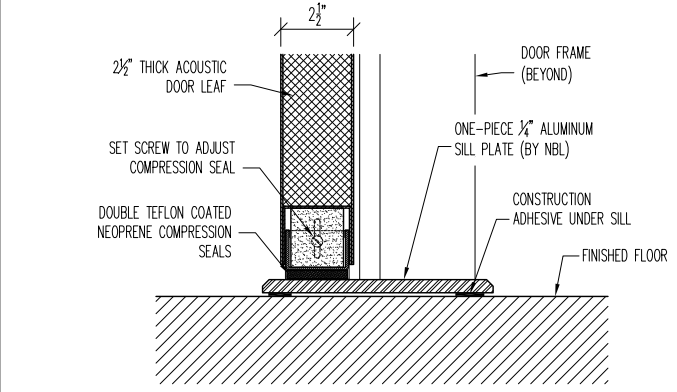
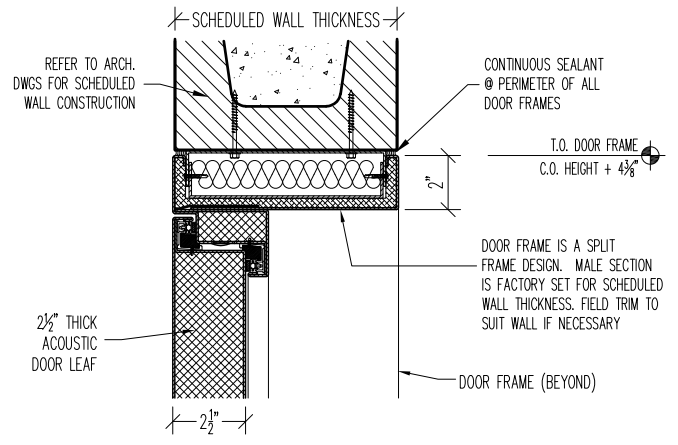


AS SHOWN @ DOORS

OPP. HAND @ DOORS



1 JAMB DETAIL



2 HEAD DETAIL

3 SILL DETAIL

**STC-51 DL-DOOR
TYPICAL - TYPE 'B'
INSTALL DETAILS**

PROJECT:		TYPE:
SUBMITTED BY:	DATE:	ISSUE:
APPROVED BY:	DATE:	PROJECT No.:
PROJ. MGR.	SHEET:	

NOISE BARRIERS
401 AIRPORT DRIVE
NORTH AURORA, IL 60532
Phone: (847) 843-0500
Fax: (847) 843-0501
www.noisebarriers.com