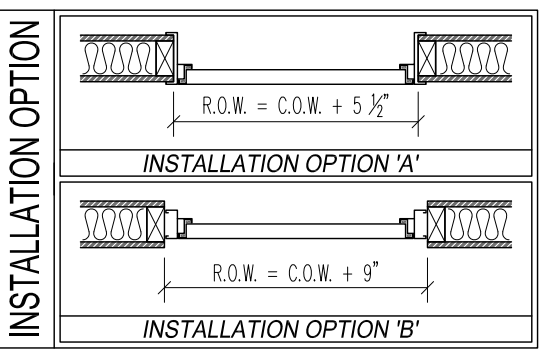
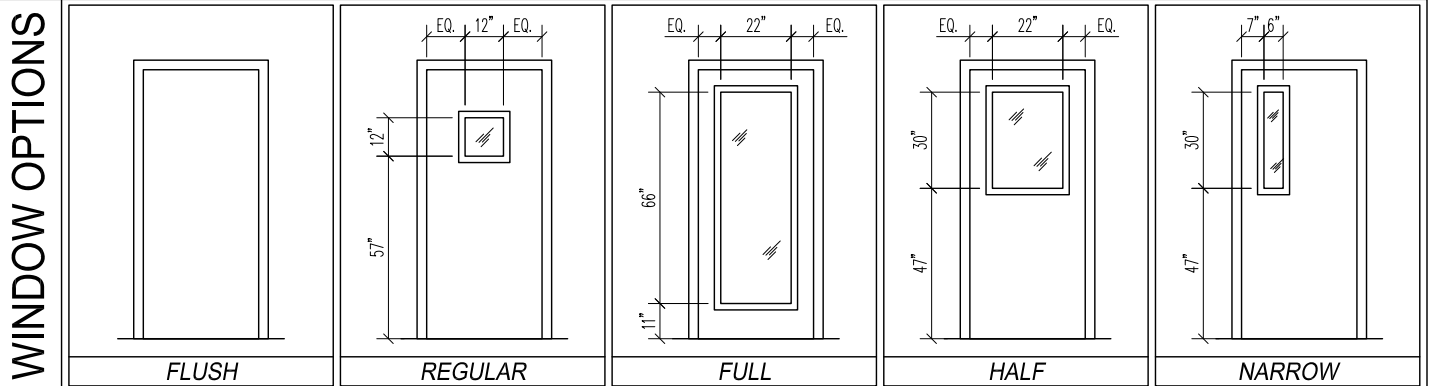
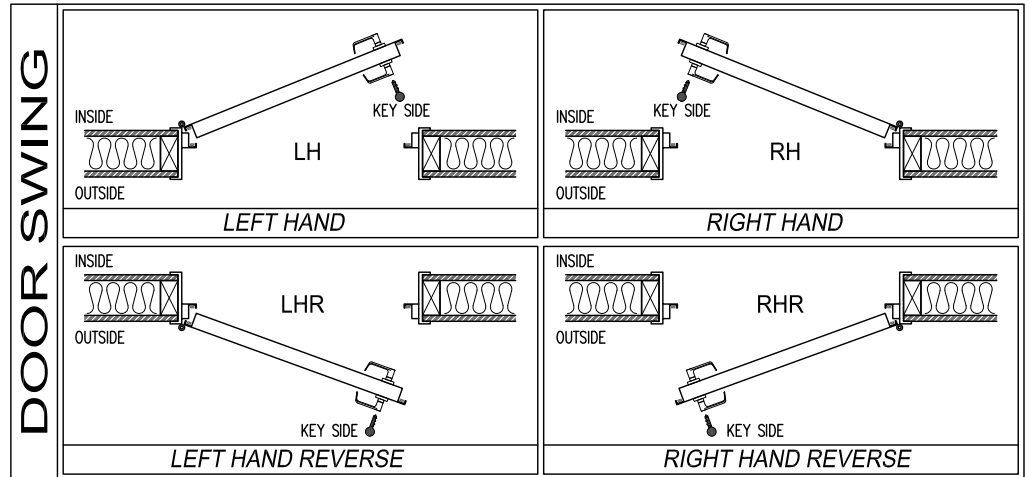
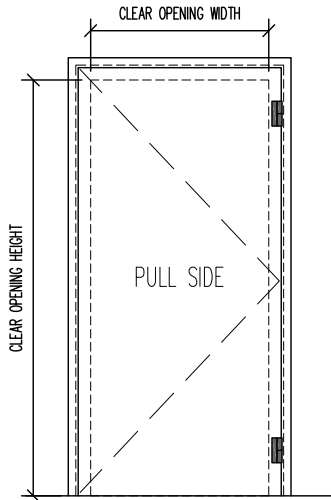


PROJECT NAME: \_\_\_\_\_ CUSTOMER: \_\_\_\_\_

APPLICATION:  INTERIOR  EXTERIOR FINISH: \_\_\_\_\_ NB JOB #: \_\_\_\_\_

## SINGLE-LEAF DOOR SUBMITTAL

DOOR No.	DOOR SWING	WINDOW OPTION	INSTALLATION OPTION	CLEAR OPENING WIDTH	CLEAR OPENING HEIGHT	ROUGH OPENING WIDTH	ROUGH OPENING HEIGHT	WALL THICKNESS

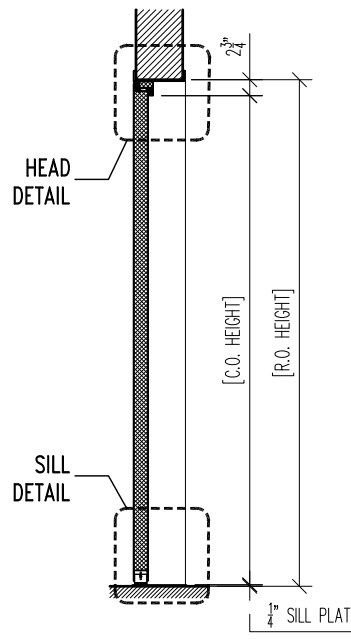
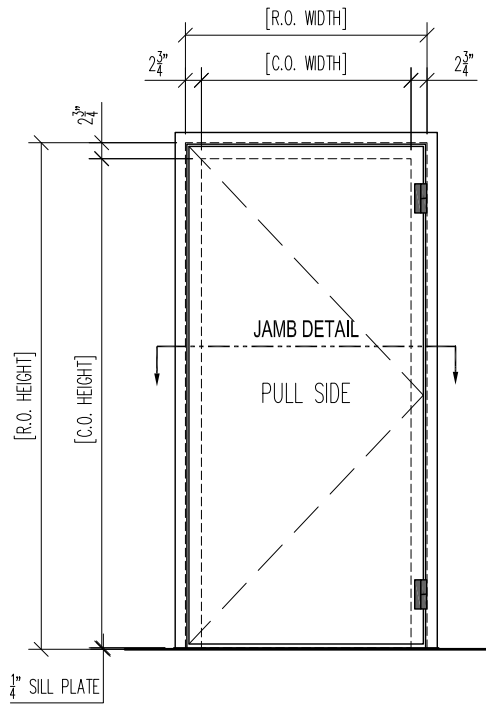


HARDWARE SCHEDULE		
HINGES	NBL-CLH-100 OFFSET CAM-LIFTING HINGES (FINISH: DULL SILVER)	QTY. 1
DOOR BOTTOM	MFG. STANDARD TEFLON COATED COMPRESSION SEAL	QTY. 1
HD/JMB/SEALS	MFG. STANDARD DOUBLE MAGNETIC SEALS	as req'd
THRESHOLD	ONE-PIECE 1/4" ALUMINUM SILL PLATE	QTY. 1

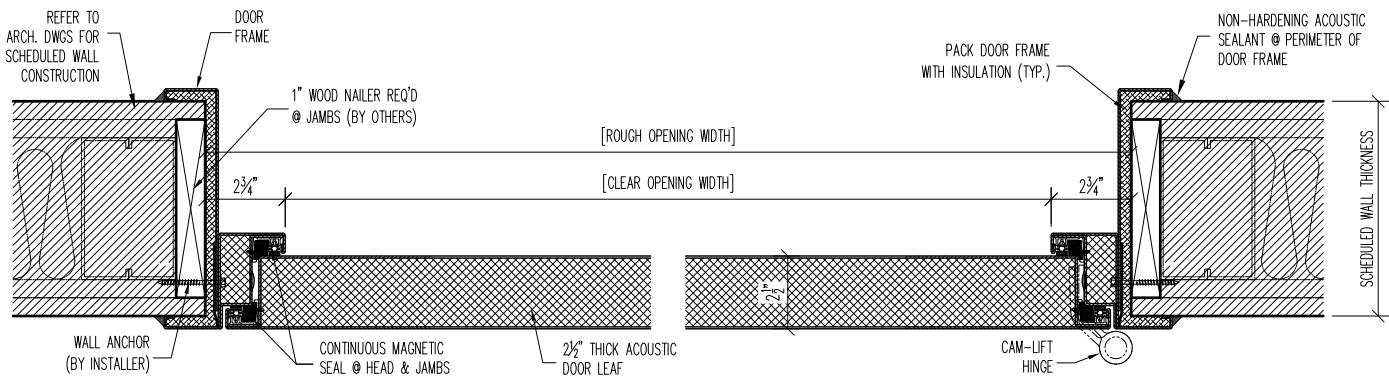
NOTES: \_\_\_\_\_

<h3>STC-52</h3> <h2>SINGLE-LEAF DOOR SPECIFICATIONS</h2>	PROJECT:	TYPE:	
	SUBMITTED BY:	DATE:	ISSUE:
	APPROVED BY:	DATE:	PROJECT No.:
	PROJ. MGR.	SHEET:	

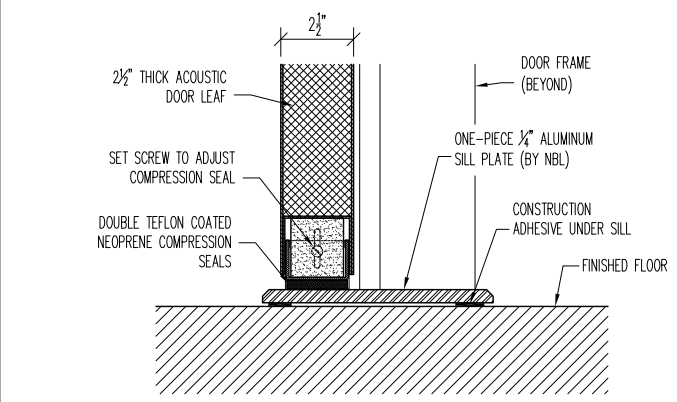
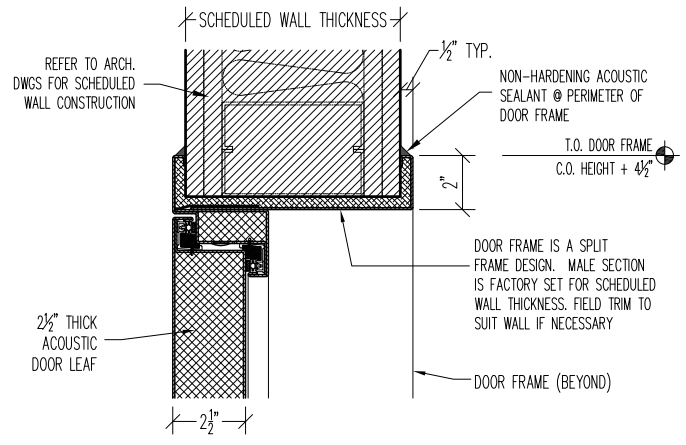
**NOISE BARRIERS**  
 401 AIRPORT DRIVE  
 NORTH AURORA, IL 60532  
 Phone: (847) 843-0500  
 Fax: (847) 843-0501  
[www.noisebarriers.com](http://www.noisebarriers.com)



AS SHOWN @ DOORS		
OPP. HAND @ DOORS		



### 1 JAMB DETAIL



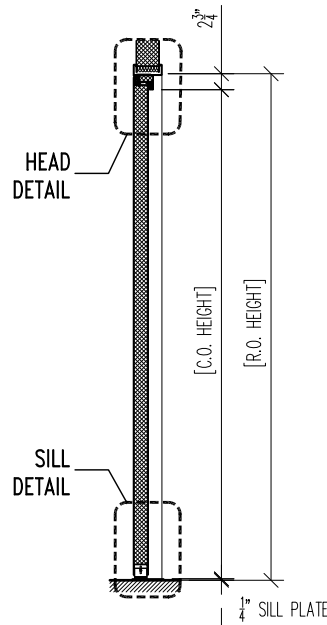
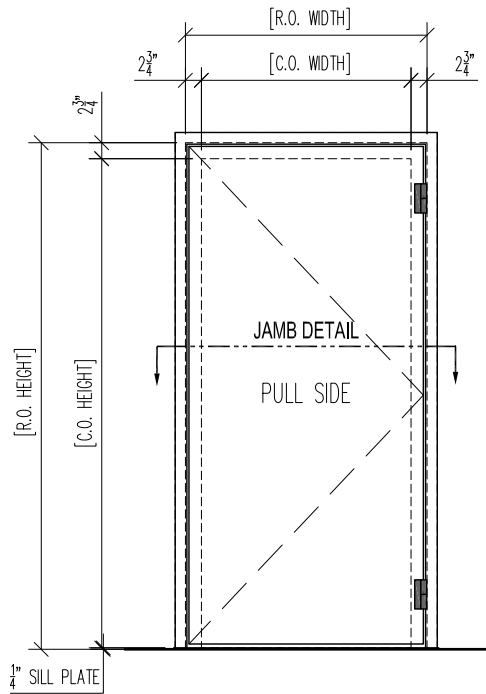
### 2 HEAD DETAIL

### 3 SILL DETAIL

**STC-52 SL-DOOR  
TYPICAL - TYPE 'A'  
INSTALL DETAILS**

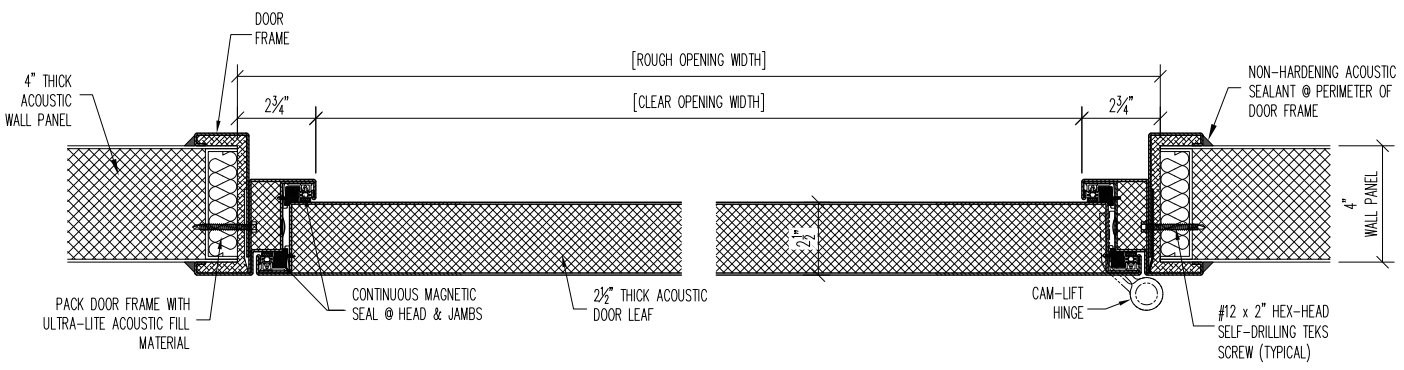
PROJECT:		TYPE:
SUBMITTED BY:	DATE:	ISSUE:
APPROVED BY:	DATE:	PROJECT No.:
PROJ. MGR.	SHEET:	

**NOISE BARRIERS**  
 401 AIRPORT DRIVE  
 NORTH AURORA, IL 60532  
 Phone: (847) 843-0500  
 Fax: (847) 843-0501  
 www.noisebarriers.com

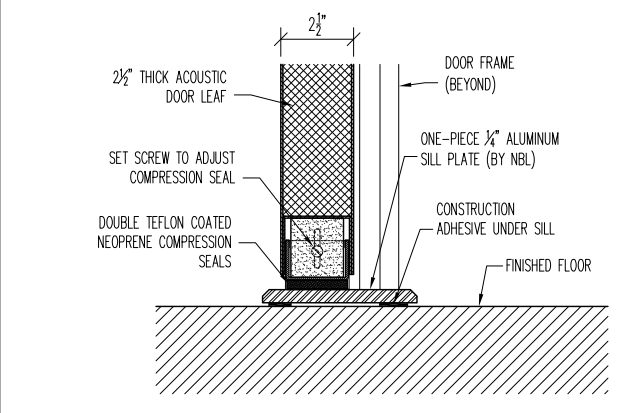
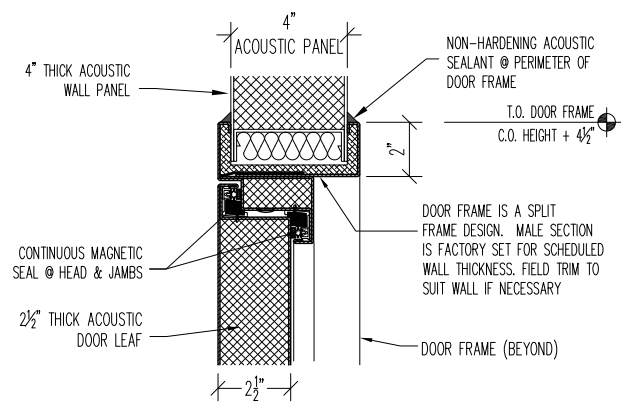


AS SHOWN @ DOORS


OPP. HAND @ DOORS

**1 JAMB DETAIL**



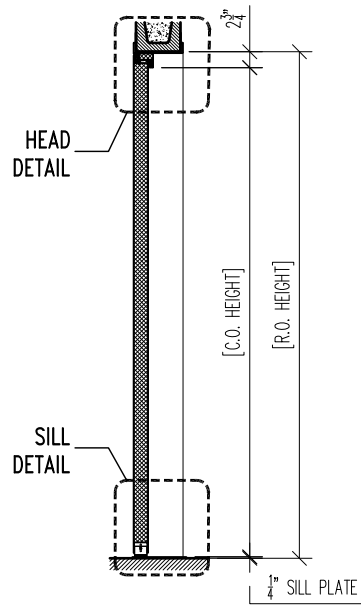
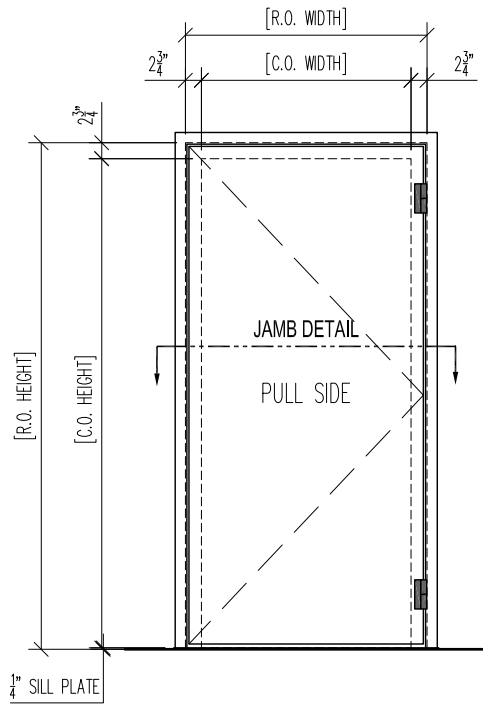
**2 HEAD DETAIL**

**3 SILL DETAIL**

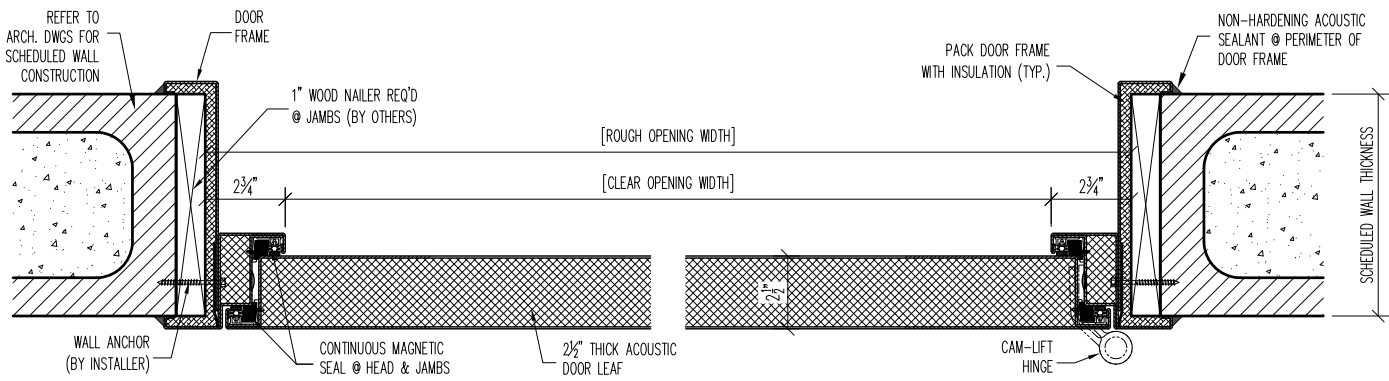
**STC-52 SL-DOOR  
TYPICAL - TYPE 'A'  
INSTALL DETAILS**

PROJECT:		TYPE:
SUBMITTED BY:	DATE:	ISSUE:
APPROVED BY:	DATE:	PROJECT No.:
PROJ. MGR.	SHEET:	

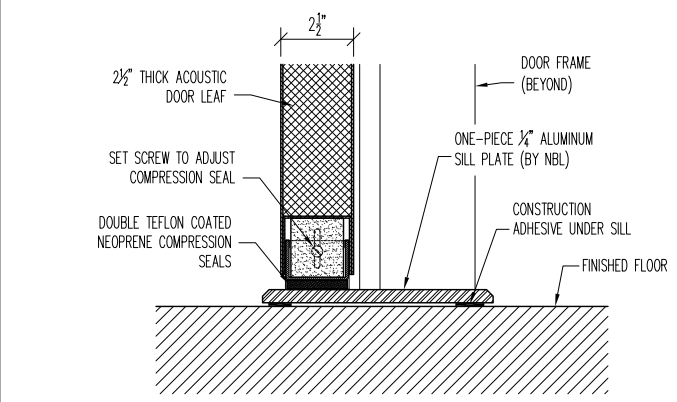
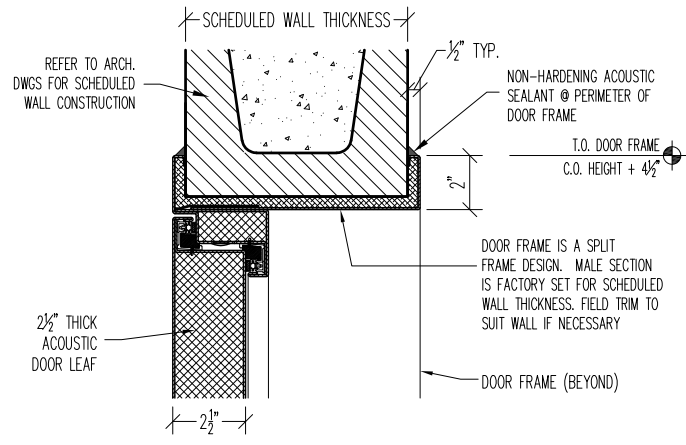
**NOISE BARRIERS**  
401 AIRPORT DRIVE  
NORTH AURORA, IL 60532  
Phone: (847) 843-0500  
Fax: (847) 843-0501  
www.noisebarriers.com



AS SHOWN @ DOORS		
OPP. HAND @ DOORS		



### 1 JAMB DETAIL



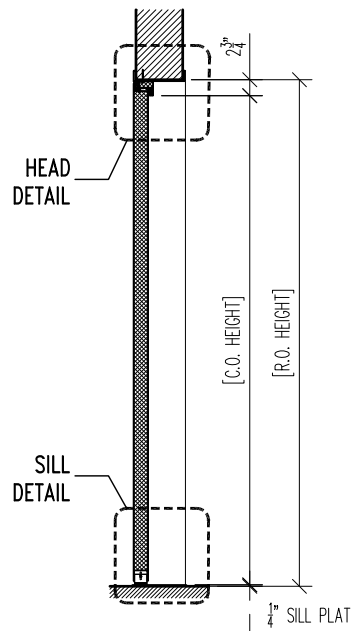
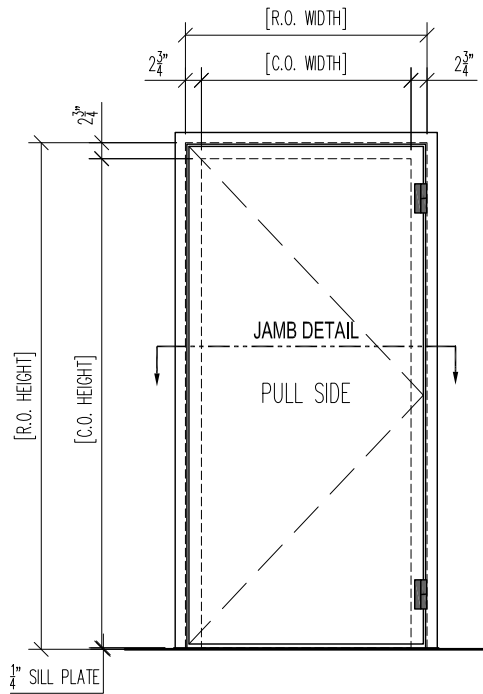
### 2 HEAD DETAIL

### 3 SILL DETAIL

**STC-52 SL-DOOR  
TYPICAL - TYPE 'A'  
INSTALL DETAILS**

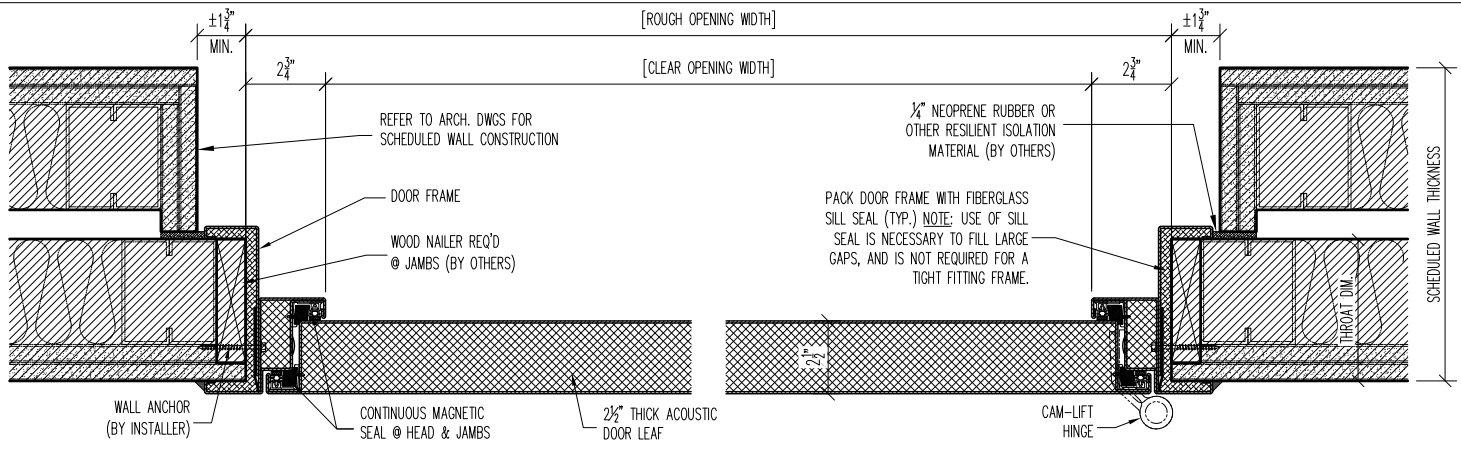
PROJECT:		TYPE:
SUBMITTED BY:	DATE:	ISSUE:
APPROVED BY:	DATE:	PROJECT No.:
PROJ. MGR.	SHEET:	

**NOISE BARRIERS**  
401 AIRPORT DRIVE  
NORTH AURORA, IL 60532  
Phone: (847) 843-0500  
Fax: (847) 843-0501  
www.noisebarriers.com

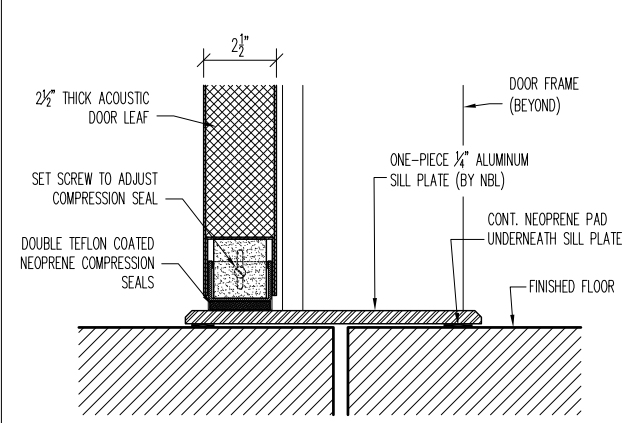
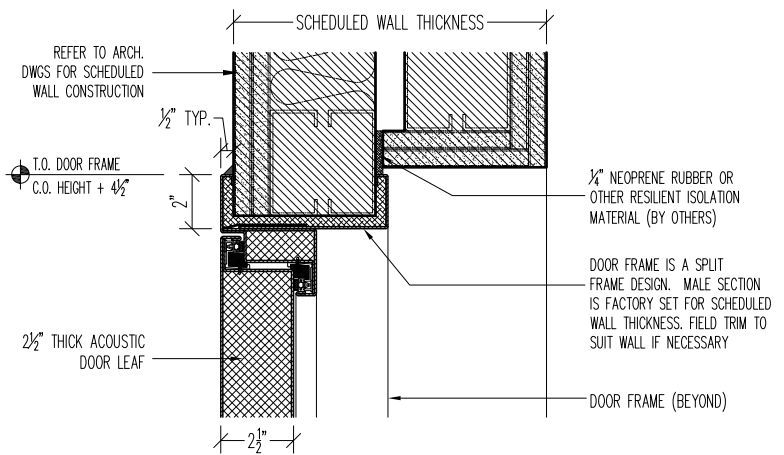


AS SHOWN @ DOORS


OPP. HAND @ DOORS

**1 JAMB DETAIL**



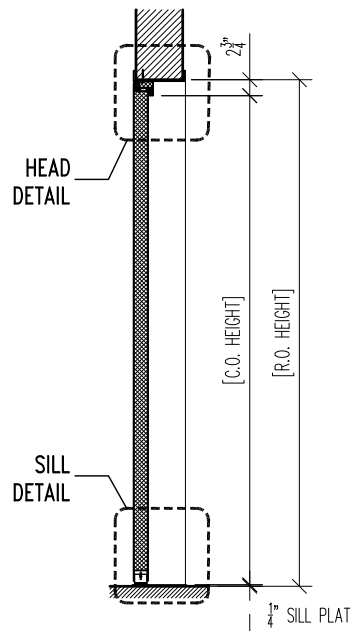
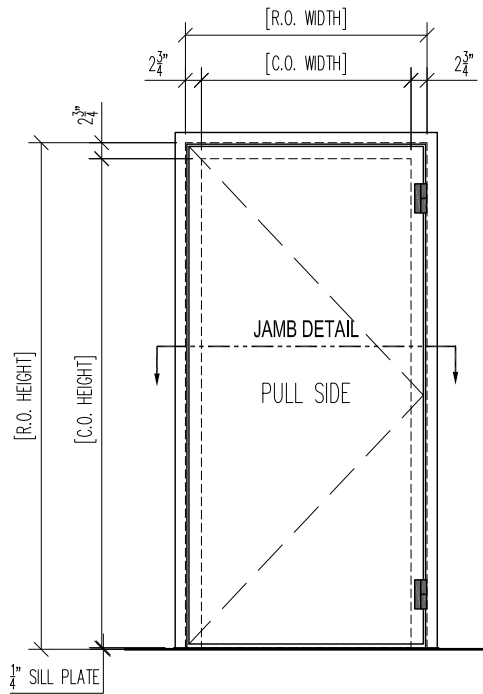
**2 HEAD DETAIL**

**3 SILL DETAIL**

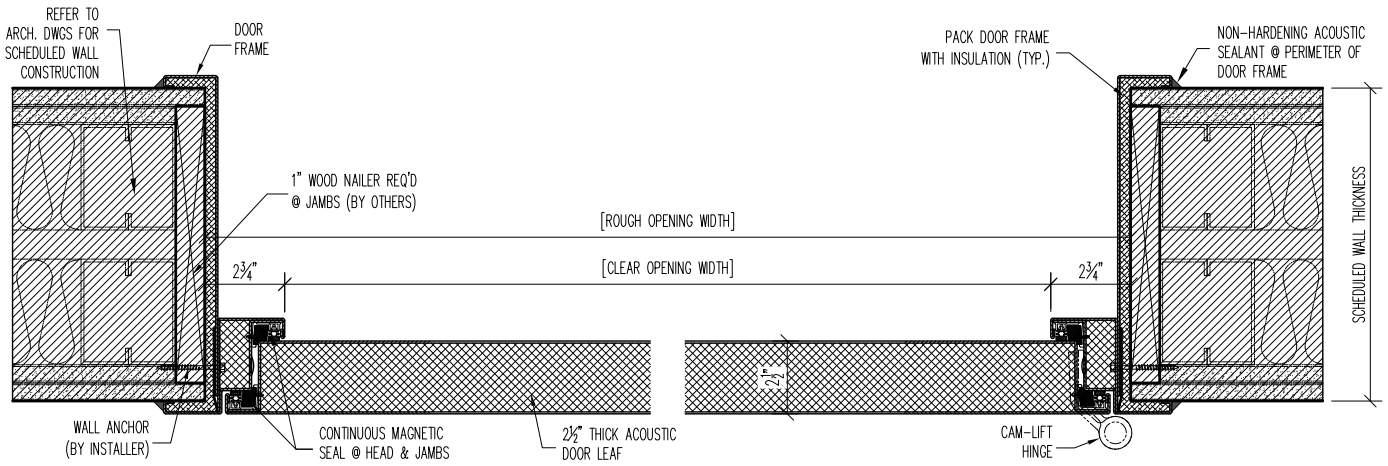
**STC-52 SL-DOOR  
TYPICAL - TYPE 'A'  
INSTALL DETAILS**

PROJECT:		TYPE:
SUBMITTED BY:	DATE:	ISSUE:
APPROVED BY:	DATE:	PROJECT No.:
PROJ. MGR.	SHEET:	

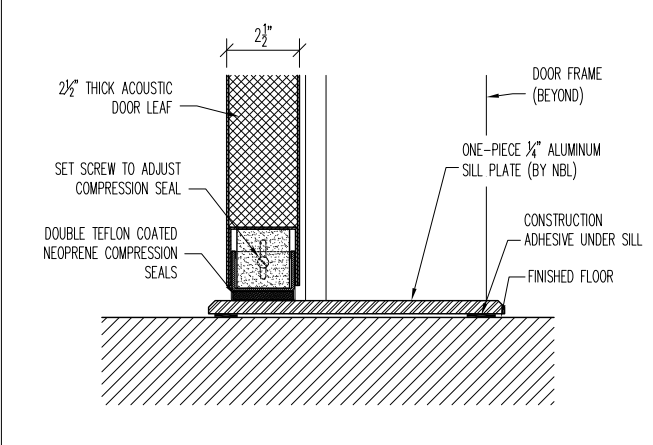
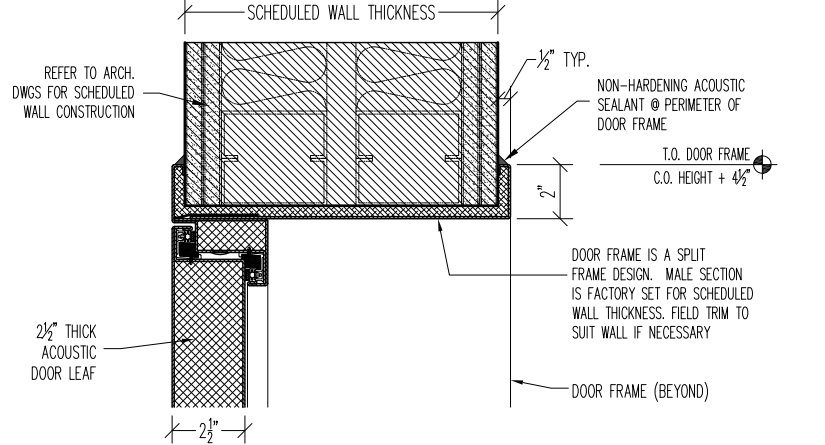
**NOISE BARRIERS**  
401 AIRPORT DRIVE  
NORTH AURORA, IL 60532  
Phone: (847) 843-0500  
Fax: (847) 843-0501  
www.noisebarriers.com



AS SHOWN @ DOORS		
OPP. HAND @ DOORS		



**1 JAMB DETAIL**



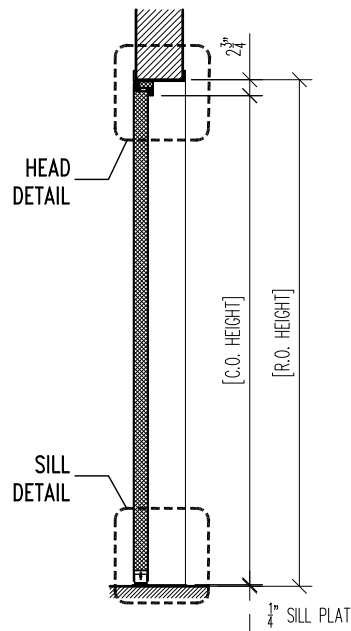
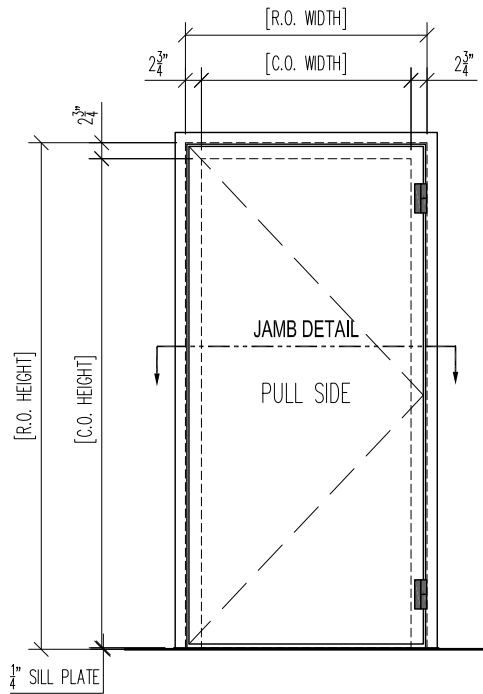
**2 HEAD DETAIL**

**3 SILL DETAIL**

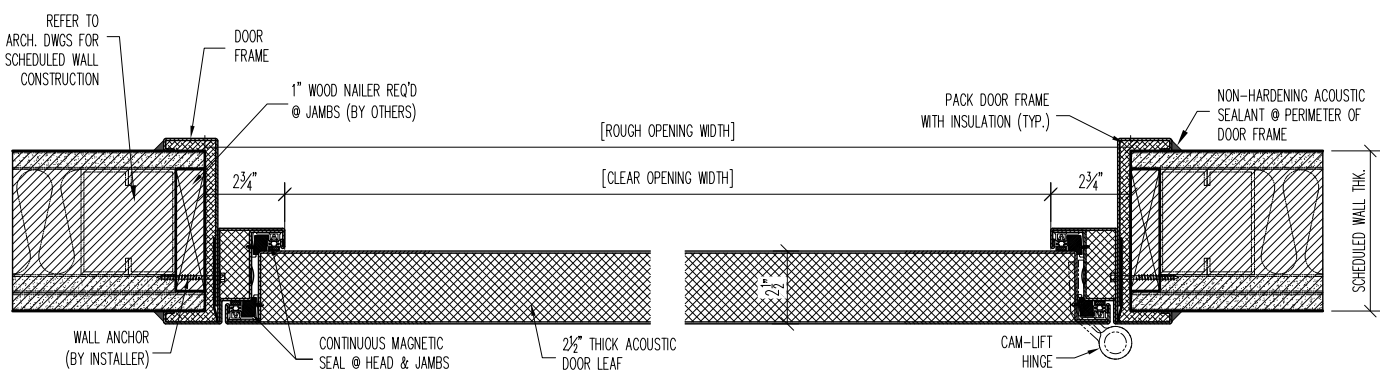
**STC-52 SL-DOOR  
TYPICAL - TYPE 'A'  
INSTALL DETAILS**

PROJECT:		TYPE:
SUBMITTED BY:	DATE:	ISSUE:
APPROVED BY:	DATE:	PROJECT No.:
PROJ. MGR.	SHEET:	

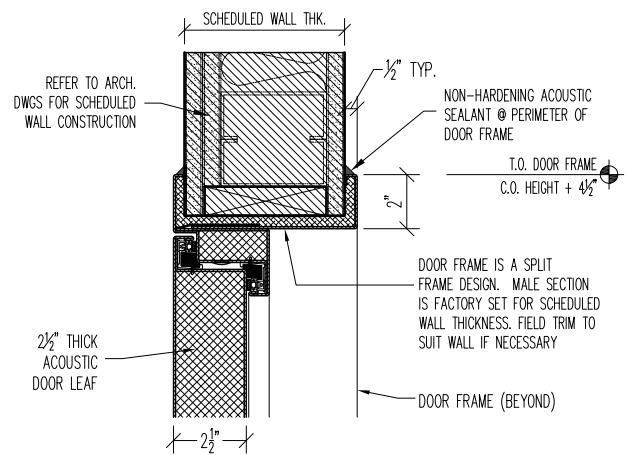
**NOISE BARRIERS**  
 401 AIRPORT DRIVE  
 NORTH AURORA, IL 60532  
 Phone: (847) 843-0500  
 Fax: (847) 843-0501  
 www.noisebarriers.com



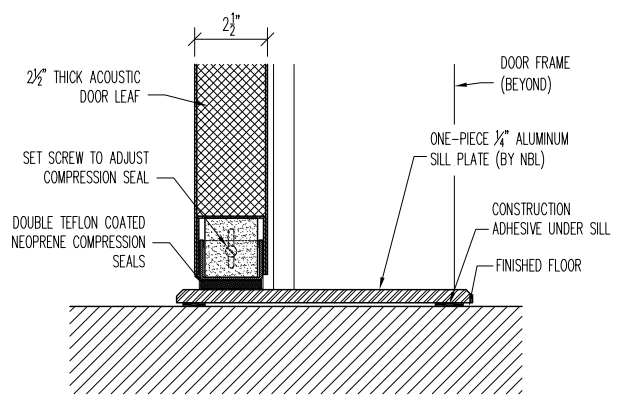
AS SHOWN @ DOORS		
OPP. HAND @ DOORS		



**1 JAMB DETAIL**



**3 SILL DETAIL**

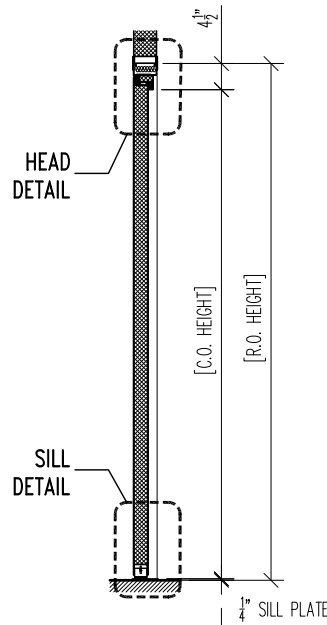
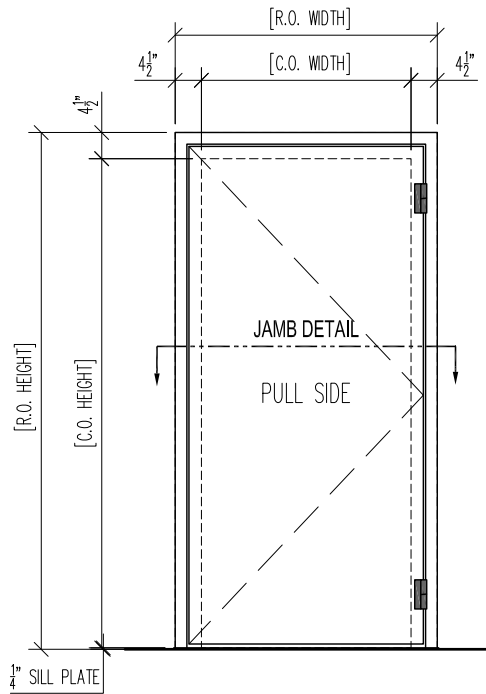


**2 HEAD DETAIL**

**STC-52 SL-DOOR  
TYPICAL - TYPE 'A'  
INSTALL DETAILS**

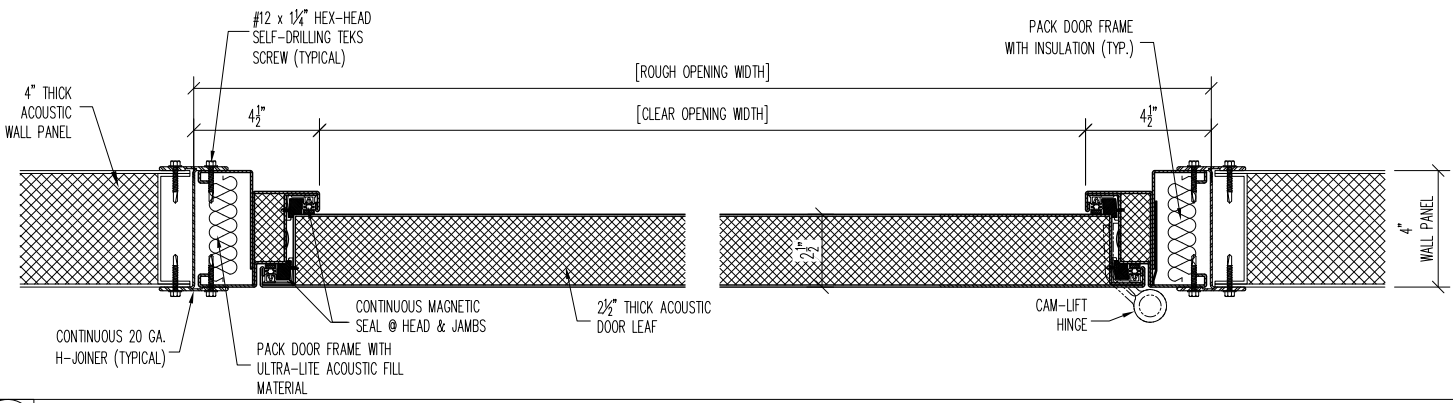
PROJECT:		TYPE:	
SUBMITTED BY:	DATE:	ISSUE:	
APPROVED BY:	DATE:	PROJECT No.:	
PROJ. MGR.	SHEET:		

**NOISE BARRIERS**  
 401 AIRPORT DRIVE  
 NORTH AURORA, IL 60532  
 Phone: (847) 843-0500  
 Fax: (847) 843-0501  
 www.noisebarriers.com

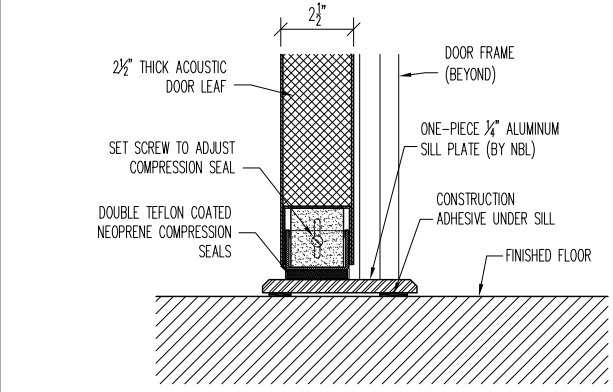
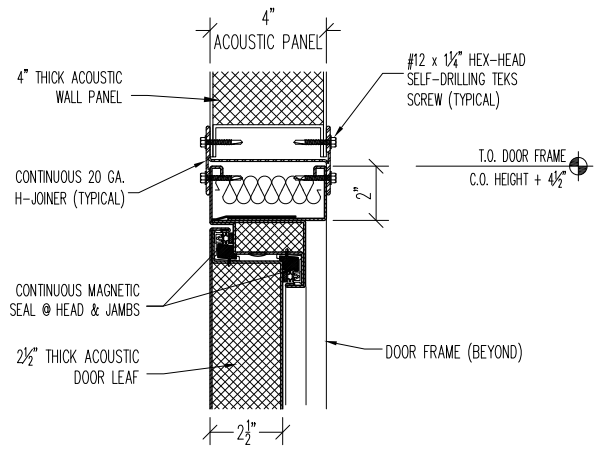


AS SHOWN @ DOORS


OPP. HAND @ DOORS

1 JAMB DETAIL



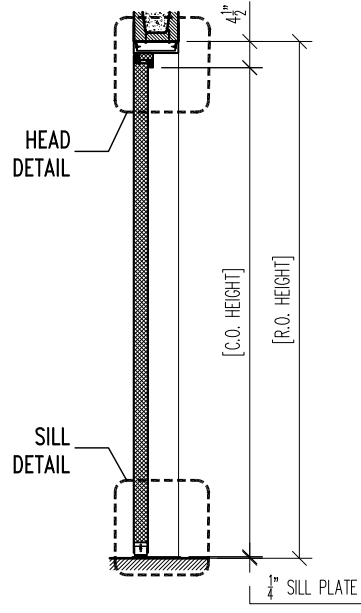
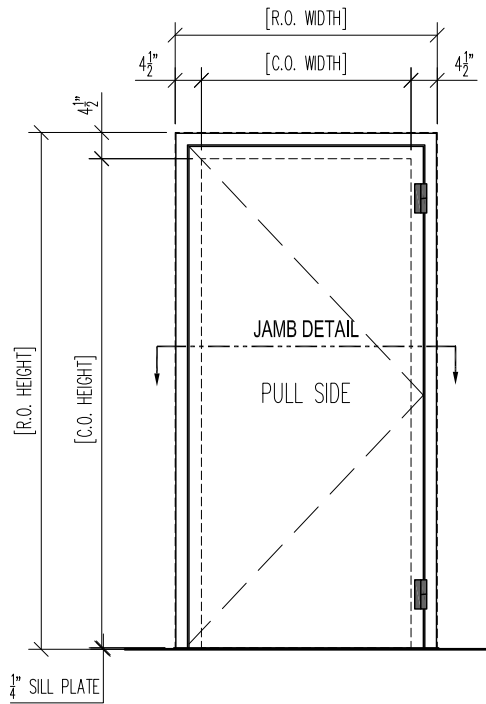
2 HEAD DETAIL

3 SILL DETAIL

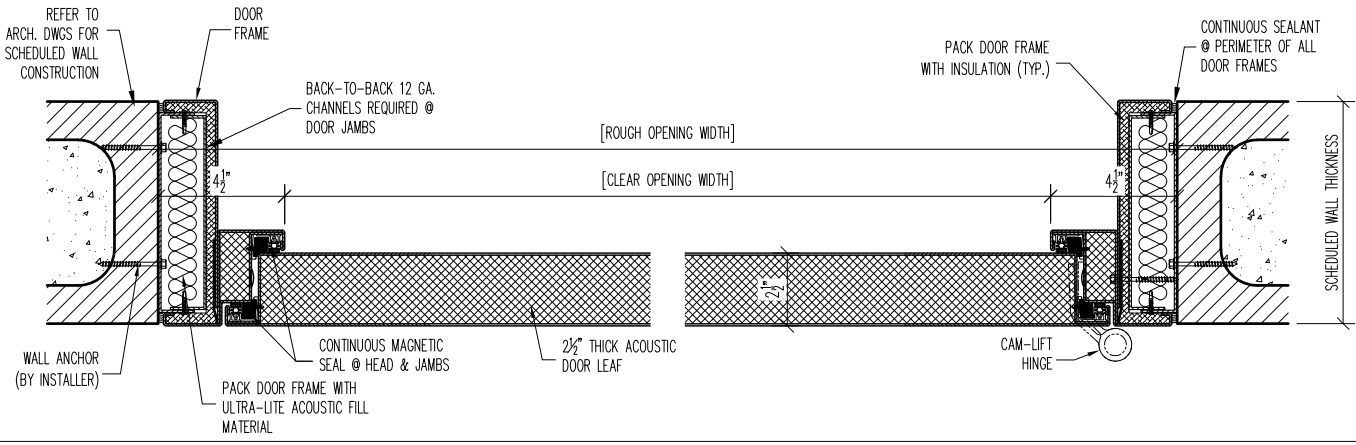
STC-52 SL-DOOR  
TYPICAL - TYPE 'B'  
INSTALL DETAILS

PROJECT:		TYPE:	
SUBMITTED BY:	DATE:	ISSUE:	
APPROVED BY:	DATE:	PROJECT No.:	
PROJ. MGR.	SHEET:		

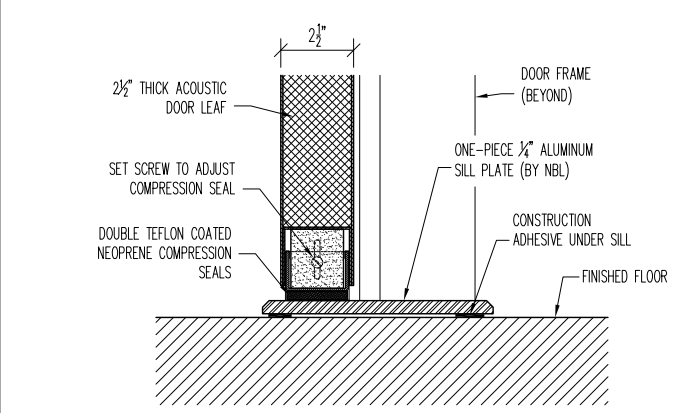
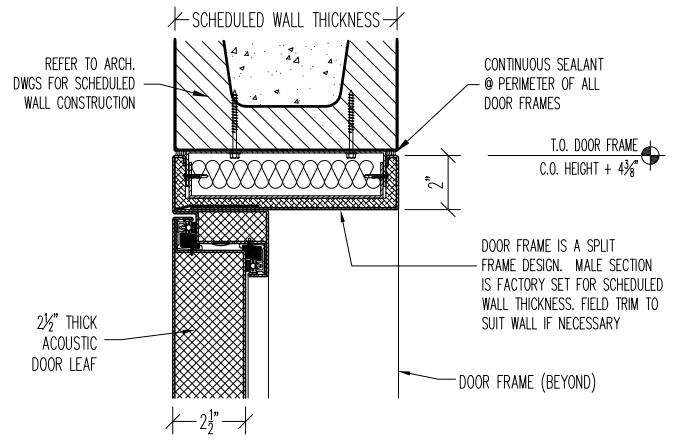
**NOISE BARRIERS**  
401 AIRPORT DRIVE  
NORTH AURORA, IL 60532  
Phone: (847) 843-0500  
Fax: (847) 843-0501  
www.noisebarriers.com



AS SHOWN @ DOORS		
OPP. HAND @ DOORS		



**1 JAMB DETAIL**



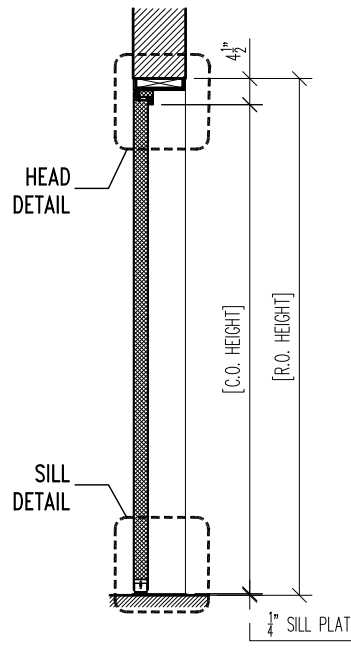
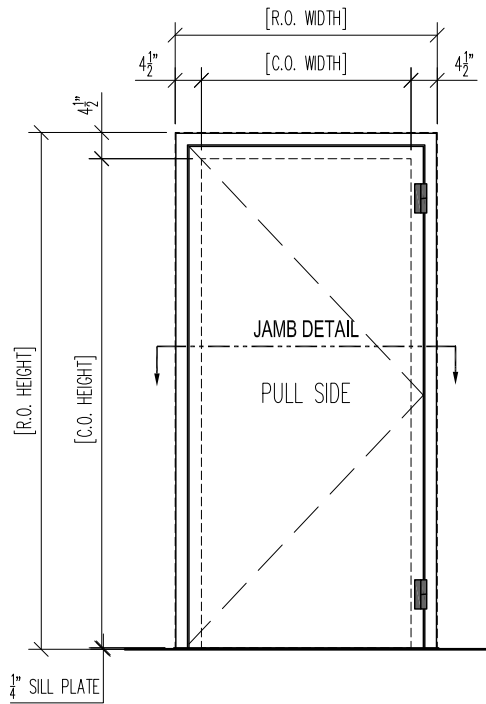
**2 HEAD DETAIL**

**3 SILL DETAIL**

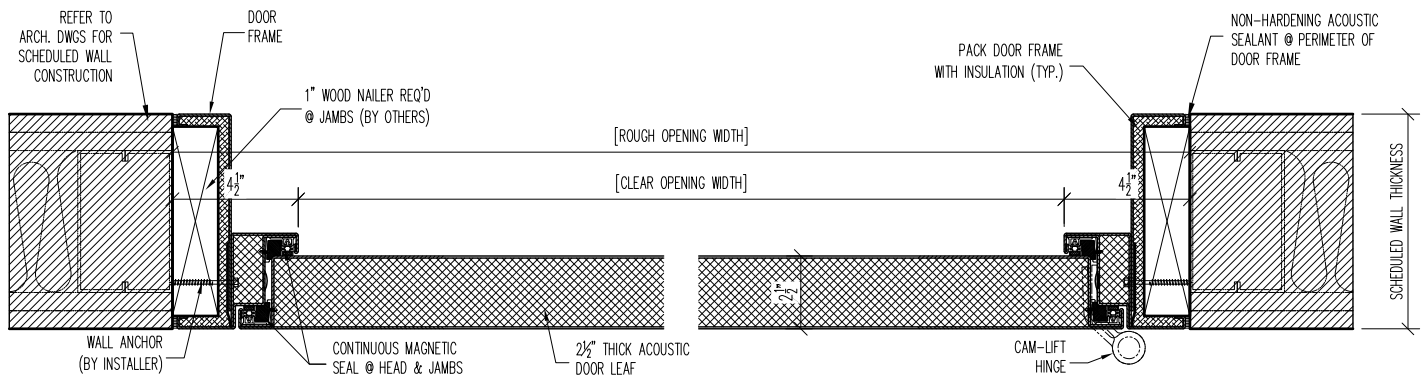
**STC-52 SL-DOOR  
TYPICAL - TYPE 'B'  
INSTALL DETAILS**

PROJECT:		TYPE:
SUBMITTED BY:	DATE:	ISSUE:
APPROVED BY:	DATE:	PROJECT No.:
PROJ. MGR.	SHEET:	

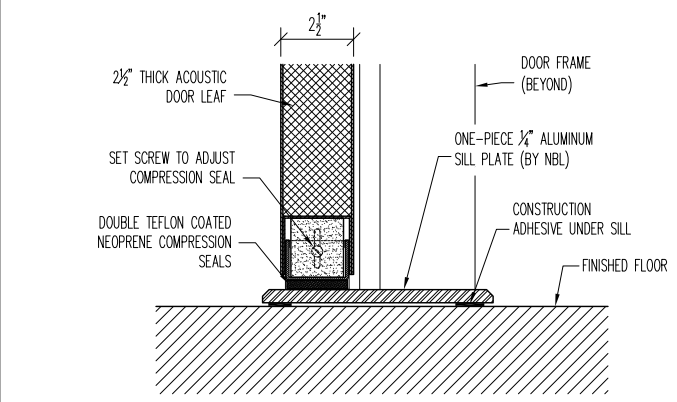
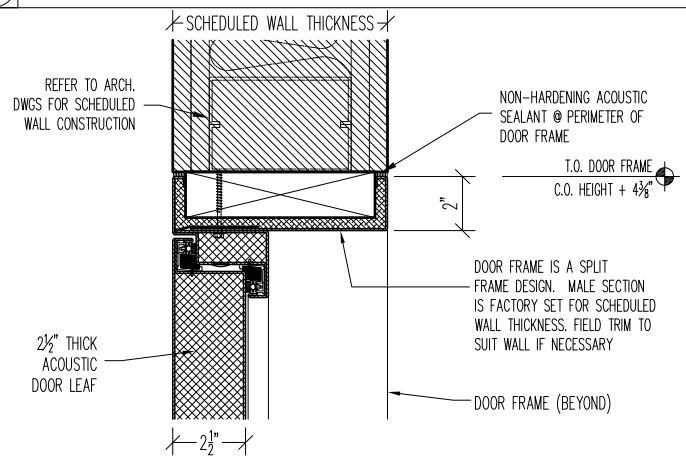
**NOISE BARRIERS**  
 401 AIRPORT DRIVE  
 NORTH AURORA, IL 60532  
 Phone: (847) 843-0500  
 Fax: (847) 843-0501  
 www.noisebarriers.com



AS SHOWN @ DOORS		
OPP. HAND @ DOORS		



### 1 JAMB DETAIL



### 2 HEAD DETAIL

### 3 SILL DETAIL

**STC-52 SL-DOOR  
TYPICAL - TYPE 'B'  
INSTALL DETAILS**

PROJECT:		TYPE:
SUBMITTED BY:	DATE:	ISSUE:
APPROVED BY:	DATE:	PROJECT No.:
PROJ. MGR.	SHEET:	

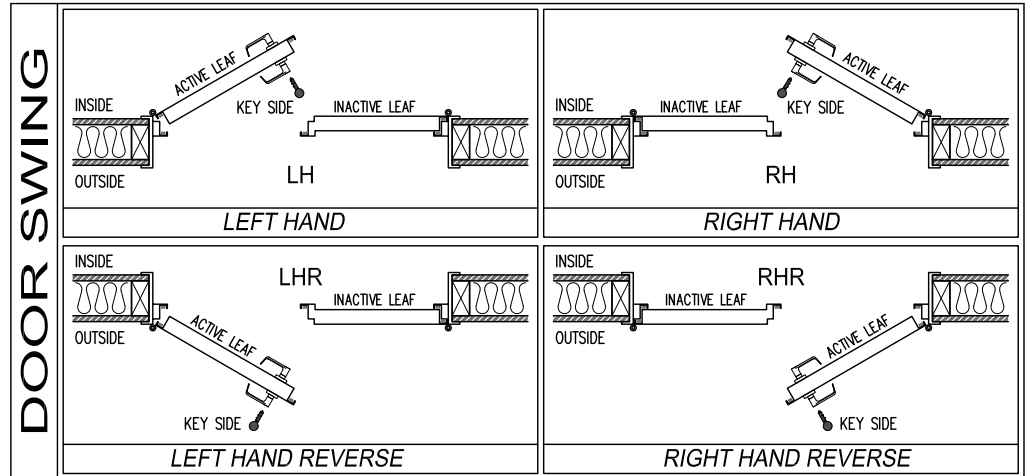
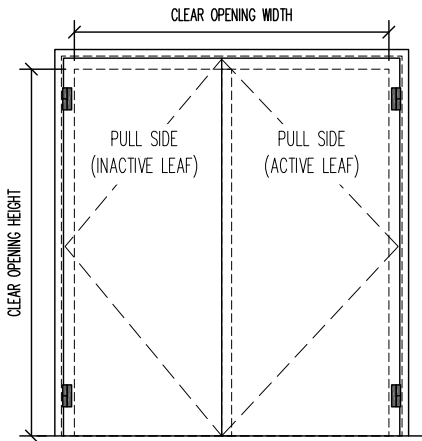
**NOISE BARRIERS**  
 401 AIRPORT DRIVE  
 NORTH AURORA, IL 60532  
 Phone: (847) 843-0500  
 Fax: (847) 843-0501  
 www.noisebarriers.com

PROJECT NAME: \_\_\_\_\_ CUSTOMER: \_\_\_\_\_

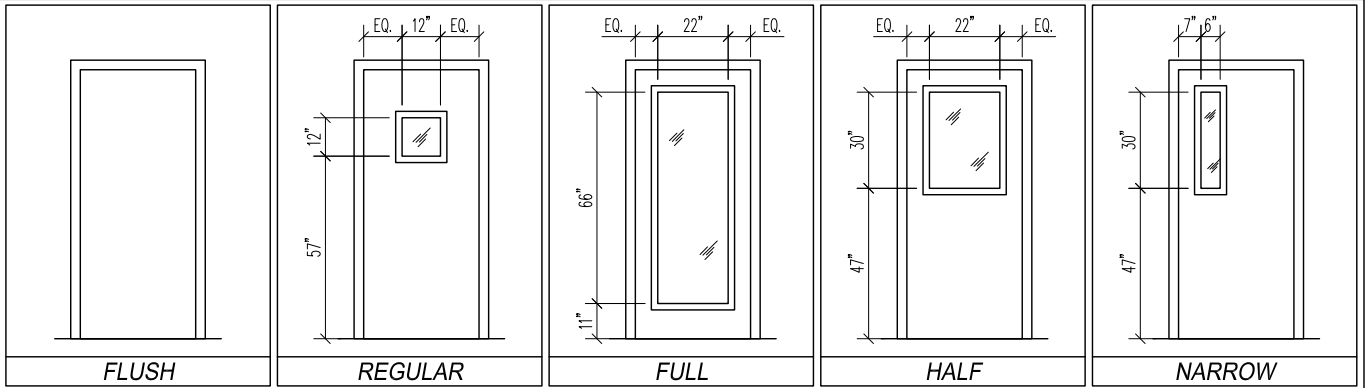
APPLICATION:  INTERIOR  EXTERIOR FINISH: \_\_\_\_\_ NB JOB #: \_\_\_\_\_

## DOUBLE-LEAF DOOR SUBMITTAL

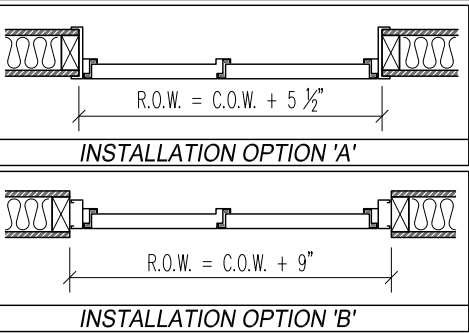
DOOR No.	DOOR SWING (ACTIVE LEAF)	WINDOW OPTION		INSTALLATION OPTION	CLEAR OPENING WIDTH	CLEAR OPENING HEIGHT	ROUGH OPENING WIDTH	ROUGH OPENING HEIGHT	WALL THICKNESS
		ACTIVE	INACTIVE						



### WINDOW OPTIONS



### INSTALLATION OPTION



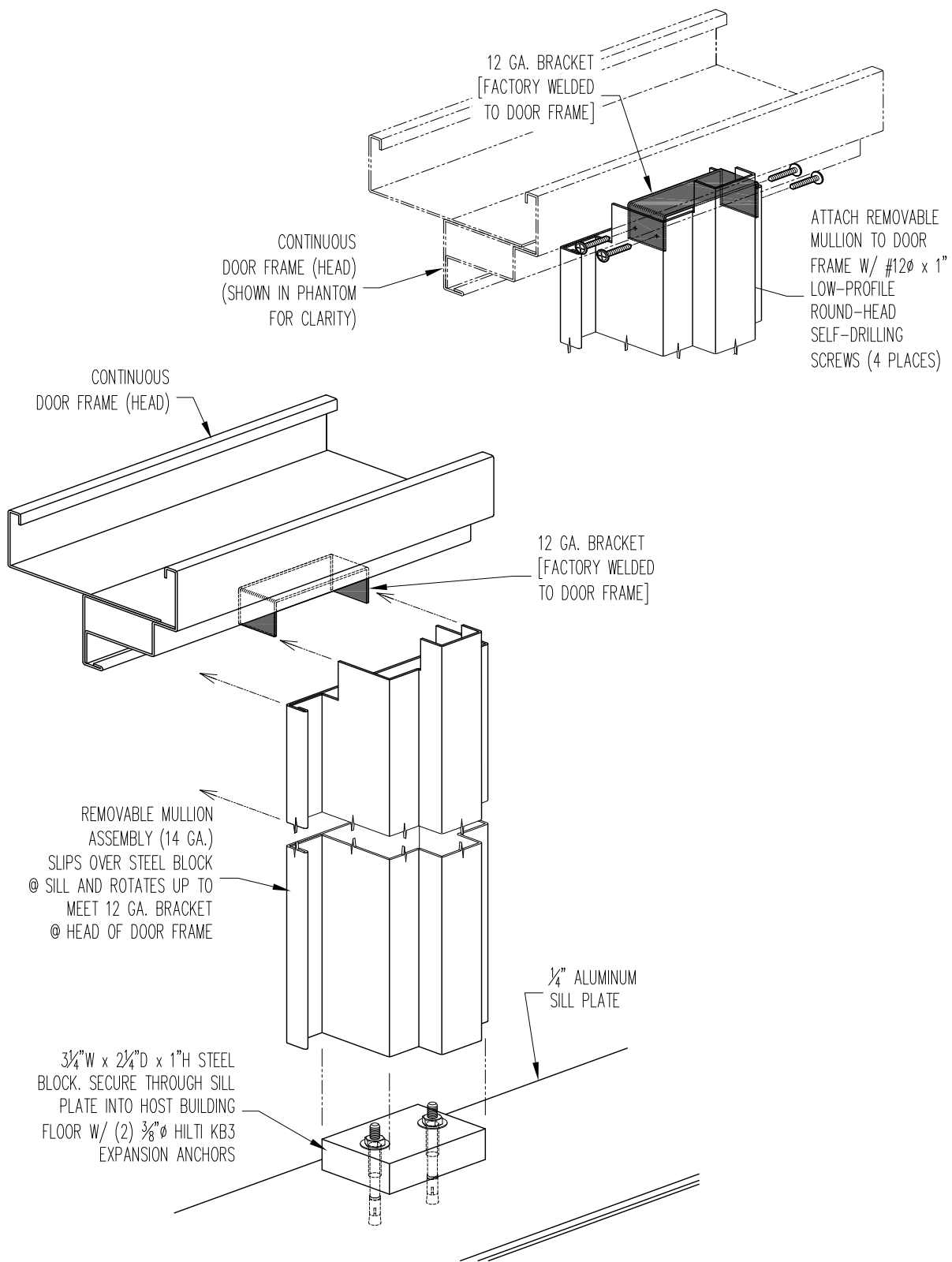
### HARDWARE SCHEDULE

HINGES	NBL-CLH-100 OFFSET CAM-LIFTING HINGES (FINISH: DULL SILVER)	QTY. 2
DOOR BOTTOM	MFG. STANDARD TEFLON COATED COMPRESSION SEAL	QTY. 2
HD/JMB/ASTRAGAL SEALS	MFG. STANDARD DOUBLE MAGNETIC SEALS	as req'd
THRESHOLD	ONE-PIECE 1/4" ALUMINUM SILL PLATE	QTY. 1

NOTES: \_\_\_\_\_

<h2>STC-52 DOUBLE-LEAF DOOR SPECIFICATIONS</h2>	PROJECT: _____		TYPE: _____	
	SUBMITTED BY: _____		DATE: _____	
	APPROVED BY: _____		DATE: _____	
	PROJ. MGR. _____	SHEET: _____		PROJECT No.: _____


**NOISE BARRIERS**  
 401 AIRPORT DRIVE  
 NORTH AURORA, IL 60532  
 Phone: (847) 843-0500  
 Fax: (847) 843-0501  
[www.noisebarriers.com](http://www.noisebarriers.com)



**1** DETAIL @ REMOVABLE MULLION

**DETAIL @  
REMOVABLE  
MULLION**

PROJECT:		TYPE:
SUBMITTED BY:	DATE:	ISSUE:
APPROVED BY:	DATE:	PROJECT No.:
PROJ. MGR.	SHEET: DS-X	



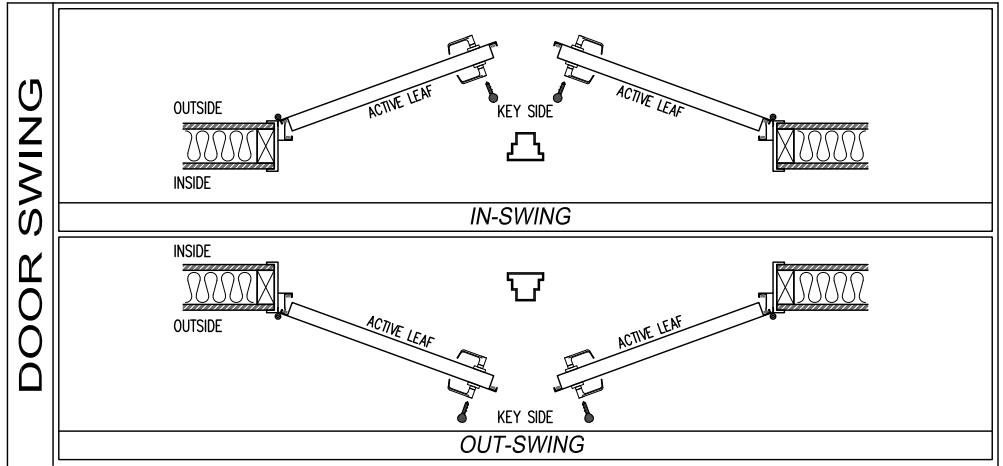
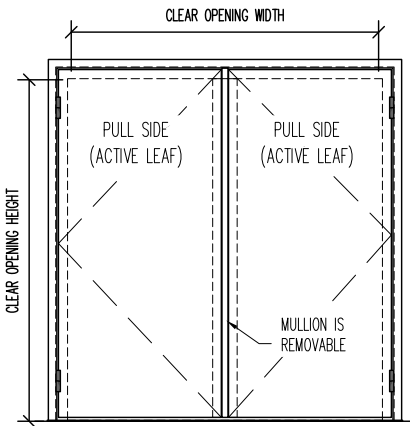
**NOISE BARRIERS**  
 401 AIRPORT DRIVE  
 NORTH AURORA, IL 60532  
 Phone: (847) 843-0500  
 Fax: (847) 843-0501  
 www.noisebarriers.com

PROJECT NAME: \_\_\_\_\_ CUSTOMER: \_\_\_\_\_

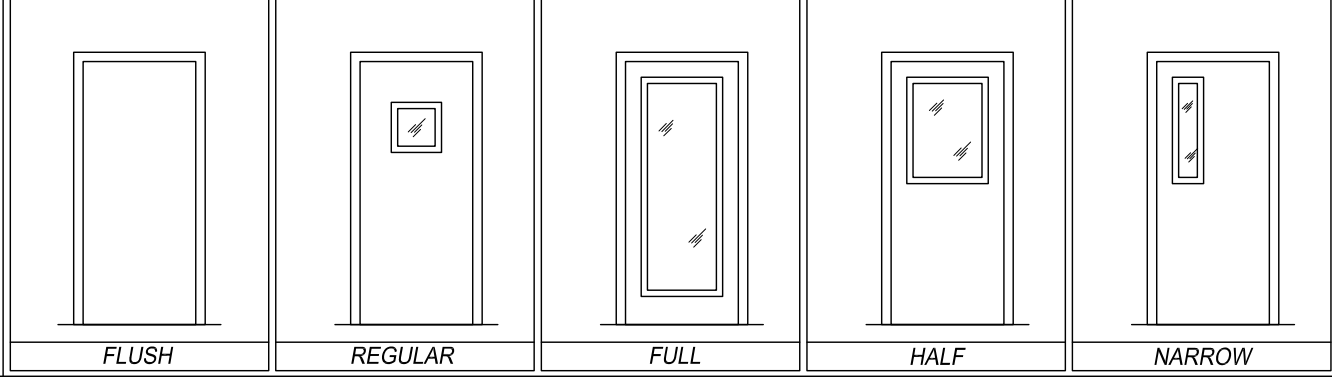
APPLICATION:  INTERIOR  EXTERIOR FINISH: \_\_\_\_\_ NB JOB #: \_\_\_\_\_

## DOUBLE-LEAF DOOR SPECIFICATIONS

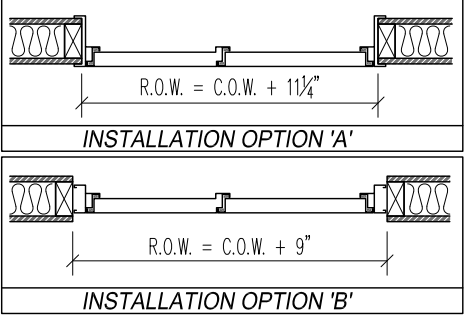
DOOR No.	DOOR SWING (ACTIVE LEAF)	WINDOW OPTION		INSTALLATION OPTION	CLEAR OPENING WIDTH	CLEAR OPENING HEIGHT	ROUGH OPENING WIDTH	ROUGH OPENING HEIGHT	THROAT DIMENSION
		ACTIVE	INACTIVE						



WINDOW OPTIONS



INSTALLATION OPTION



### HARDWARE SCHEDULE

HINGES	NBL-CLH-100 OFFSET CAM-LIFTING HINGES (QTY. (2) PER LEAF / FINISH: DULL SILVER)	QTY. 4
DOOR BOTTOM	MFG. STANDARD TEFLON COATED COMPRESSION SEAL	QTY. 2
HD/JMB/ASTRAGAL SEALS	MFG. STANDARD DOUBLE MAGNETIC SEALS	As Req'd
THRESHOLD	ONE-PIECE 1/4" ALUMINUM SILL PLATE	QTY. 1

NOTES: \_\_\_\_\_

STC-52 DOUBLE-LEAF DOOR  
W/ REMOVABLE MULLION  
SPECIFICATIONS

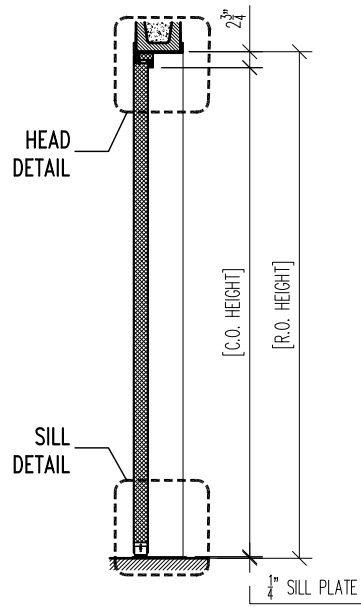
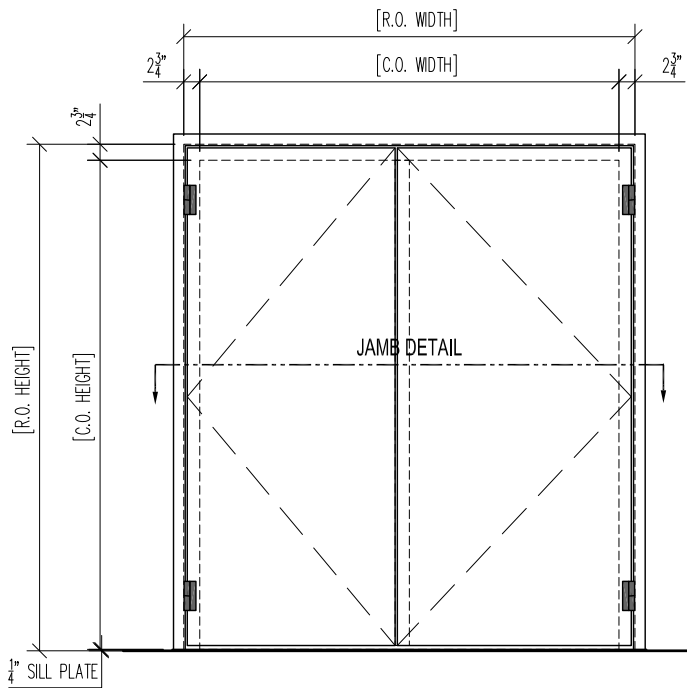
PROJECT:		TYPE:	
SUBMITTED BY:	DATE:	ISSUE:	
APPROVED BY:	DATE:	PROJECT No.:	
PROJ. MGR.	SHEET: DS-4		

NOISE BARRIERS

401 AIRPORT DRIVE  
NORTH AURORA, IL 60532  
Phone: (847) 843-0500  
Fax: (847) 843-0501  
www.noisebarriers.com



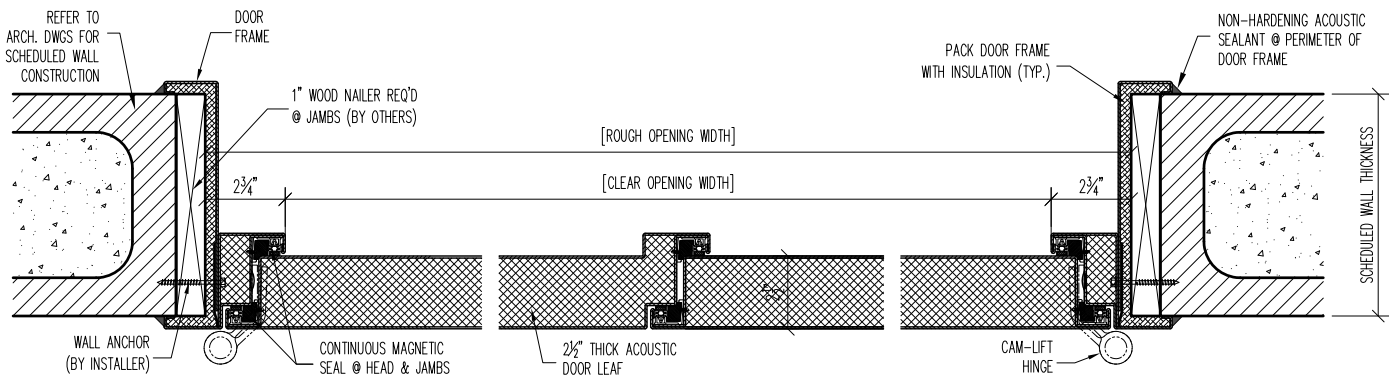




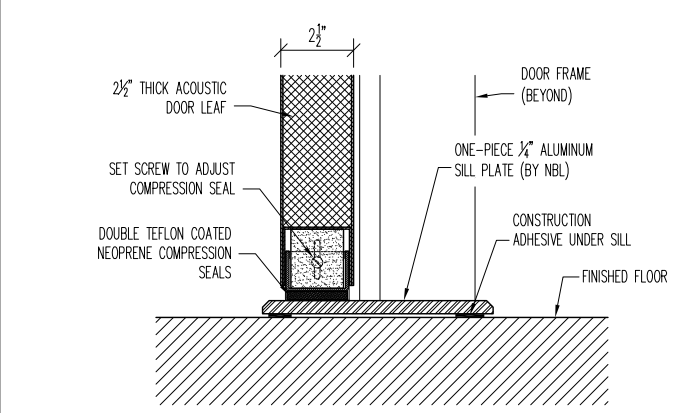
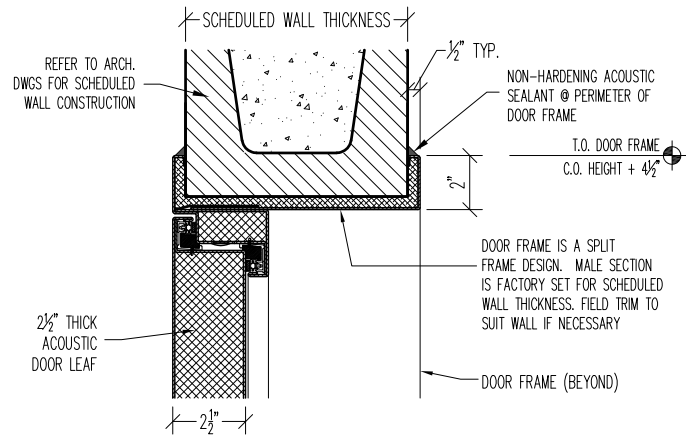
AS SHOWN @ DOORS	

OPP. HAND @ DOORS	



**1 JAMB DETAIL**



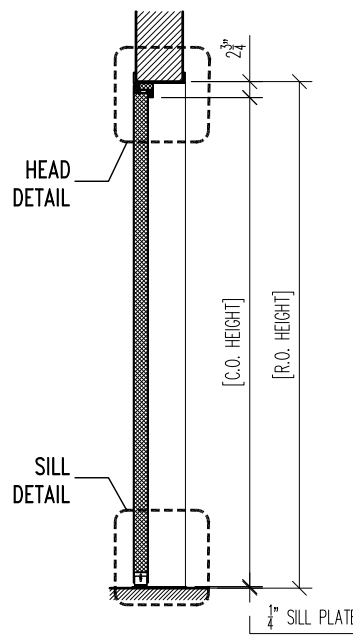
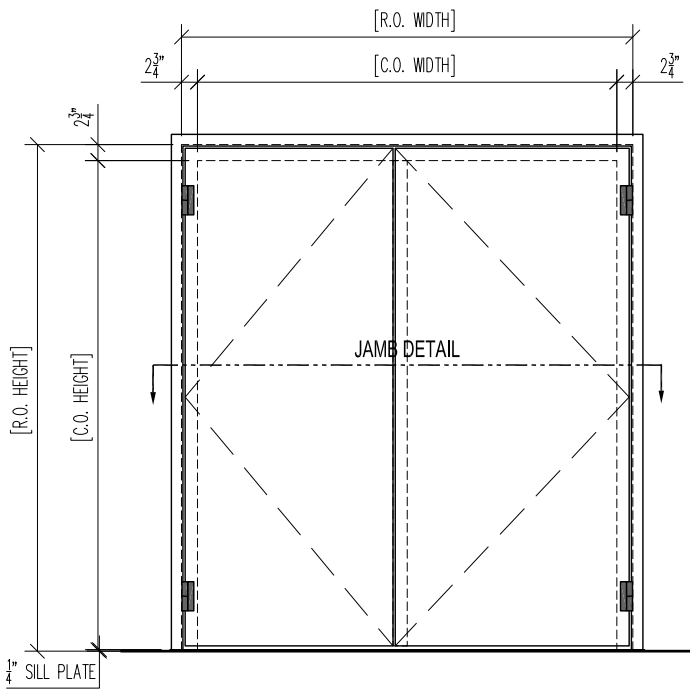
**2 HEAD DETAIL**

**3 SILL DETAIL**

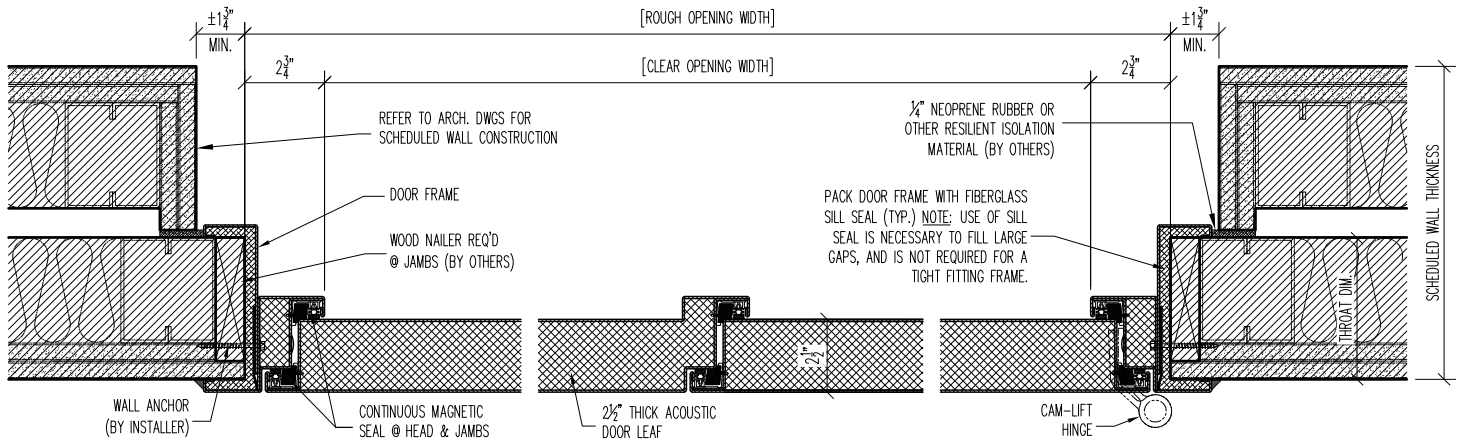
**STC-52 DL-DOOR  
TYPICAL - TYPE 'A'  
INSTALL DETAILS**

PROJECT:		TYPE:	
SUBMITTED BY:	DATE:	ISSUE:	
APPROVED BY:	DATE:	PROJECT No.:	
PROJ. MGR.	SHEET:		

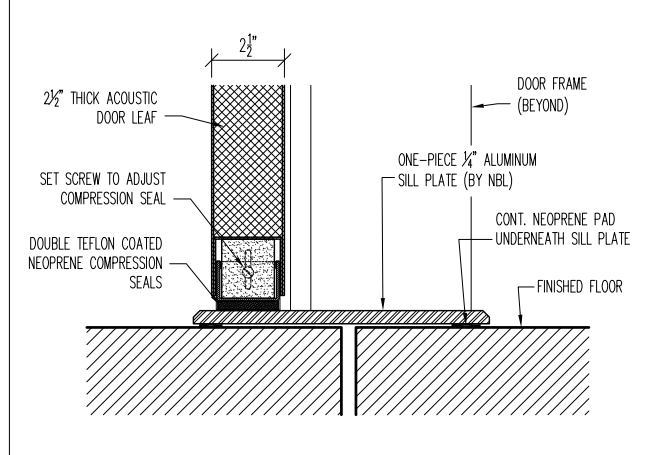
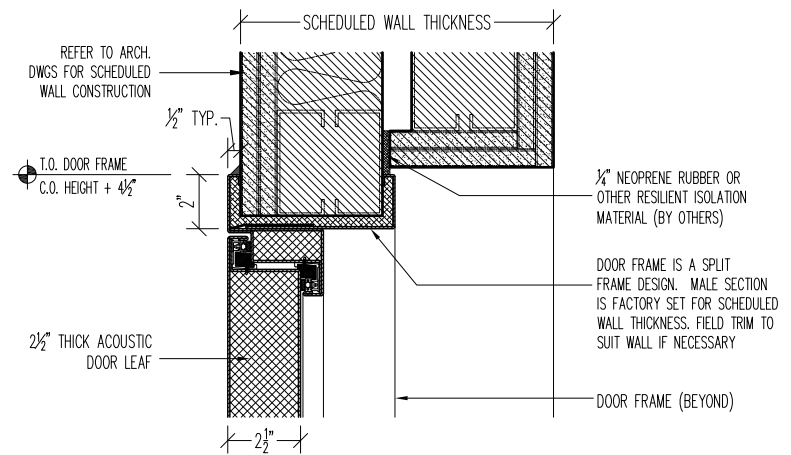
**NOISE BARRIERS**  
 401 AIRPORT DRIVE  
 NORTH AURORA, IL 60532  
 Phone: (847) 843-0500  
 Fax: (847) 843-0501  
 www.noisebarriers.com



AS SHOWN @ DOORS		
OPP. HAND @ DOORS		



### 1 JAMB DETAIL



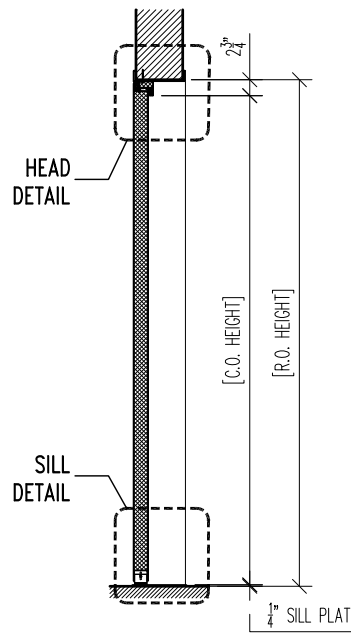
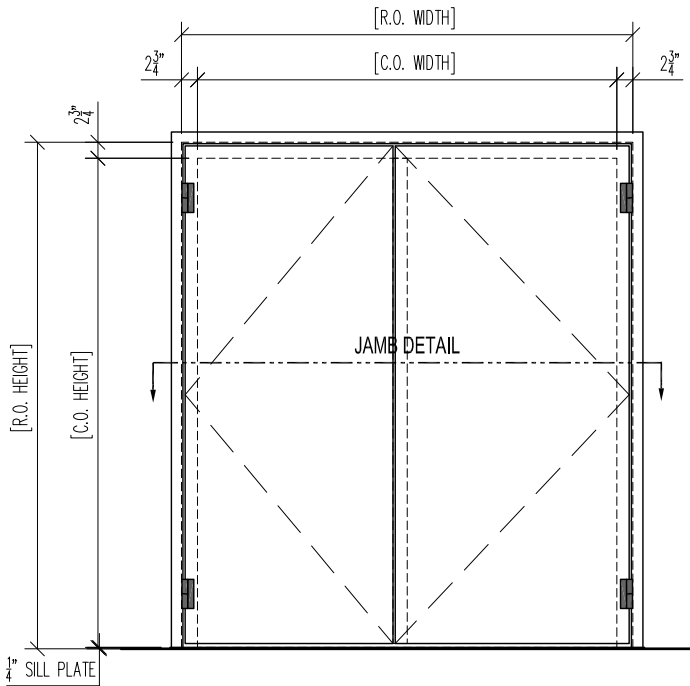
### 2 HEAD DETAIL

### 3 SILL DETAIL

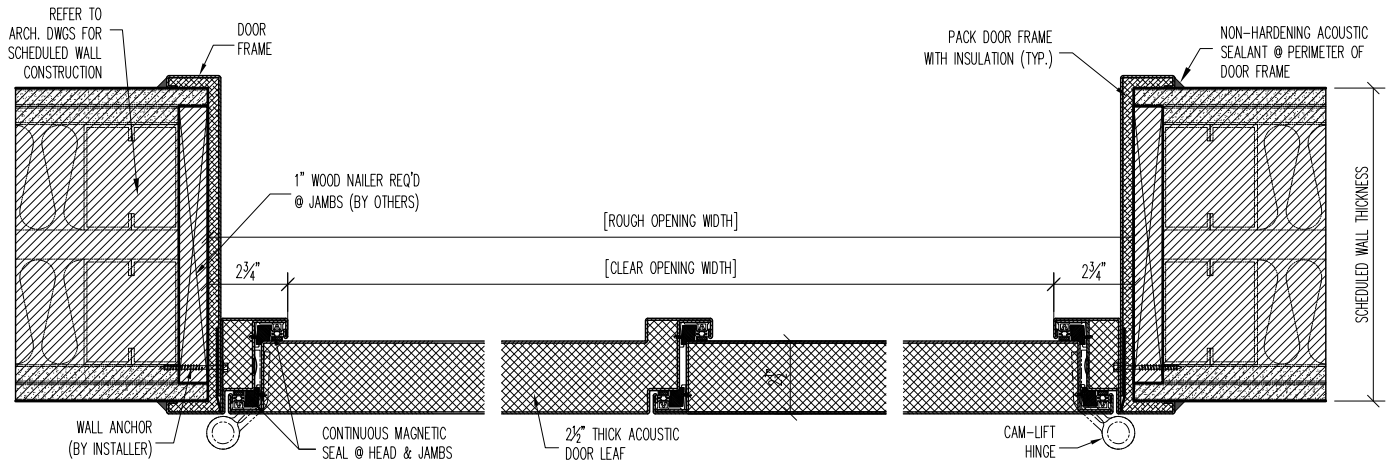
**STC-52 DL-DOOR  
TYPICAL - TYPE 'A'  
INSTALL DETAILS**

PROJECT:		TYPE:	
SUBMITTED BY:	DATE:	ISSUE:	
APPROVED BY:	DATE:	PROJECT No.:	
PROJ. MGR.	SHEET:		

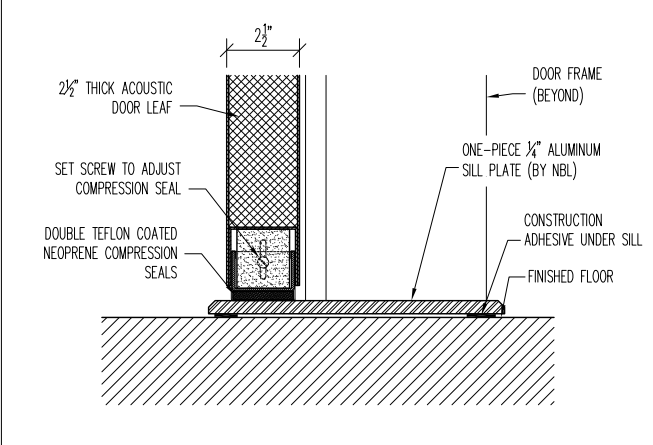
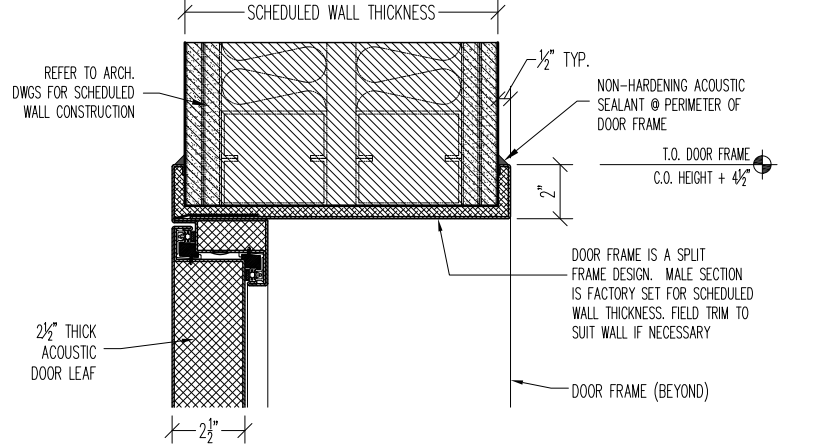
**NOISE BARRIERS**  
 401 AIRPORT DRIVE  
 NORTH AURORA, IL 60532  
 Phone: (847) 843-0500  
 Fax: (847) 843-0501  
 www.noisebarriers.com



AS SHOWN @ DOORS		
OPP. HAND @ DOORS		



### 1 JAMB DETAIL



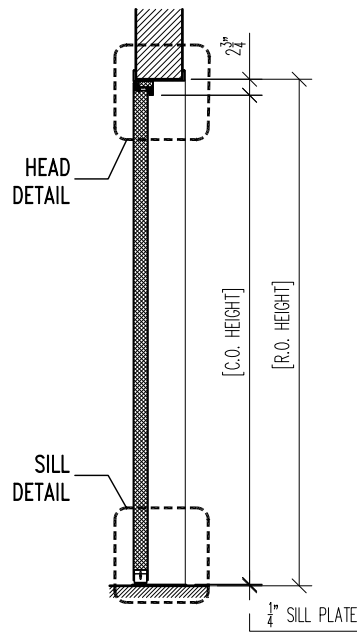
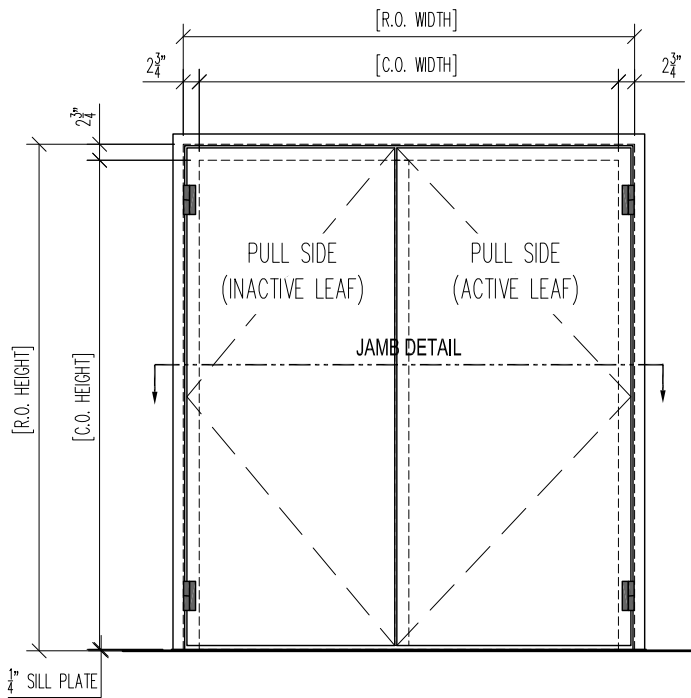
### 2 HEAD DETAIL

### 3 SILL DETAIL

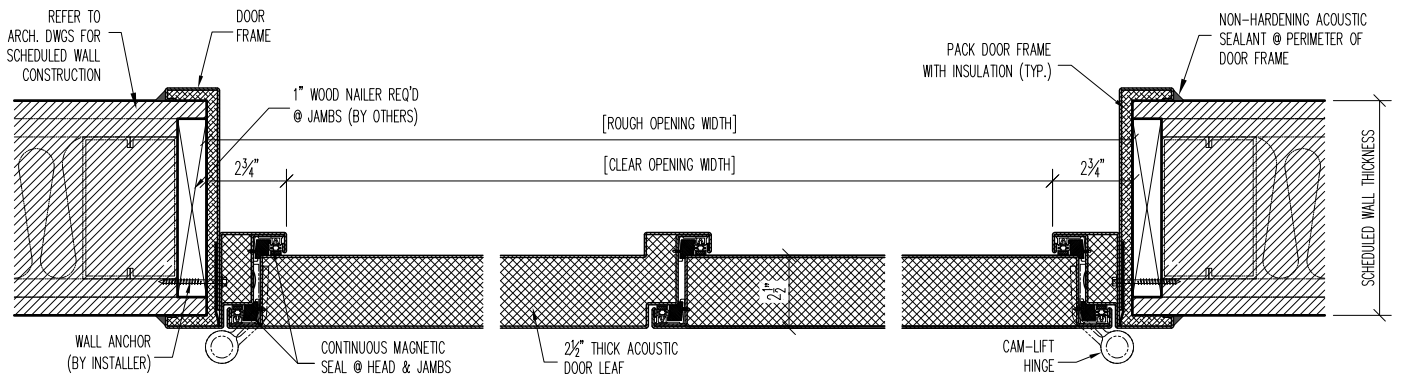
**STC-52 DL-DOOR  
TYPICAL - TYPE 'A'  
INSTALL DETAILS**

PROJECT:		TYPE:
SUBMITTED BY:	DATE:	ISSUE:
APPROVED BY:	DATE:	PROJECT No.:
PROJ. MGR.	SHEET:	

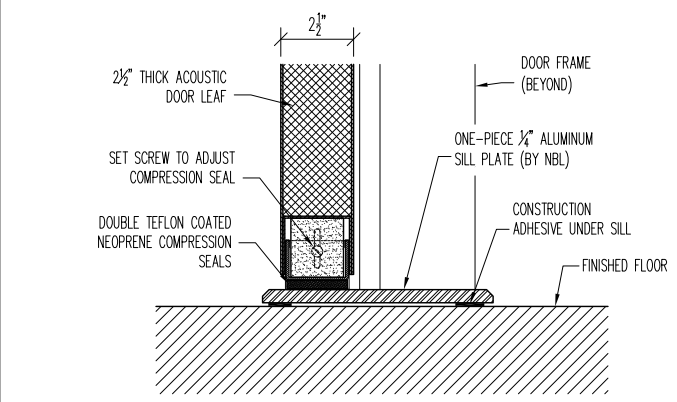
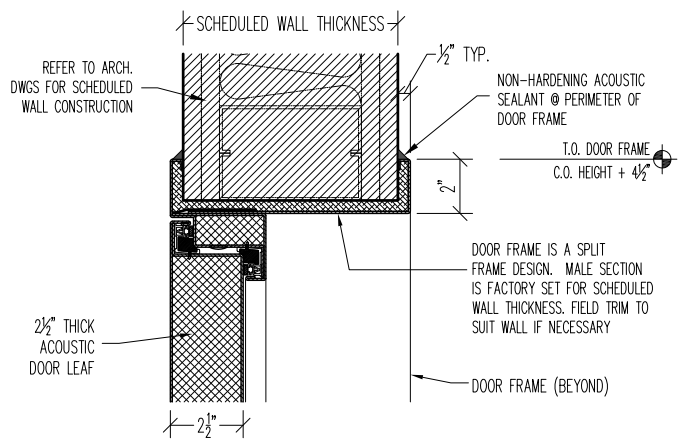
**NOISE BARRIERS**  
 401 AIRPORT DRIVE  
 NORTH AURORA, IL 60532  
 Phone: (847) 843-0500  
 Fax: (847) 843-0501  
 www.noisebarriers.com



AS SHOWN @ DOORS		
OPP. HAND @ DOORS		



**1 JAMB DETAIL**



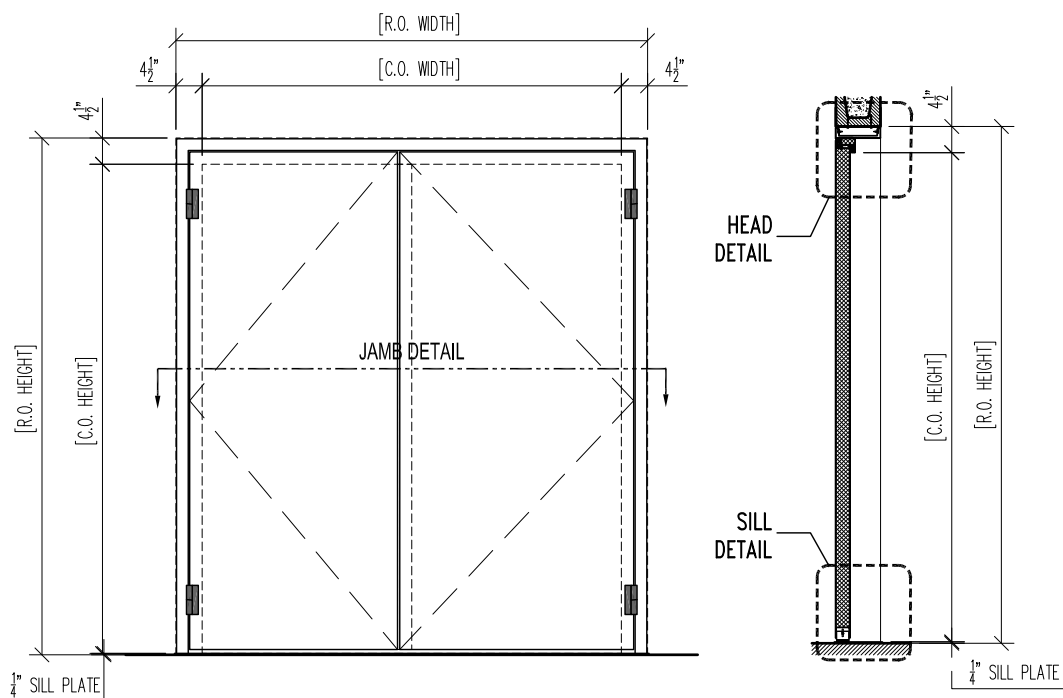
**2 HEAD DETAIL**

**3 SILL DETAIL**

**STC-52 DL-DOOR  
TYPICAL - TYPE 'A'  
INSTALL DETAILS**

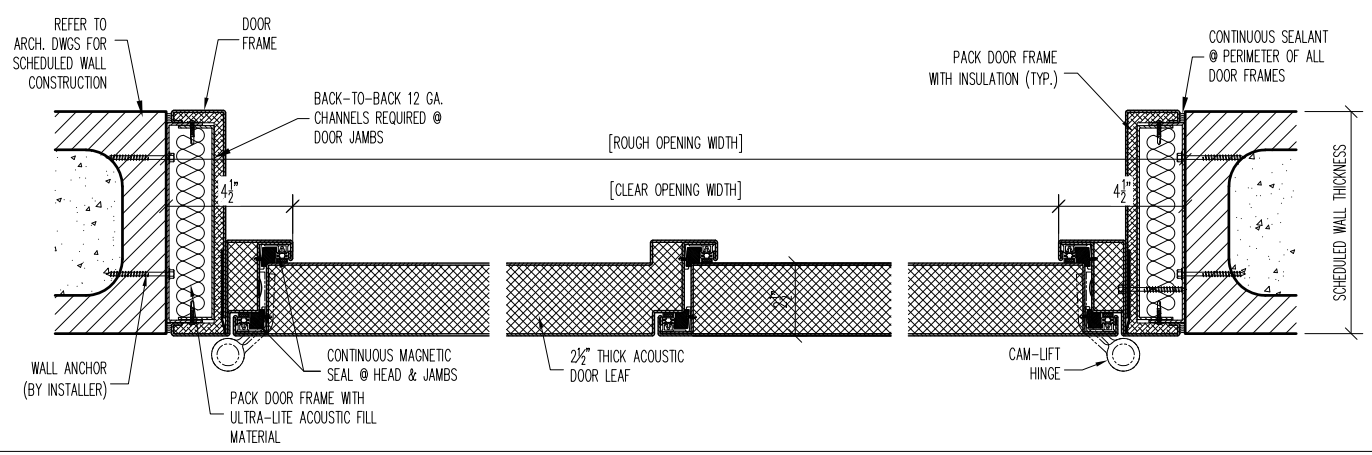
PROJECT:		TYPE:	
SUBMITTED BY:	DATE:	ISSUE:	
APPROVED BY:	DATE:	PROJECT No.:	
PROJ. MGR.	SHEET:		

**NOISE BARRIERS**  
 401 AIRPORT DRIVE  
 NORTH AURORA, IL 60532  
 Phone: (847) 843-0500  
 Fax: (847) 843-0501  
 www.noisebarriers.com

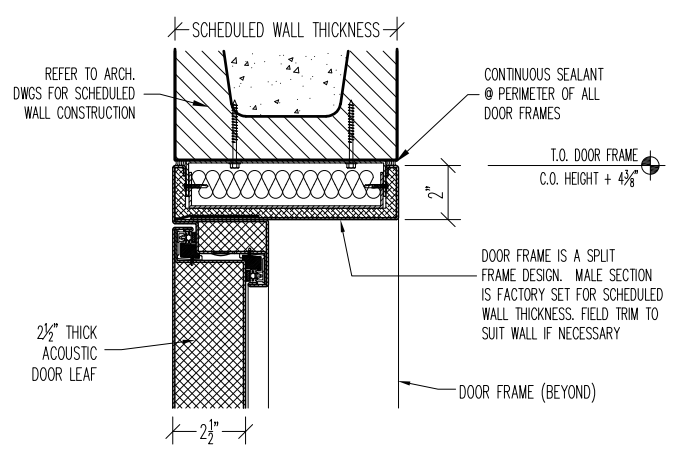


**AS SHOWN @ DOORS**

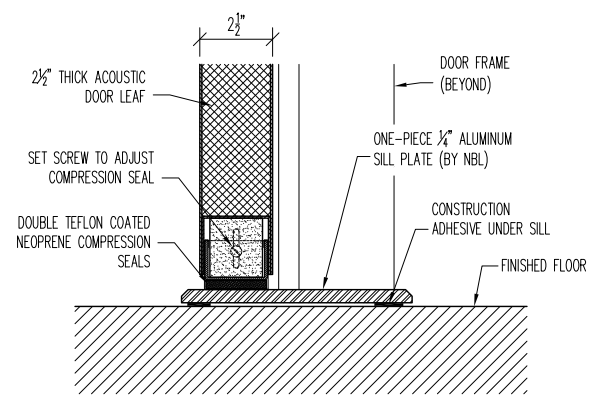

**OPP. HAND @ DOORS**

**1 JAMB DETAIL**



**3 SILL DETAIL**

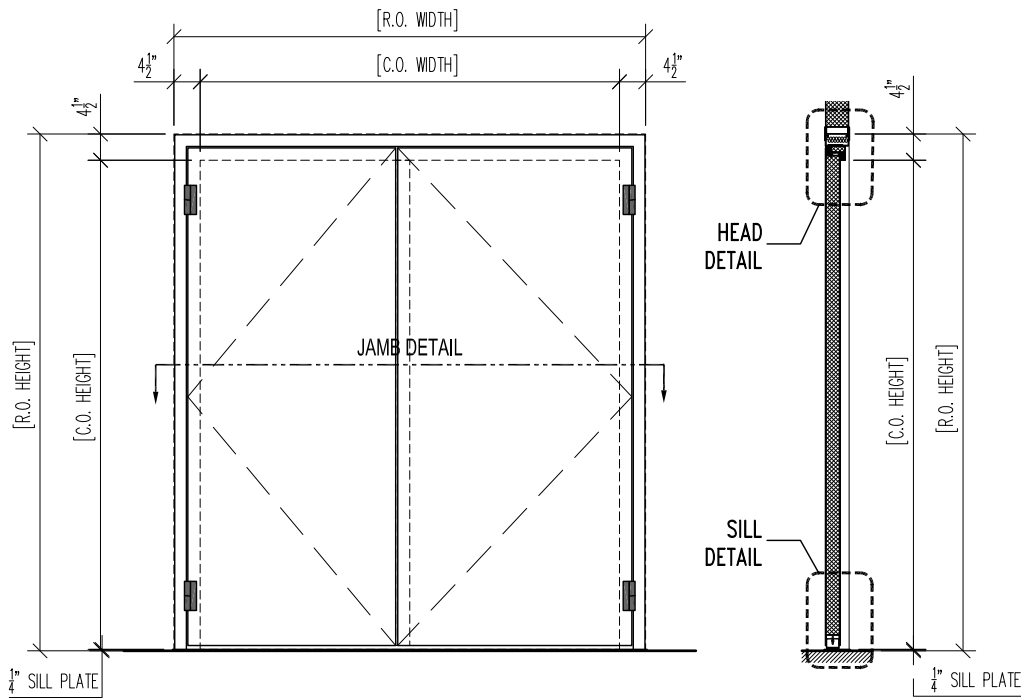


**2 HEAD DETAIL**

**STC-52 DL-DOOR  
TYPICAL - TYPE 'B'  
INSTALL DETAILS**

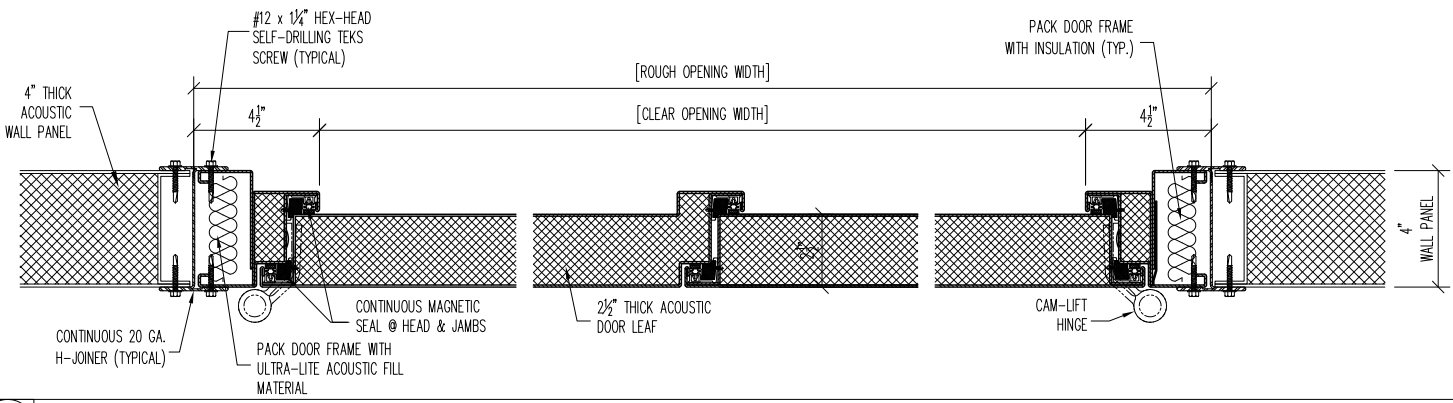
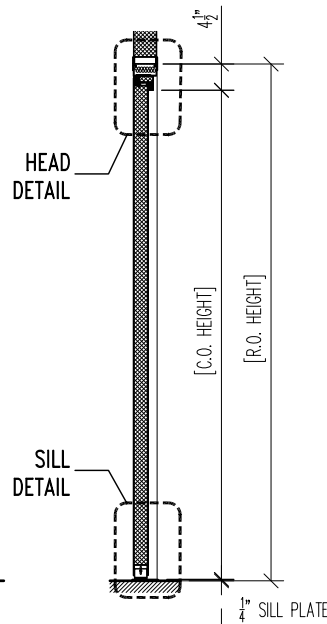
PROJECT:		TYPE:
SUBMITTED BY:	DATE:	ISSUE:
APPROVED BY:	DATE:	PROJECT No.:
PROJ. MGR.	SHEET:	

**NOISE BARRIERS**  
401 AIRPORT DRIVE  
NORTH AURORA, IL 60532  
Phone: (847) 843-0500  
Fax: (847) 843-0501  
www.noisebarriers.com

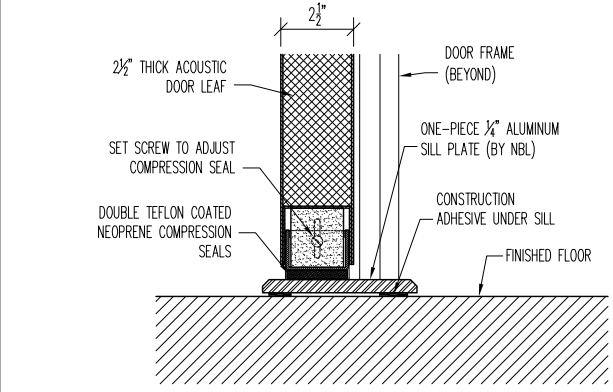
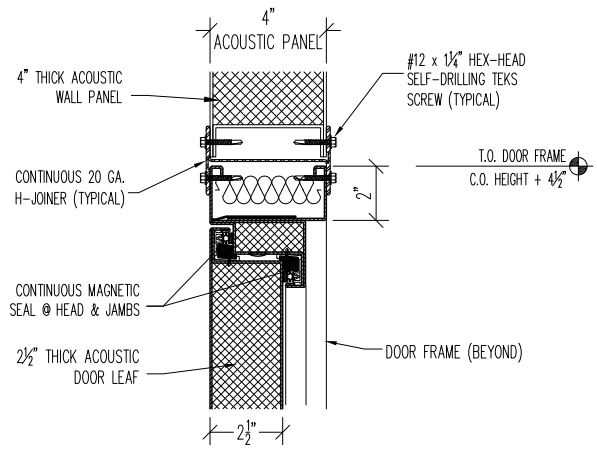


AS SHOWN @ DOORS


OPP. HAND @ DOORS

**1 JAMB DETAIL**



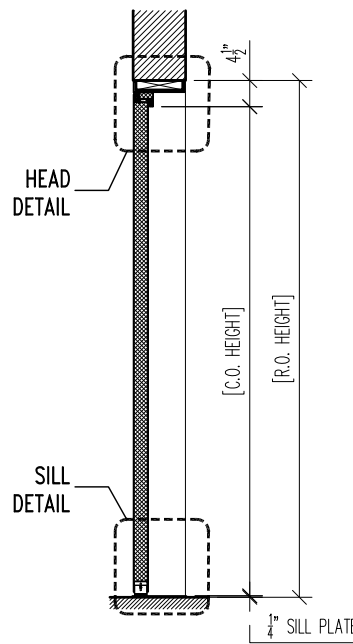
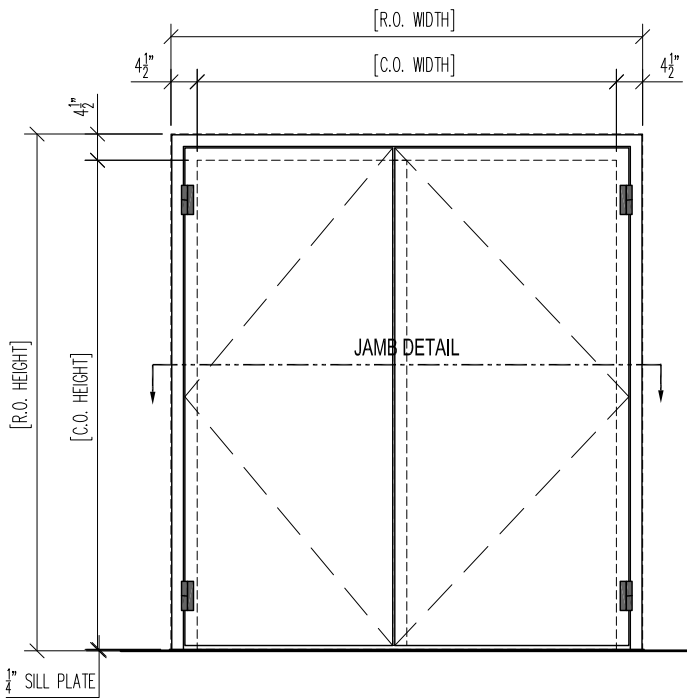
**2 HEAD DETAIL**

**3 SILL DETAIL**

**STC-52 DL-DOOR  
TYPICAL - TYPE 'B'  
INSTALL DETAILS**

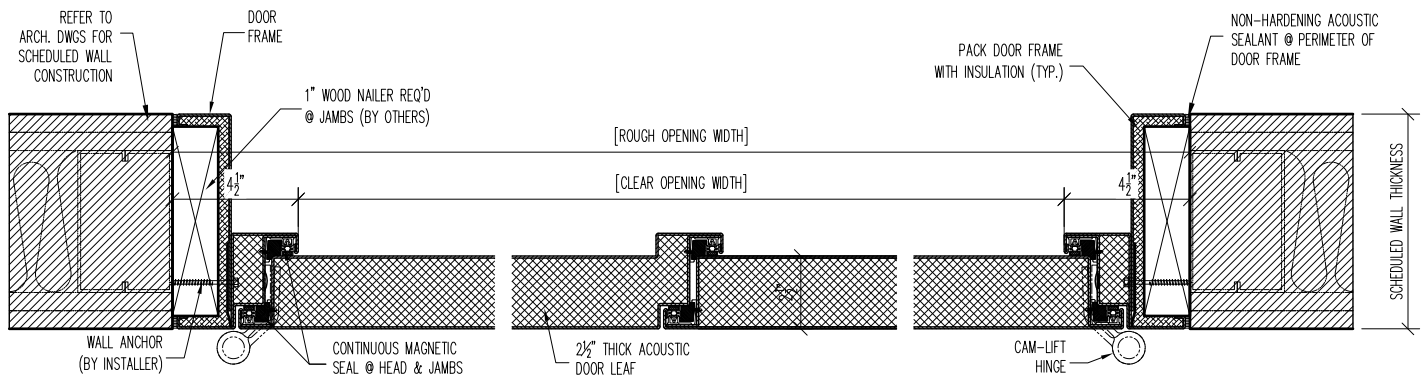
PROJECT:		TYPE:	
SUBMITTED BY:	DATE:	ISSUE:	
APPROVED BY:	DATE:	PROJECT No.:	
PROJ. MGR.	SHEET:		

**NOISE BARRIERS**  
401 AIRPORT DRIVE  
NORTH AURORA, IL 60532  
Phone: (847) 843-0500  
Fax: (847) 843-0501  
www.noisebarriers.com

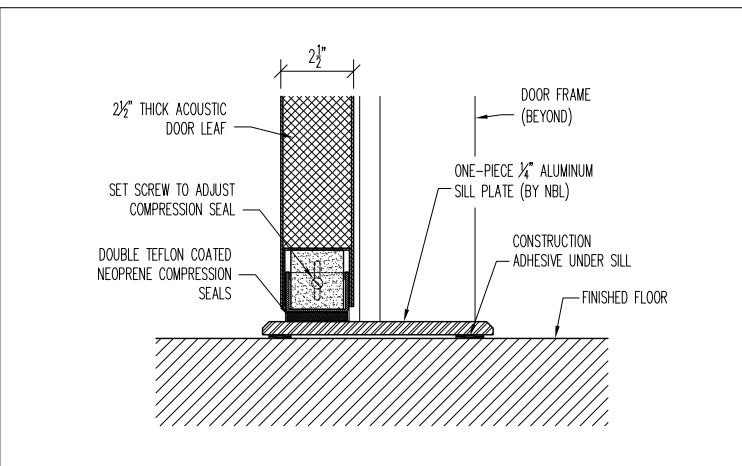
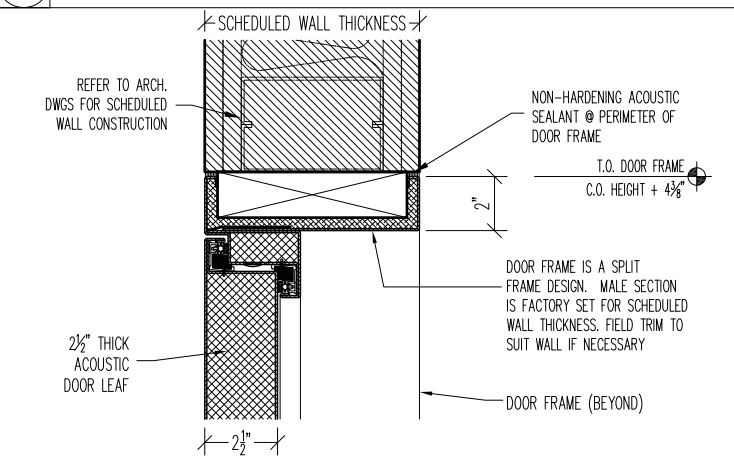


**AS SHOWN @ DOORS**


**OPP. HAND @ DOORS**

**1 JAMB DETAIL**



**2 HEAD DETAIL**

**3 SILL DETAIL**

**STC-52 DL-DOOR  
TYPICAL - TYPE 'B'  
INSTALL DETAILS**

PROJECT:		TYPE:	
SUBMITTED BY:	DATE:	ISSUE:	
APPROVED BY:	DATE:	PROJECT No.:	
PROJ. MGR.	SHEET:		

**NOISE BARRIERS**  
401 AIRPORT DRIVE  
NORTH AURORA, IL 60532  
Phone: (847) 843-0500  
Fax: (847) 843-0501  
www.noisebarriers.com