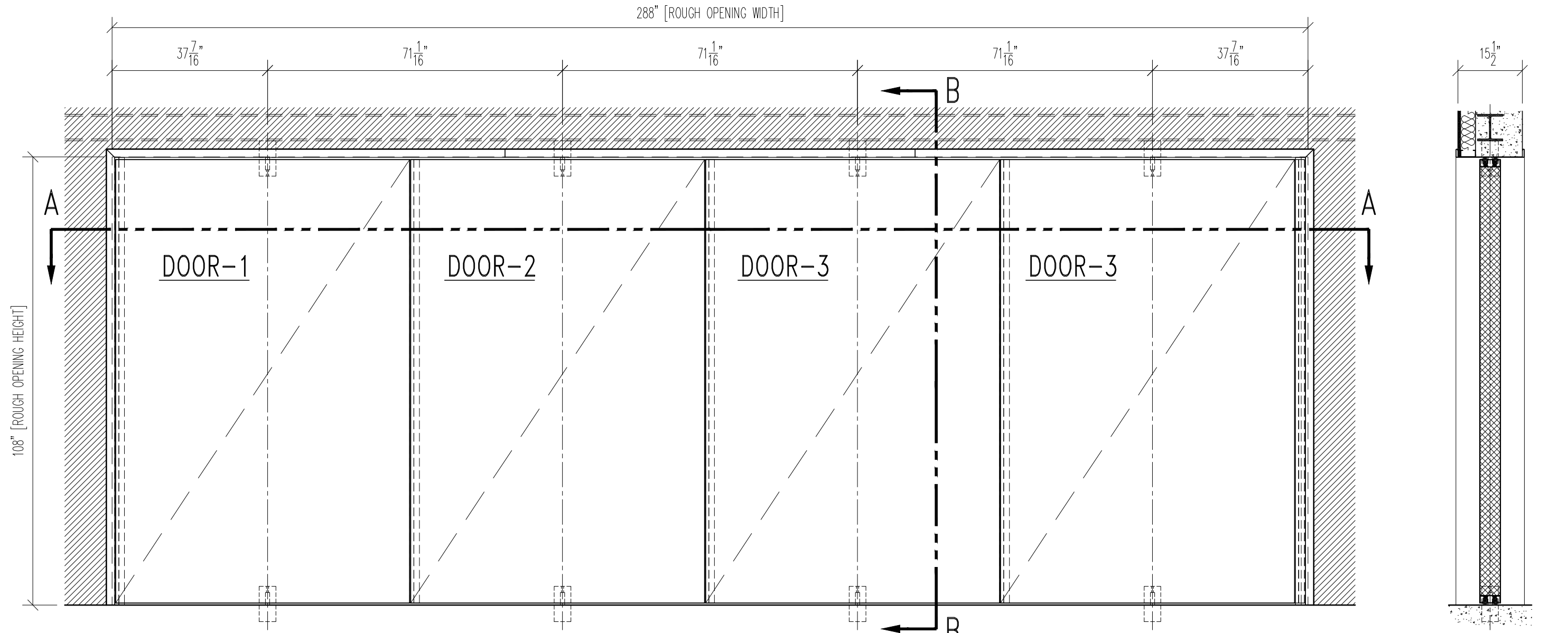


SECTION A-A



FRONT ELEVATION - DOORS IN CLOSED POSITION

SECTION B-B

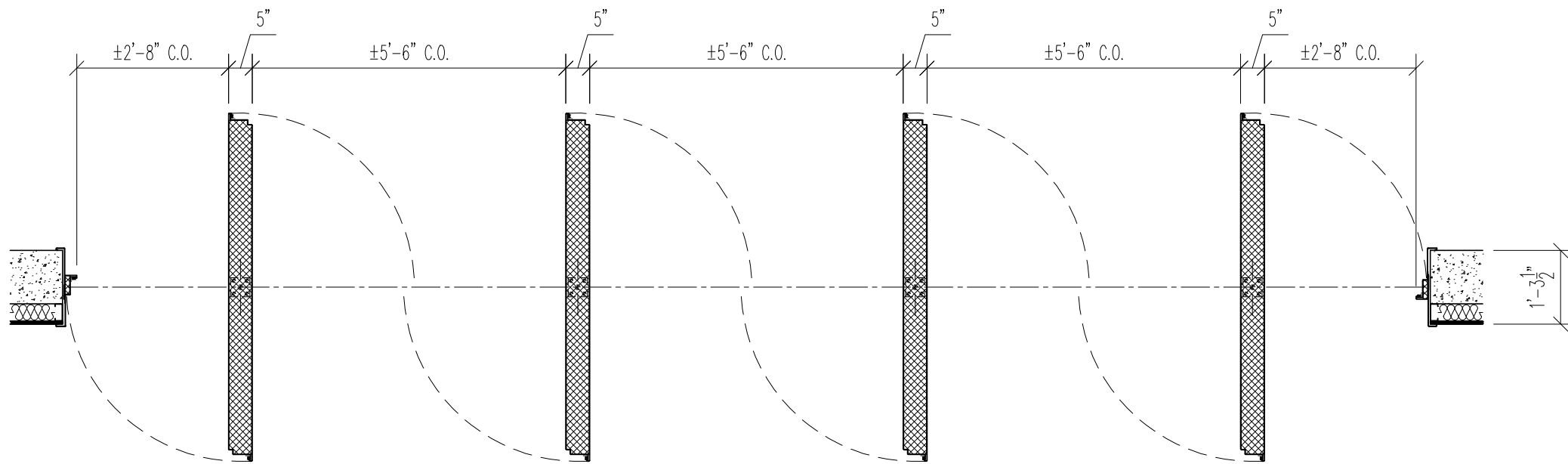
DOORS [318A], [318B], [318C] & [318D]

PROPRIETARY
 THIS DESIGN AND DRAWING IS THE EXCLUSIVE PROPERTY OF NOISE BARRIERS, LLC. AND IS SUBMITTED AS CONFIDENTIAL INFORMATION IN CONNECTION WITH YOUR INQUIRY. IT MUST NOT BE USED FOR ANY OTHER PURPOSES, NOR CAN IT BE COPIED OR LOANED WITHOUT WRITTEN PERMISSION. UPON REQUEST IT MUST BE RETURNED IMMEDIATELY.

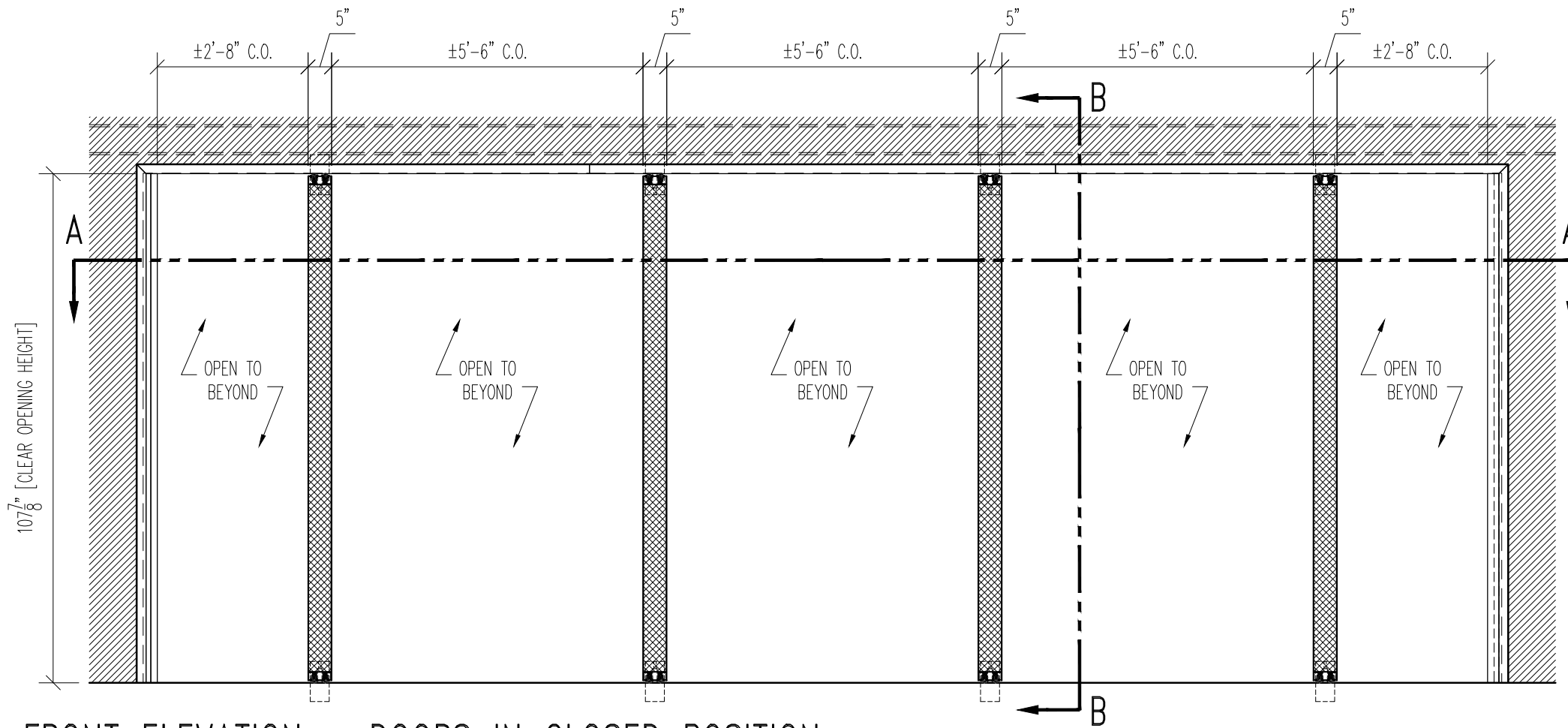
REVISIONS	DESCRIPTION	DATE	BY
MFG. RELEASE		7/25/13	MAH

DESCRIPTION			
STC-48 PIVOT DOORS - CLOSED POSITION			
PROJECT			
-			
DRAWN BY	MAH	SCALE	N.T.S.
DATE	9/27/13	SHEET	PDS-1
		PROJECT NO.	004-7540

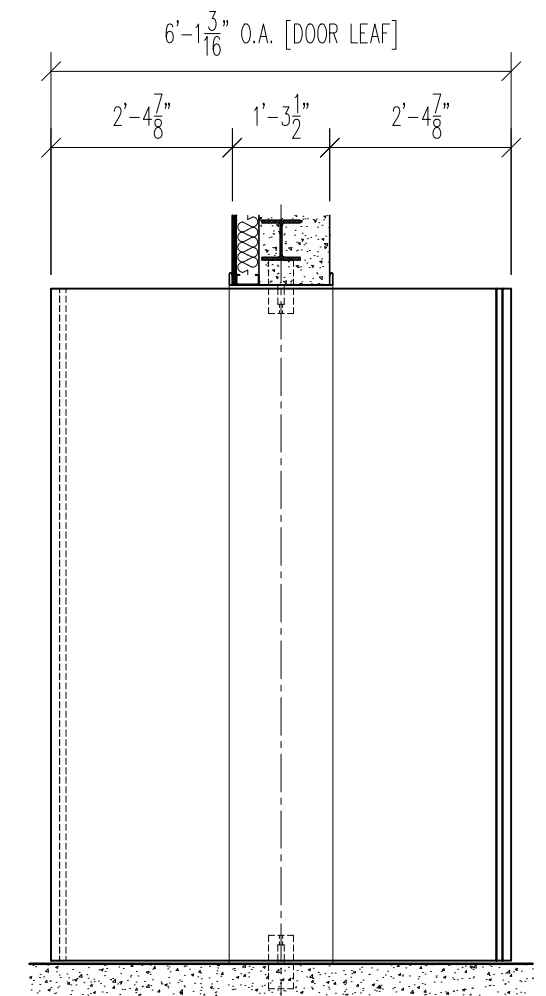
Memtech Acoustics
 2175 Avon Industrial Dr Rochester Hills, MI 48309
 (248) 289-1123
 www.memtechacoustics.com



SECTION A-A



FRONT ELEVATION - DOORS IN CLOSED POSITION



SECTION B-B

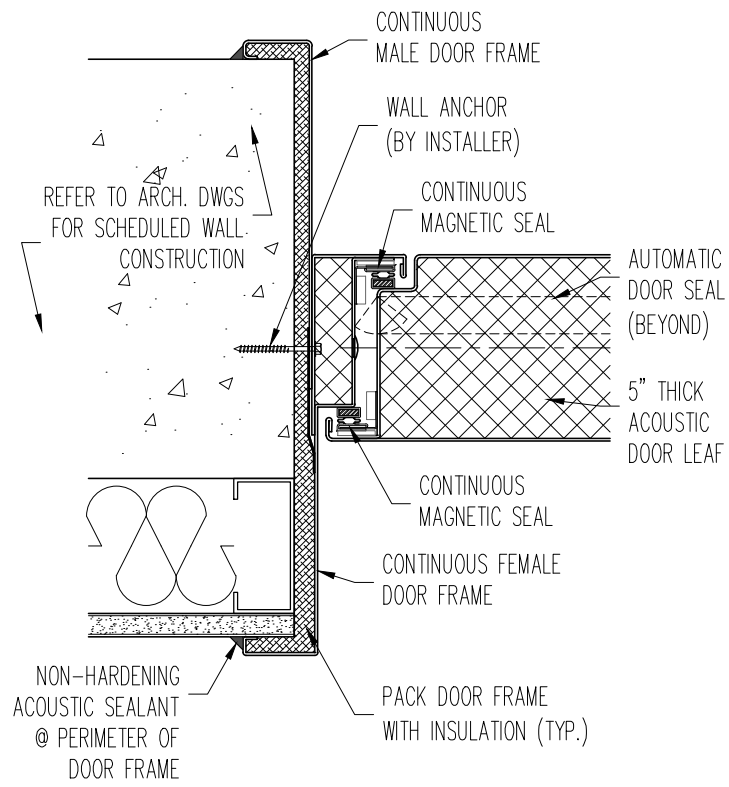
DOORS [318A], [318B], [318C] & [318D]

PROPRIETARY
THIS DESIGN AND DRAWING IS THE EXCLUSIVE PROPERTY OF NOISE BARRIERS, LLC. AND IS SUBMITTED AS CONFIDENTIAL INFORMATION IN CONNECTION WITH YOUR INQUIRY. IT MUST NOT BE USED FOR ANY OTHER PURPOSES, NOR CAN IT BE COPIED OR LOANED WITHOUT WRITTEN PERMISSION. UPON REQUEST IT MUST BE RETURNED IMMEDIATELY.

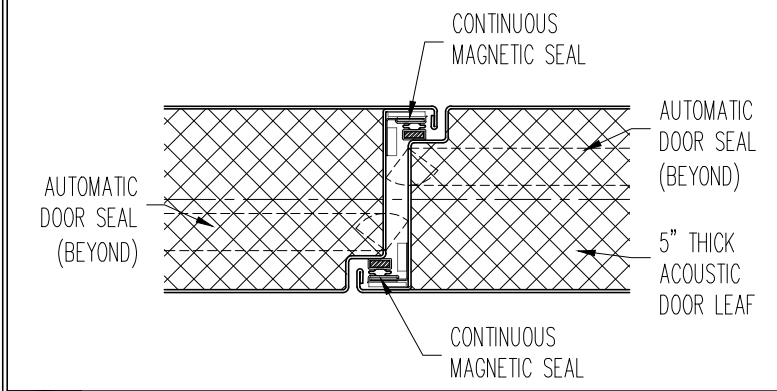
REVISIONS	DESCRIPTION	DATE	BY
MFG. RELEASE		7/25/13	MAH

DESCRIPTION			
STC-48 PIVOT DOORS - OPEN POSITION			
PROJECT			
-			
DRAWN BY	MAH	SCALE	N.T.S.
DATE	9/27/13	SHEET	PDS-2
		PROJECT NO.	004-7540

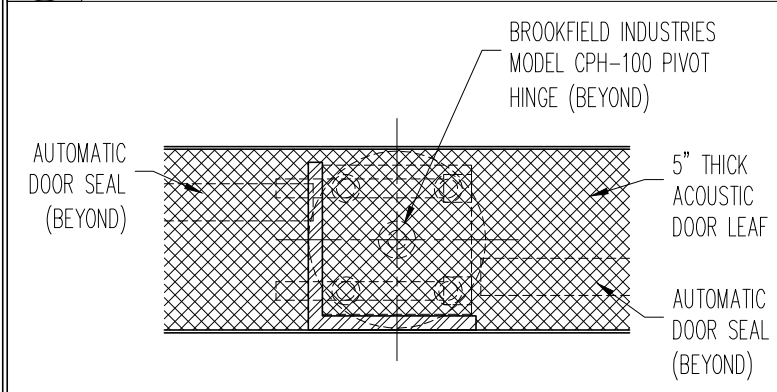
Memtech Acoustics
2175 Avon Industrial Dr Rochester Hills, MI 48309
(248) 289-1123
www.memtechacoustics.com



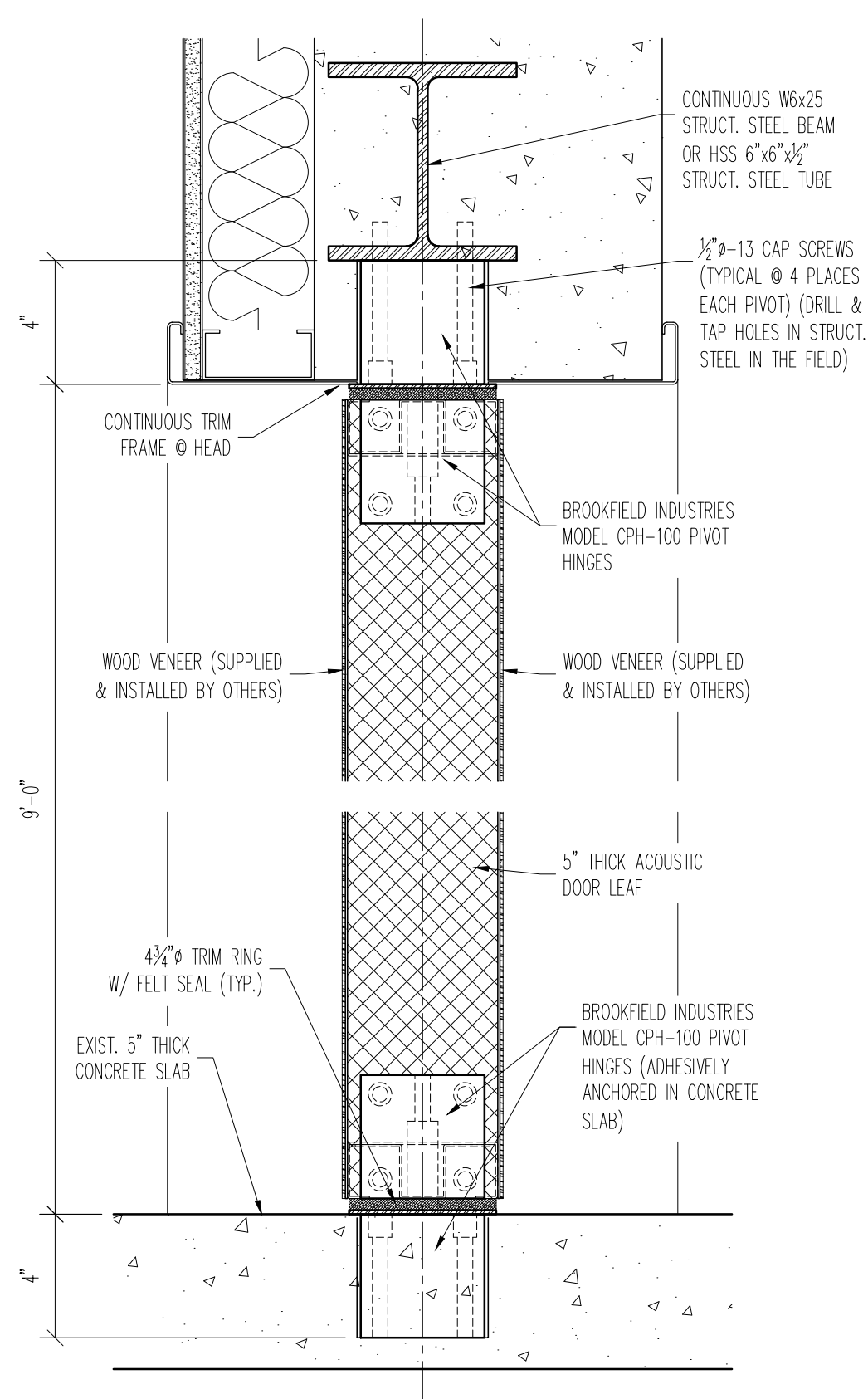
1
PDS-3
DETAIL @ JAMB



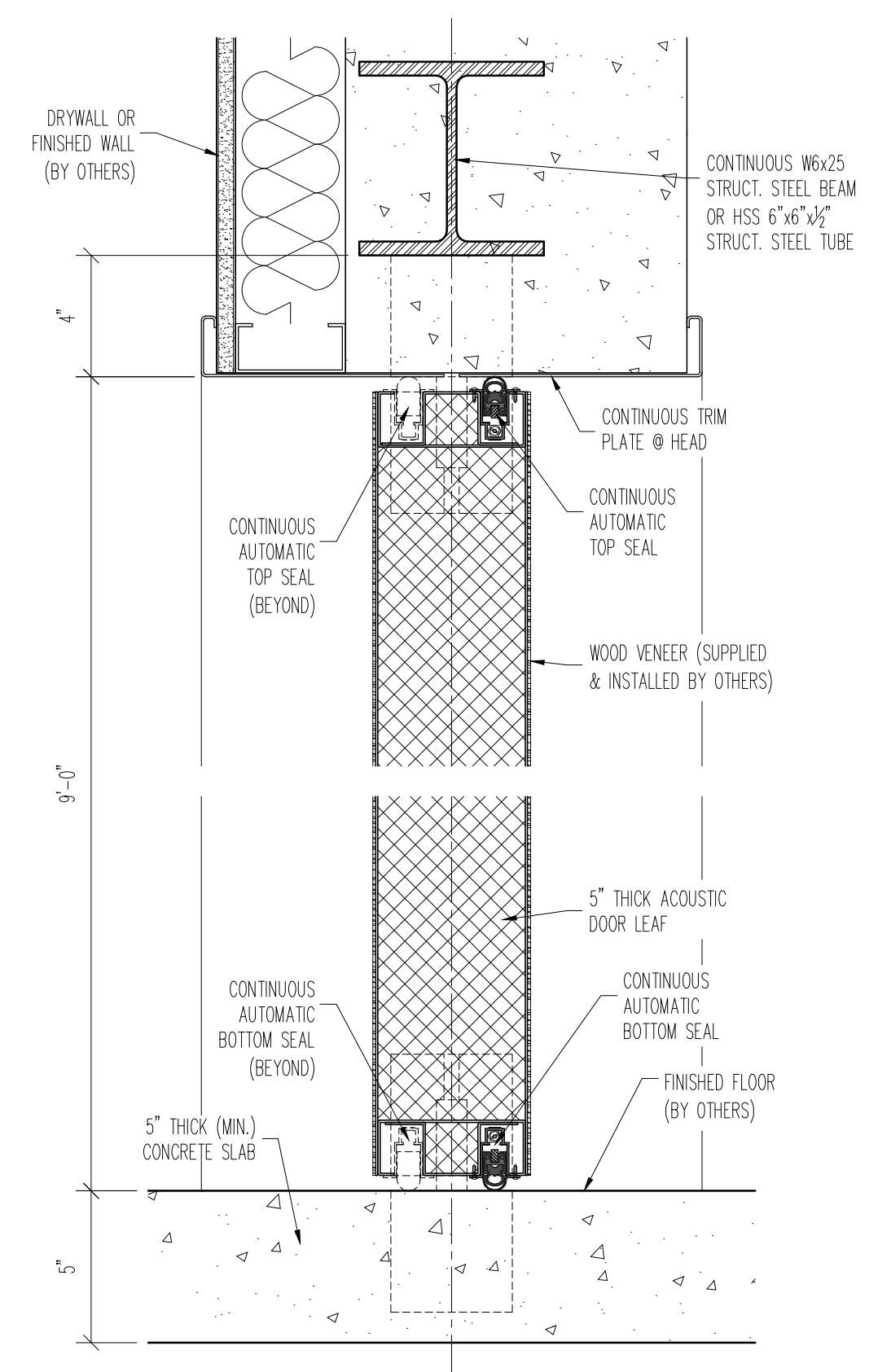
2
PDS-3
DETAIL @ ASTRAGAL



3
PDS-3
DETAIL @ ASTRAGAL



4
PDS-3
HEAD & SILL DETAILS @ PIVOTS



5
PDS-3
HEAD & SILL DETAILS @ SEALS

DOORS [318A], [318B], [318C] & [318D]

PROPRIETARY
THIS DESIGN AND DRAWING IS THE EXCLUSIVE PROPERTY OF NOISE BARRIERS, LLC. AND IS SUBMITTED AS CONFIDENTIAL INFORMATION IN CONNECTION WITH YOUR INQUIRY. IT MUST NOT BE USED FOR ANY OTHER PURPOSES, NOR CAN IT BE COPIED OR LOANED WITHOUT WRITTEN PERMISSION. UPON REQUEST IT MUST BE RETURNED IMMEDIATELY.

REVISIONS	DESCRIPTION	DATE	BY
MFG. RELEASE		7/25/13	MAH

STC-48 PIVOT DOORS - DETAILS			
PROJECT			
-			
DESCRIPTION	DATE	BY	PROJECT NO.
DRAWN BY	MAH	SCALE	N.T.S.
DATE	9/27/13	SHEET	PDS-3
			004-7540

Memtech Acoustics
2175 Avon Industrial Dr Rochester Hills, MI 48309
(248) 289-1123
www.memtechacoustics.com