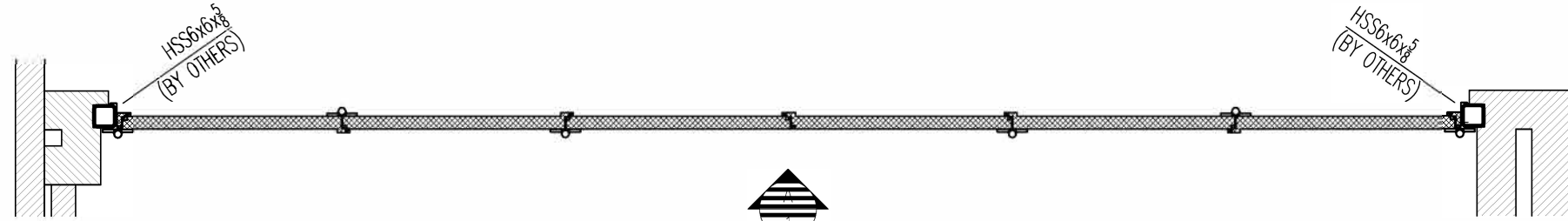
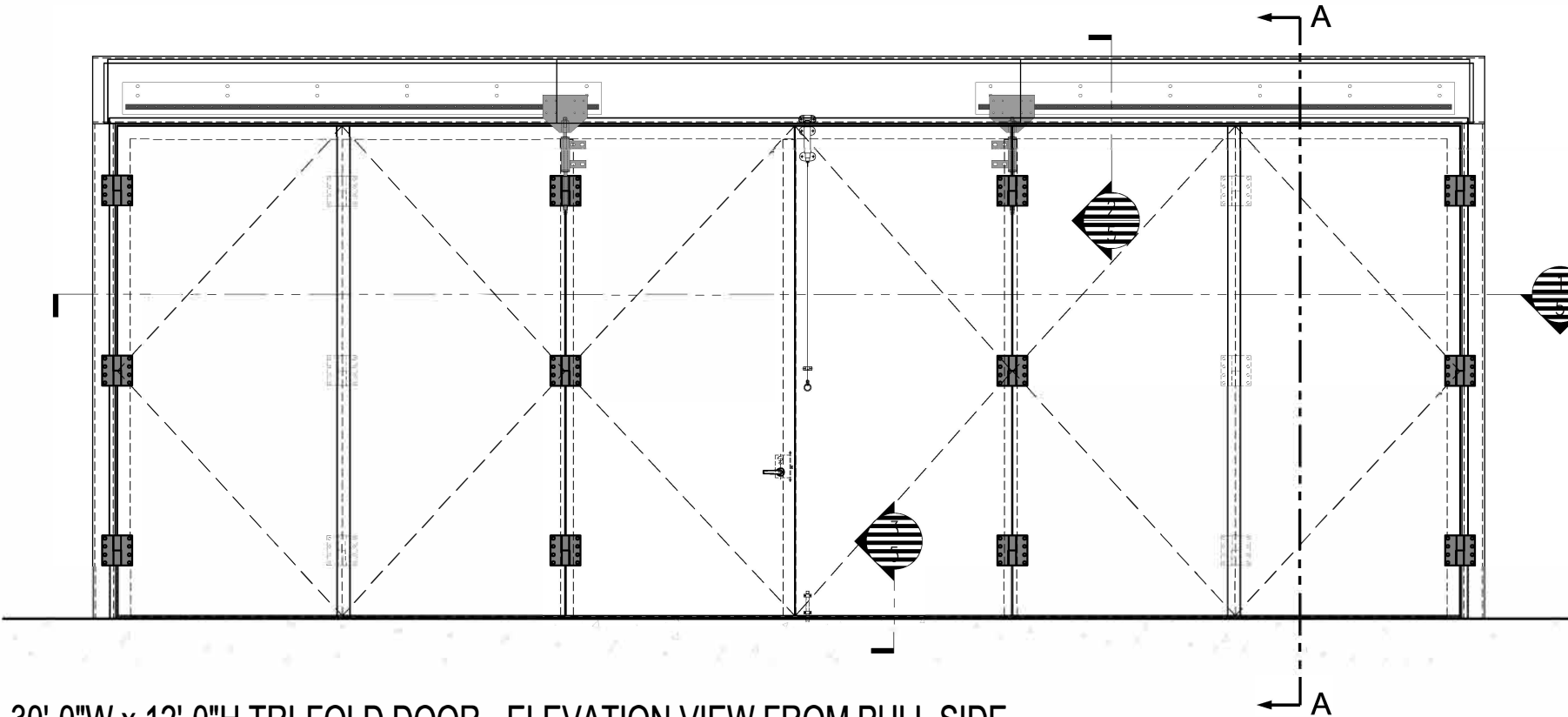


**2/1** 30'-0"W x 12'-0"H TRI-FOLD DOOR - PLAN VIEW  
DOOR SHOWN IN OPEN POSITION



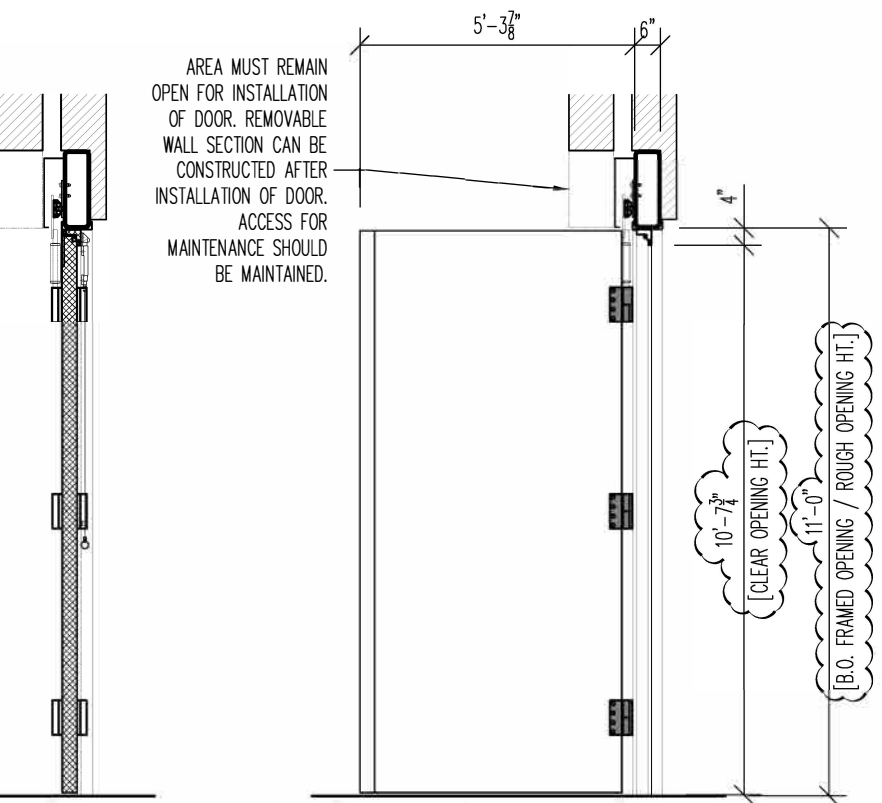
**1/1** 30'-0"W x 12'-0"H TRI-FOLD DOOR - PLAN VIEW  
DOOR SHOWN IN CLOSED POSITION



**A/1** 30'-0"W x 12'-0"H TRI-FOLD DOOR - ELEVATION VIEW FROM PULL SIDE  
DOOR SHOWN IN CLOSED POSITION

**GENERAL NOTES:**

- SCOPE OF WORK:** QTY. (1) 6-PANEL STC-56 TRI-FOLD ACOUSTIC DOOR & SEGMENTED FRAME ASSEMBLY AS MFG. BY NOISE BARRIERS.
- DOOR WEIGHT:** DOOR LEAVES = 18.8 lbs/sq ft.
- DOOR HARDWARE:**
  - QTY. (1) SCHLAGE L9070 MORTISED CLASSROOM LEVER/LOCKSET WITH PRIMUS XP KEYWAY & FSIC CYLINDER.
  - QTY. (1) HEAVY-DUTY SURFACE-MOUNTED SPRING BOLT WITH PULL CHAIN (SHIPPED LOOSE - FIELD INSTALLED @ PULL SIDE OF DOOR).
  - QTY. (1) ROCKWOOD 580-8" SURFACE-MOUNTED SLIDE BOLT (SHIPPED LOOSE - FIELD INSTALLED @ PULL SIDE OF DOOR).
  - QTY. (18) HEAVY-DUTY SURFACE-MOUNTED LEVEL SWING DOOR HINGES (FACTORY PREPPED @ ACOUSTIC DOOR LEAVES).
  - TRIPLE MAGNETIC SEALS (CONTINUOUS @ DOOR JAMBS & DOOR HEAD).
  - AUTOMATIC DROP DOWN SEAL (@ DOOR SILL).
  - QTY. (2) 35mm LINEAR GUIDE RAIL ASSEMBLIES WITH SUPPORT/GUIDE BRACKET ASSEMBLY.
- STRUCTURAL STEEL FRAMED OPENING AS SHOWN ON THESE DRAWINGS IS TO BE PROVIDED BY OTHERS.
- DOOR FINISHES:**
  - DOOR LEAVES / FRAME: POWDER-COAT RAL-9004 (SIGNAL BLACK) SATIN FINISH
  - LEVER / LOCKSET: 622 MATTE BLACK
  - SLIDE BOLTS: BSP (BLACK SUEDE POWDER-COAT)
  - SPRING BOLTS: SHOP PAINTED RAL-9004 (SIGNAL BLACK) SATIN FINISH
  - SURFACE-MOUNT CAM-LIFT HINGES: SHOP PAINTED RAL-9004 (SIGNAL BLACK) SATIN FINISH
  - MORTISED CAM-LIFT HINGES: POWDER-COAT RAL-9004 (SIGNAL BLACK) SATIN FINISH



**SECTION A-A**  
DOOR SHOWN IN CLOSED POSITION

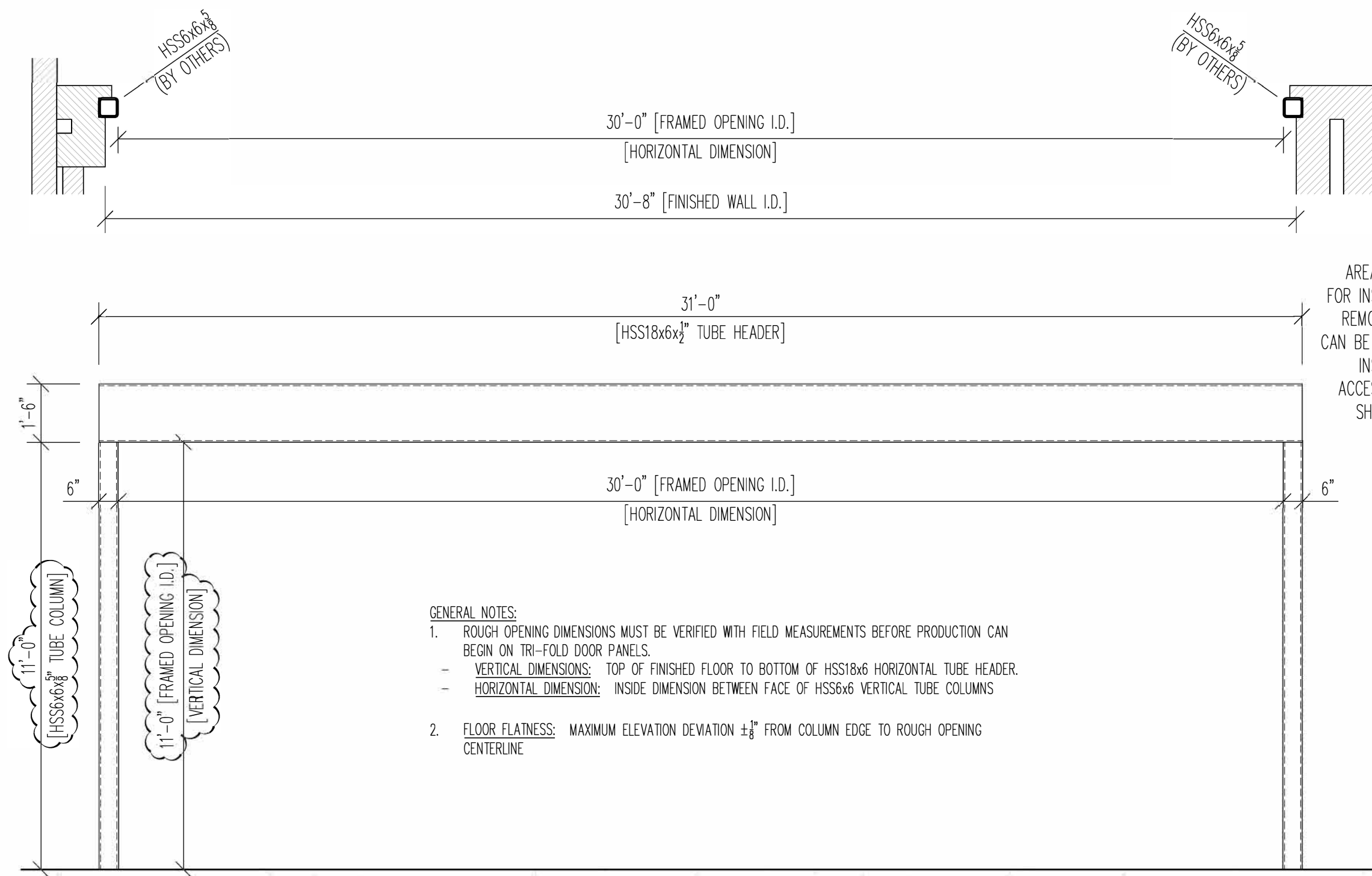
**SECTION A-A**  
DOOR SHOWN IN OPEN POSITION

**PROPRIETARY**  
THIS DESIGN AND DRAWING IS THE EXCLUSIVE PROPERTY OF NOISE BARRIERS, LLC. AND IS SUBMITTED AS CONFIDENTIAL INFORMATION IN CONNECTION WITH YOUR INQUIRY. IT MUST NOT BE USED FOR ANY OTHER PURPOSES, NOR CAN IT BE COPIED OR LOANED WITHOUT WRITTEN PERMISSION. UPON REQUEST IT MUST BE RETURNED IMMEDIATELY.

REVISIONS	DESCRIPTION	DATE	BY
SUBMITT. #		1/2/20	MAH
REVISION 1		4/8/20	MAH

DESCRIPTION	
STC-56 TRI-FOLD ACOUSTIC DOOR - PLANS & ELEVS.	
CUSTOMER	
DRAWN BY	MAH
DATE	1/2/20
PROJ. MGR.	
SHEET	1 OF 6
PROJECT NO.	

**NOISE BARRIERS**  
2001 KELLEY COURT  
LIBERTYVILLE, IL 60048  
Phone: (847) 843-0500  
Fax: (847) 843-0501  
www.noisebarriers.com



AREA MUST REMAIN OPEN FOR INSTALLATION OF DOOR. REMOVABLE WALL SECTION CAN BE CONSTRUCTED AFTER INSTALLATION OF DOOR. ACCESS FOR MAINTENANCE SHOULD BE MAINTAINED.

**GENERAL NOTES:**

- ROUGH OPENING DIMENSIONS MUST BE VERIFIED WITH FIELD MEASUREMENTS BEFORE PRODUCTION CAN BEGIN ON TRI-FOLD DOOR PANELS.
  - VERTICAL DIMENSIONS: TOP OF FINISHED FLOOR TO BOTTOM OF HSS18x6 HORIZONTAL TUBE HEADER.
  - HORIZONTAL DIMENSION: INSIDE DIMENSION BETWEEN FACE OF HSS6x6 VERTICAL TUBE COLUMNS
- FLOOR FLATNESS: MAXIMUM ELEVATION DEVIATION  $\pm \frac{1}{8}$ " FROM COLUMN EDGE TO ROUGH OPENING CENTERLINE

A  
2

**30'-0"W x 12'-0"H FRAMED OPENING DETAILS**

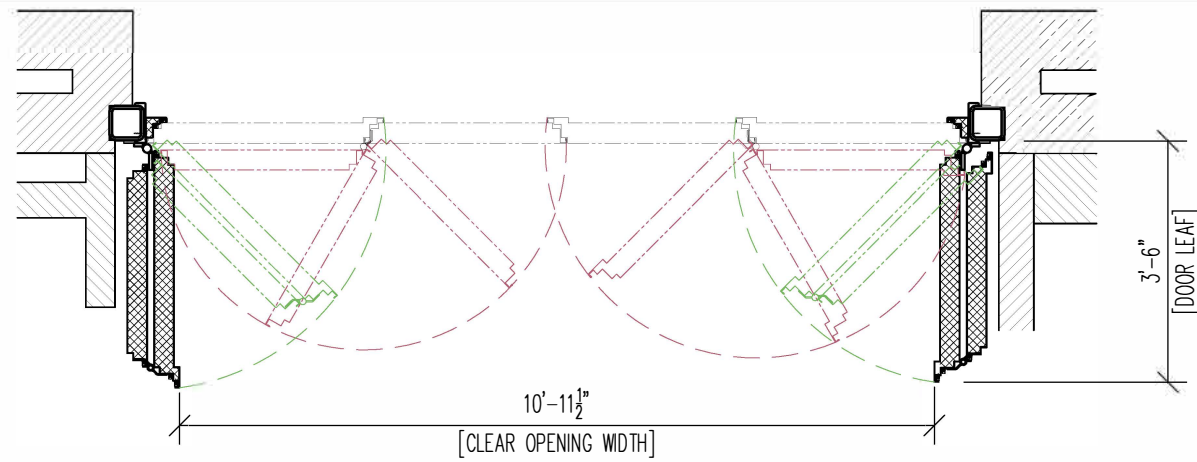
STRUCTURAL STEEL FRAMED ROUGH OPENING

**PROPRIETARY**  
THIS DESIGN AND DRAWING IS THE EXCLUSIVE PROPERTY OF NOISE BARRIERS, LLC. AND IS SUBMITTED AS CONFIDENTIAL INFORMATION IN CONNECTION WITH YOUR INQUIRY. IT MUST NOT BE USED FOR ANY OTHER PURPOSES, NOR CAN IT BE COPIED OR LOANED WITHOUT WRITTEN PERMISSION. UPON REQUEST IT MUST BE RETURNED IMMEDIATELY.

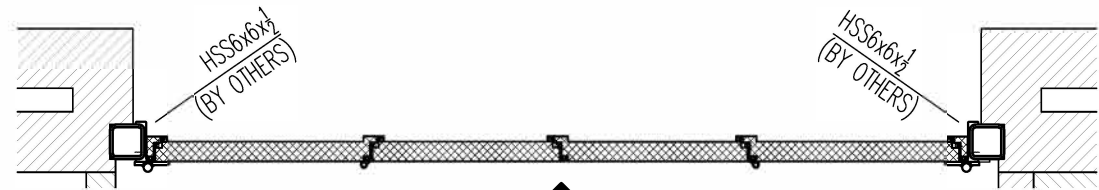
REVISIONS	DESCRIPTION	DATE	BY
SUBMITT. IA		1/2/20	MAH
REVISION 1		4/8/20	MAH

DESCRIPTION STC-56 TRI-FOLD ACOUSTIC DOOR - ROUGH S		CUSTOMER	
DRAWN BY MAH	PROJ. MGR.	PROJECT NO.	
DATE 1/2/20	SHEET 2 OF 6		

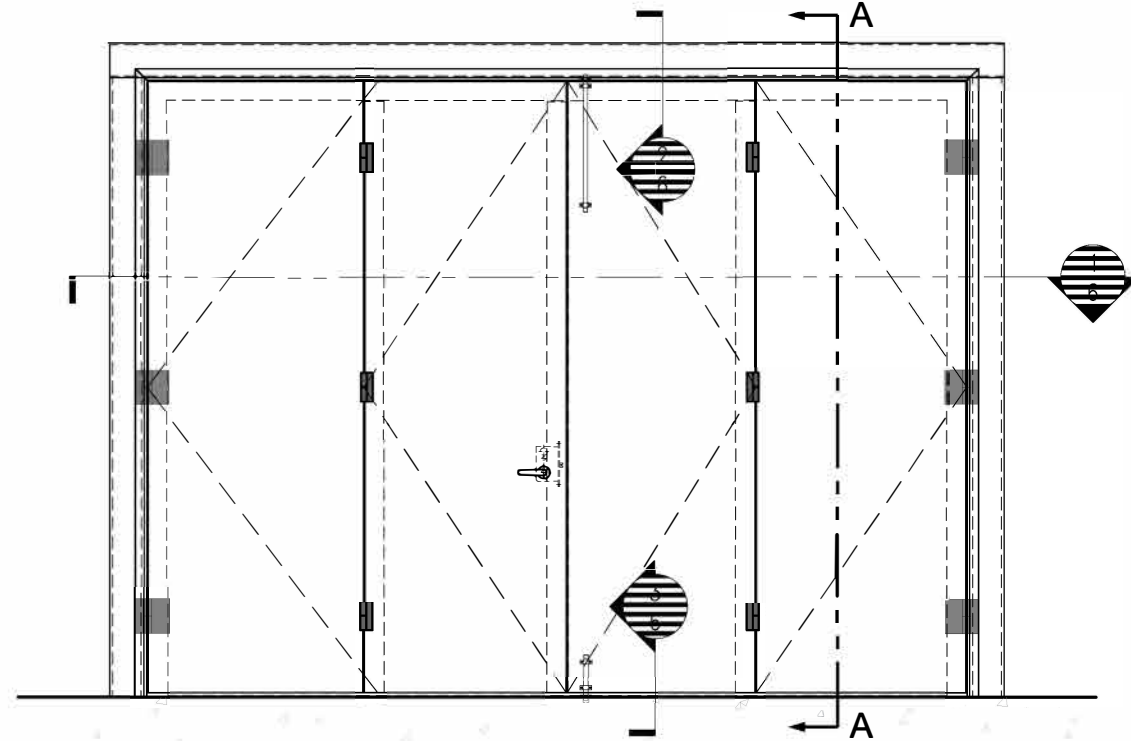
**NOISE BARRIERS**  
2001 KELLEY COURT  
LIBERTYVILLE, IL 60048  
Phone: (847) 843-0500  
Fax: (847) 843-0501  
www.noisebarriers.com



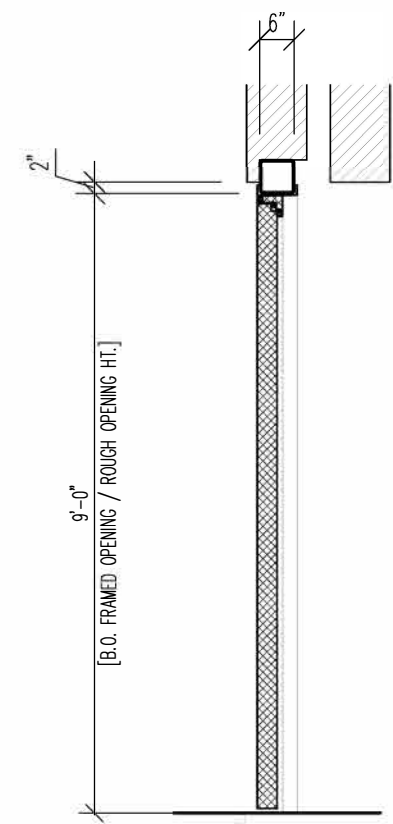
**2**  
**3** 12'-0"W x 9'-0"H BI-FOLD DOOR - PLAN VIEW  
DOOR SHOWN IN OPEN POSITION



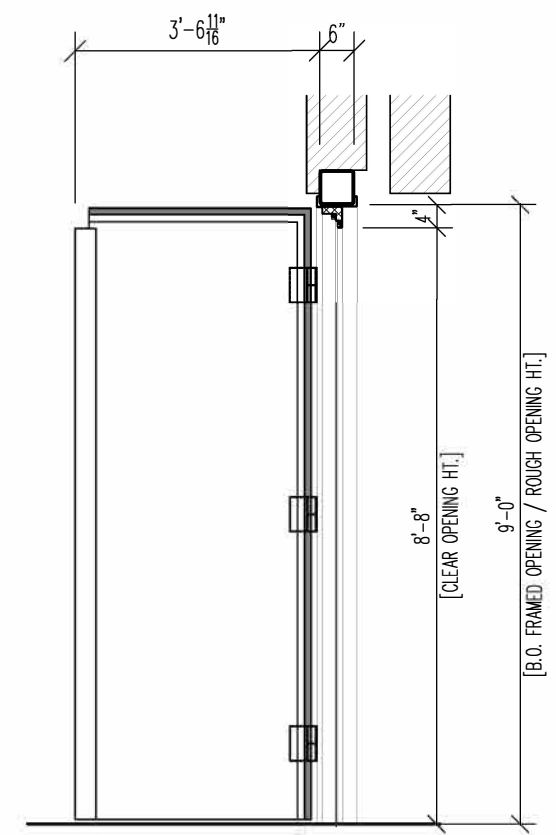
**1**  
**3** 12'-0"W x 9'-0"H BI-FOLD DOOR - PLAN VIEW  
DOOR SHOWN IN CLOSED POSITION



**A**  
**3** 12'-0"W x 9'-0"H BI-FOLD DOOR - ELEVATION VIEW FROM PULL SIDE  
DOOR SHOWN IN CLOSED POSITION



**SECTION A-A**  
DOOR SHOWN IN CLOSED POSITION



**SECTION A-A**  
DOOR SHOWN IN OPEN POSITION

- GENERAL NOTES:**
- SCOPE OF WORK:** QTY. (1) 4-PANEL STC-56 BI-FOLD ACOUSTIC DOOR & SEGMENTED FRAME ASSEMBLY AS MFG. BY NOISE BARRIERS.
  - DOOR WEIGHT:** DOOR LEAVES = 18.8 lbs/sq ft.
  - DOOR HARDWARE:**
    - QTY. (1) SCHLAGE L9070 MORTISED CLASSROOM LEVER/LOCKSET WITH PRIMUS XP KEYWAY & FSIC CYLINDER.
    - QTY. (1) ROCKWOOD 580-24" LONG SURFACE-MOUNTED SLIDE BOLT (SHIPPED LOOSE - FIELD INSTALLED @ PULL SIDE OF DOOR HEAD).
    - QTY. (1) ROCKWOOD 580-8" SURFACE-MOUNTED SLIDE BOLT (SHIPPED LOOSE - FIELD INSTALLED @ PULL SIDE OF DOOR SILL).
    - QTY. (6) HEAVY-DUTY SURFACE-MOUNTED CAM-LIFT DOOR HINGES (FACTORY PREPPED @ ACOUSTIC DOOR LEAVES & DOOR FRAMES).
    - QTY. (6) HEAVY-DUTY MORTISED CAM-LIFT OFFSET HINGES (FACTORY PREPPED @ ACOUSTIC DOOR LEAVES).
    - TRIPLE MAGNETIC SEALS (CONTINUOUS @ DOOR JAMBS & DOOR HEAD).
    - ADJUSTABLE COMPRESSION SEAL (CONTINUOUS @ DOOR SILL).
  - STRUCTURAL STEEL FRAMED OPENING AS SHOWN ON THESE DRAWINGS IS TO BE PROVIDED BY OTHERS.

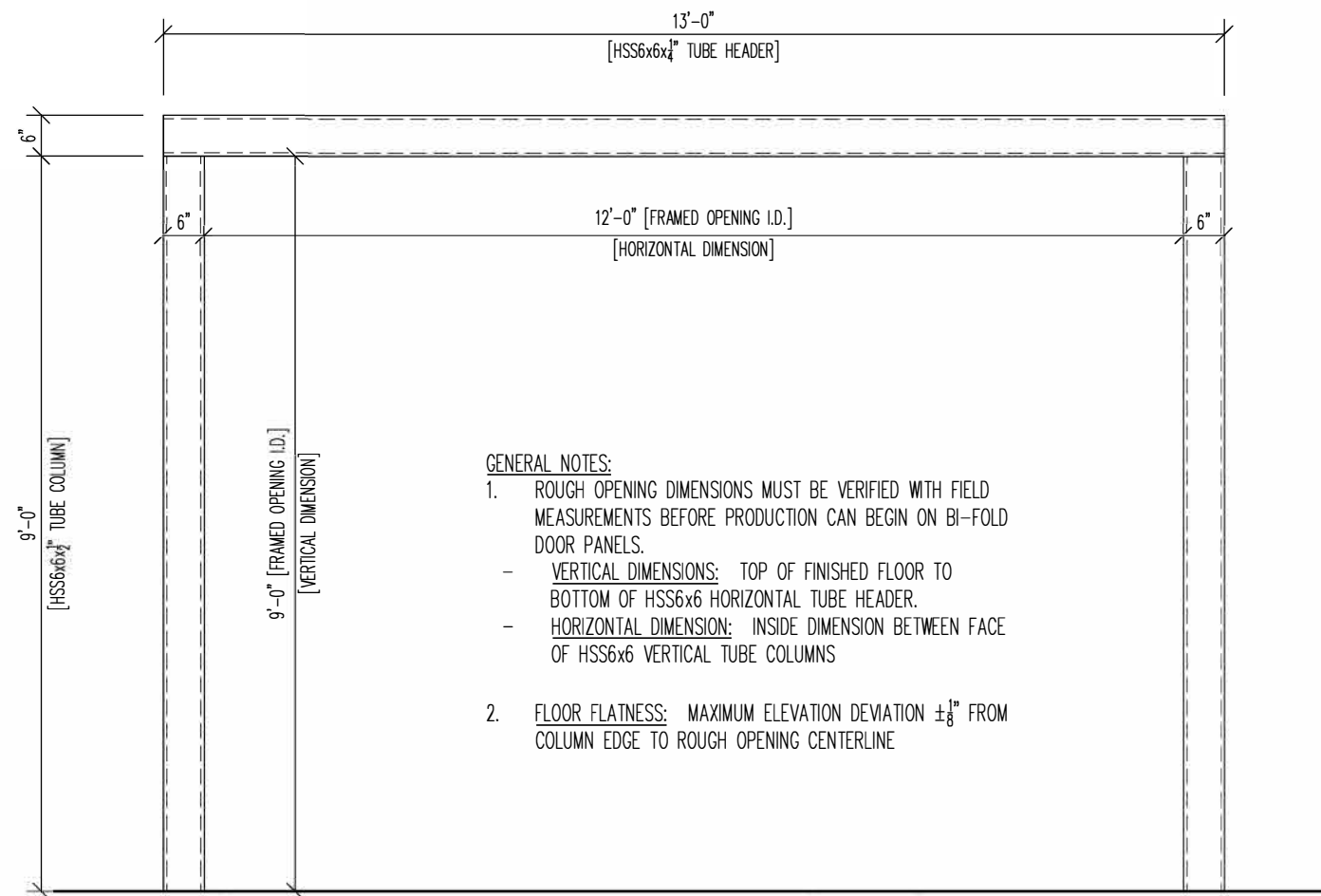
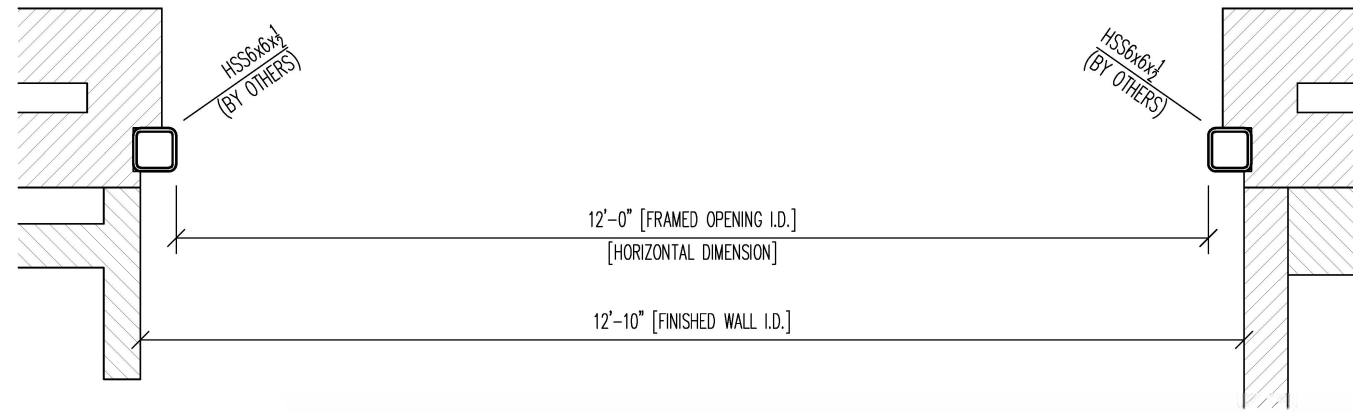
- DOOR FINISHES:**
- DOOR LEAVES / FRAME: POWDER-COAT RAL-9004 (SIGNAL BLACK) SATIN FINISH
  - LEVER / LOCKSET: 622 MATTE BLACK
  - SLIDE BOLTS: BSP (BLACK SUEDE POWDER-COAT)
  - SPRING BOLTS: SHOP PAINTED RAL-9004 (SIGNAL BLACK) SATIN FINISH
  - SURFACE-MOUNT CAM-LIFT HINGES: SHOP PAINTED RAL-9004 (SIGNAL BLACK) SATIN FINISH
  - MORTISED CAM-LIFT HINGES: POWDER-COAT RAL-9004 (SIGNAL BLACK) SATIN FINISH

**PROPRIETARY**  
THIS DESIGN AND DRAWING IS THE EXCLUSIVE PROPERTY OF NOISE BARRIERS, LLC. AND IS SUBMITTED AS CONFIDENTIAL INFORMATION IN CONNECTION WITH YOUR INQUIRY. IT MUST NOT BE USED FOR ANY OTHER PURPOSES, NOR CAN IT BE COPIED OR LOANED WITHOUT WRITTEN PERMISSION. UPON REQUEST IT MUST BE RETURNED IMMEDIATELY.

REVISIONS	DESCRIPTION	DATE	BY
SUBMITTAL		1/2/20	MAH
REVISION 1		4/8/20	MAH

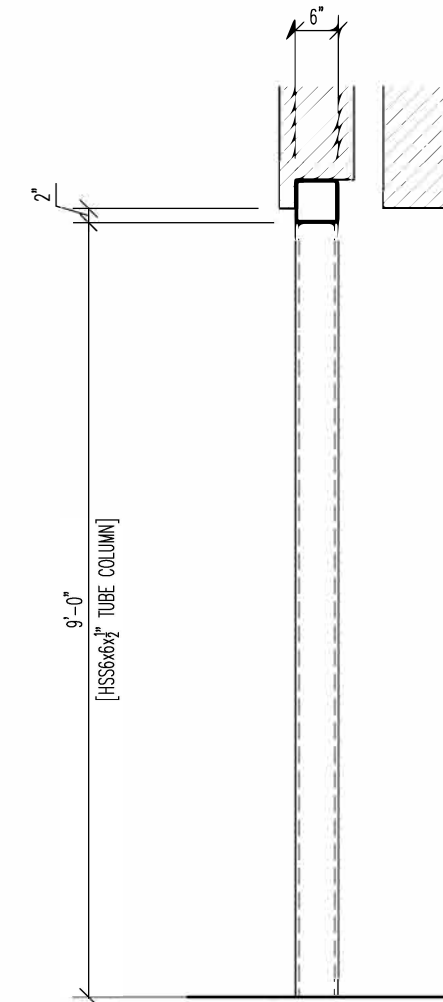
DESCRIPTION		
STC-56 BI-FOLD ACOUSTIC DOOR - PLANS & ELEVS.		
CUSTOMER		
DRAWN BY	PROJ. MGR.	PROJECT NO.
MAH		
DATE	SHEET	
1/2/20	3 OF 6	

**NOISE BARRIERS**  
2001 KELLEY COURT  
LIBERTYVILLE, IL 60048  
Phone: (847) 843-0500  
Fax: (847) 843-0501  
www.noisebarriers.com



**GENERAL NOTES:**

1. ROUGH OPENING DIMENSIONS MUST BE VERIFIED WITH FIELD MEASUREMENTS BEFORE PRODUCTION CAN BEGIN ON BI-FOLD DOOR PANELS.
  - VERTICAL DIMENSIONS: TOP OF FINISHED FLOOR TO BOTTOM OF HSS6x6 HORIZONTAL TUBE HEADER.
  - HORIZONTAL DIMENSION: INSIDE DIMENSION BETWEEN FACE OF HSS6x6 VERTICAL TUBE COLUMNS
2. FLOOR FLATNESS: MAXIMUM ELEVATION DEVIATION  $\pm \frac{1}{8}$ " FROM COLUMN EDGE TO ROUGH OPENING CENTERLINE



A  
4

**12'-0"W x 9'-0"H BI-FOLD DOOR - ELEVATION VIEW FROM PULL SIDE**

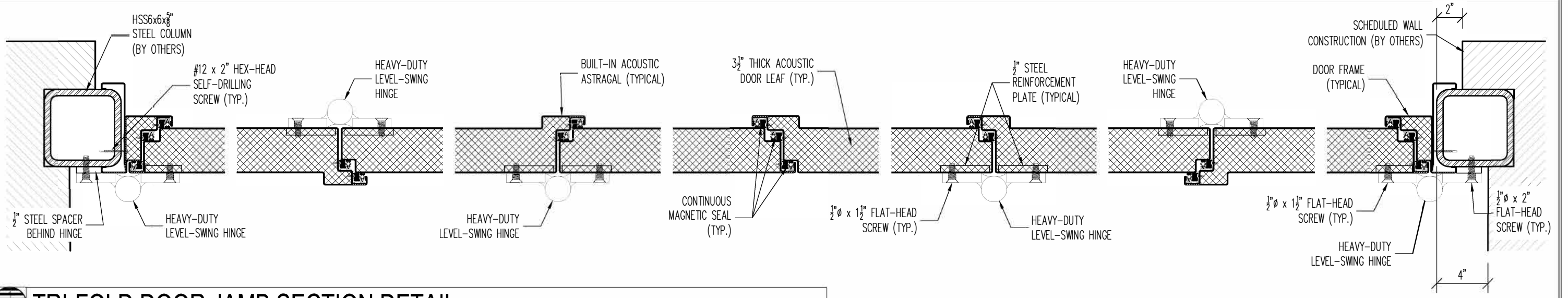
STRUCTURAL STEEL FRAMED ROUGH OPENING

**PROPRIETARY**  
THIS DESIGN AND DRAWING IS THE EXCLUSIVE PROPERTY OF NOISE BARRIERS, LLC. AND IS SUBMITTED AS CONFIDENTIAL INFORMATION IN CONNECTION WITH YOUR INQUIRY. IT MUST NOT BE USED FOR ANY OTHER PURPOSES, NOR CAN IT BE COPIED OR LOANED WITHOUT WRITTEN PERMISSION. UPON REQUEST IT MUST BE RETURNED IMMEDIATELY.

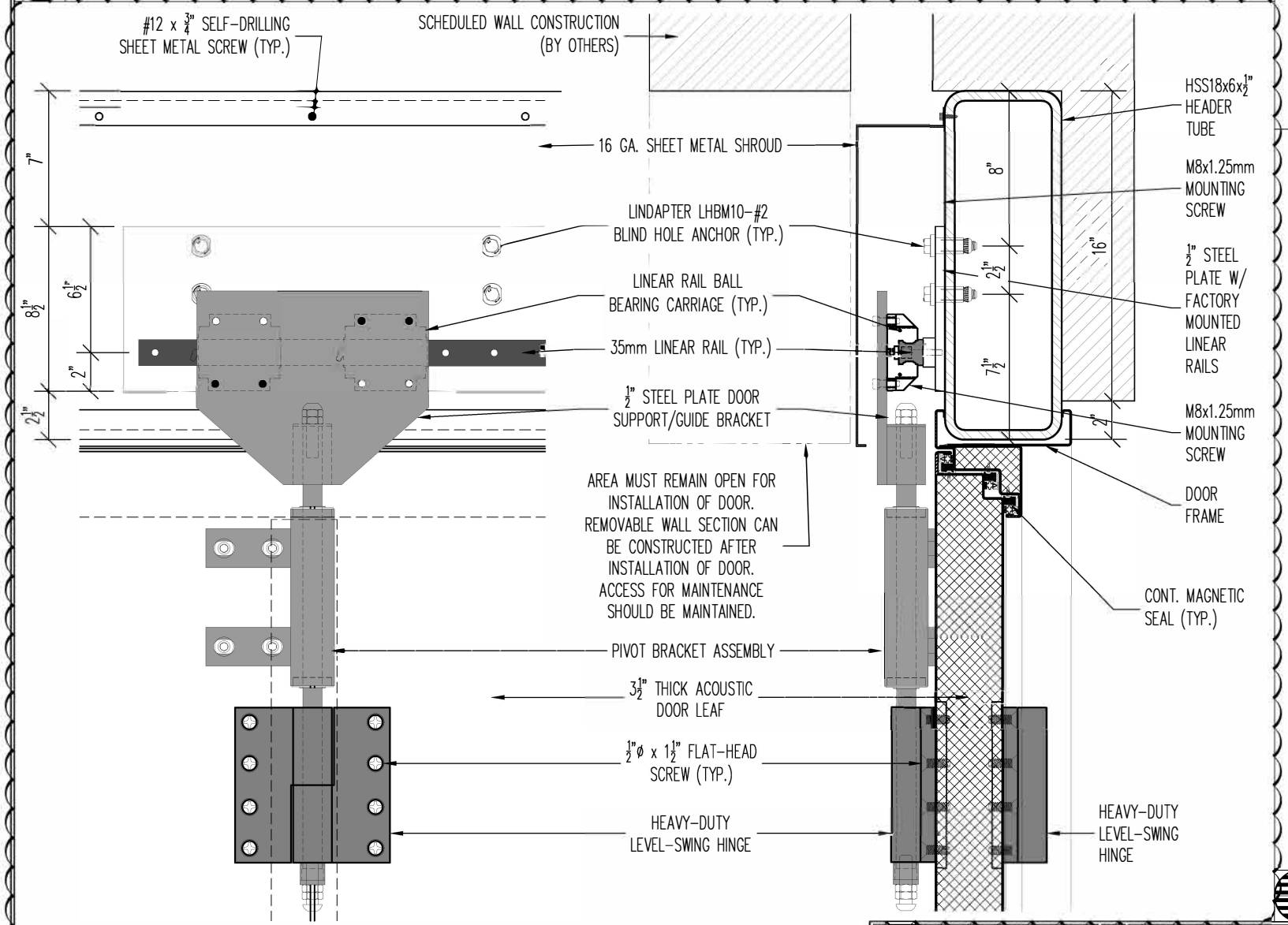
REVISIONS	DESCRIPTION	DATE	BY
SUBMITTAL		1/2/20	MAH
REVISION 1		4/8/20	MAH

DESCRIPTION		
STC-56 BI-FOLD ACOUSTIC DOOR - ROUGH OPENING		
CUSTOMER		
DRAWN BY	PROJ. MGR.	PROJECT NO.
MAH		
DATE	SHEET	OF
1/2/20	4	6

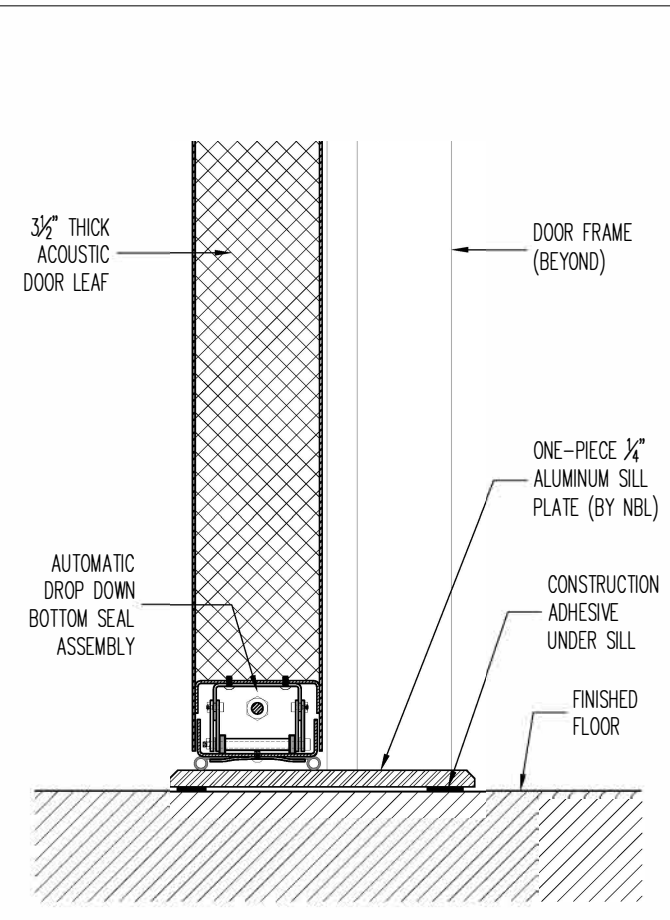
**NOISE BARRIERS**  
2001 KELLEY COURT  
LIBERTYVILLE, IL 60048  
Phone: (847) 843-0500  
Fax: (847) 843-0501  
www.noisebarriers.com



**TRI-FOLD DOOR JAMB SECTION DETAIL**

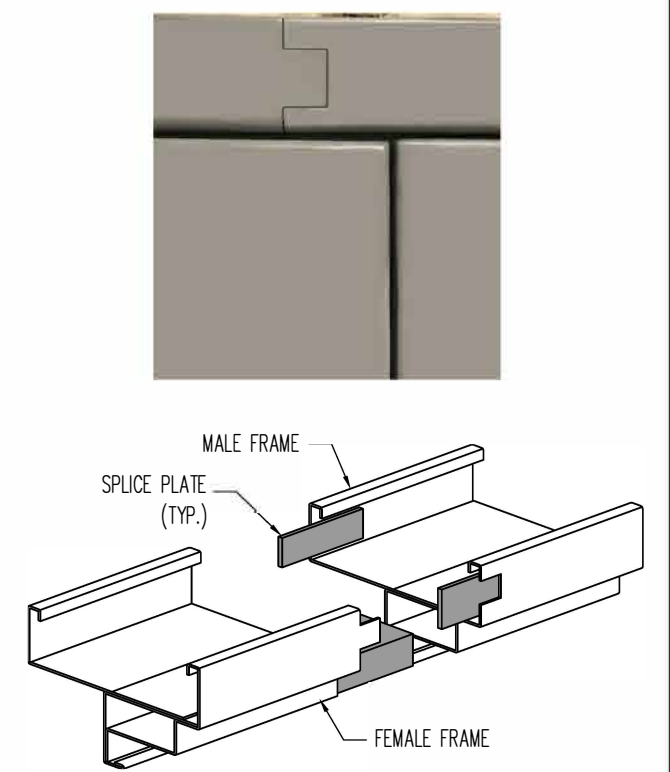


**TRI-FOLD DOOR HEAD / GUIDE BLOCK ASSEMBLY DETAIL**



**TRI-FOLD DOOR SILL DETAIL**

DOUBLE LEAF DOOR FRAMES WITH SPLICED JOINT: STANDARD DESIGN FROM FACTORY DUE TO MANUFACTURING AND FINISHING LIMITATIONS. CAN BE FILLED & PAINTED IN THE FIELD BY OTHERS.



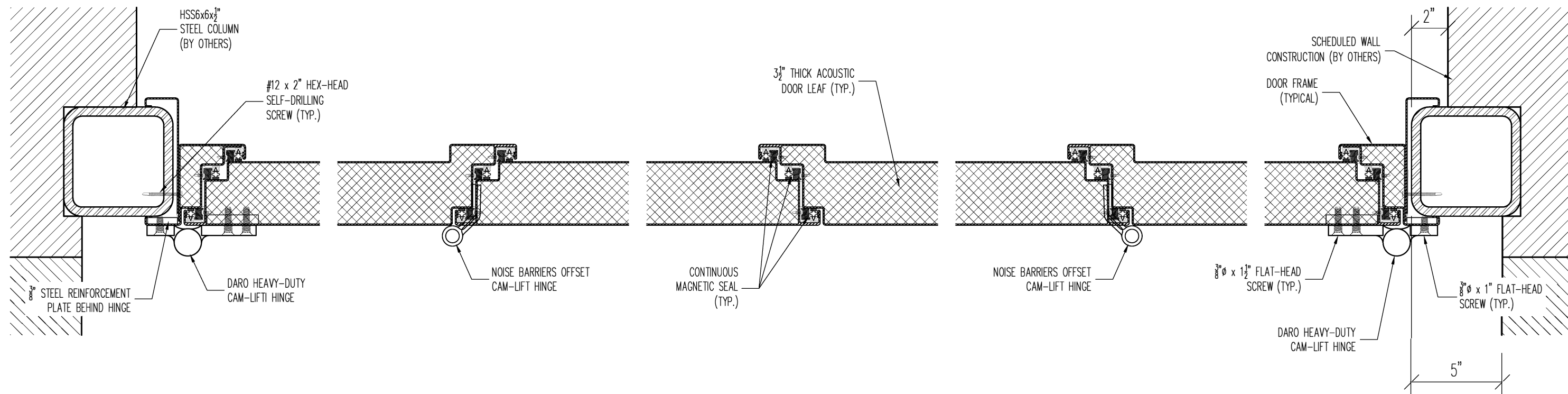
**DOOR FRAME SPLICE JOINT DETAIL**

**PROPRIETARY**  
THIS DESIGN AND DRAWING IS THE EXCLUSIVE PROPERTY OF NOISE BARRIERS, LLC. AND IS SUBMITTED AS CONFIDENTIAL INFORMATION IN CONNECTION WITH YOUR INQUIRY. IT MUST NOT BE USED FOR ANY OTHER PURPOSES, NOR CAN IT BE COPIED OR LOANED WITHOUT WRITTEN PERMISSION. UPON REQUEST IT MUST BE RETURNED IMMEDIATELY.

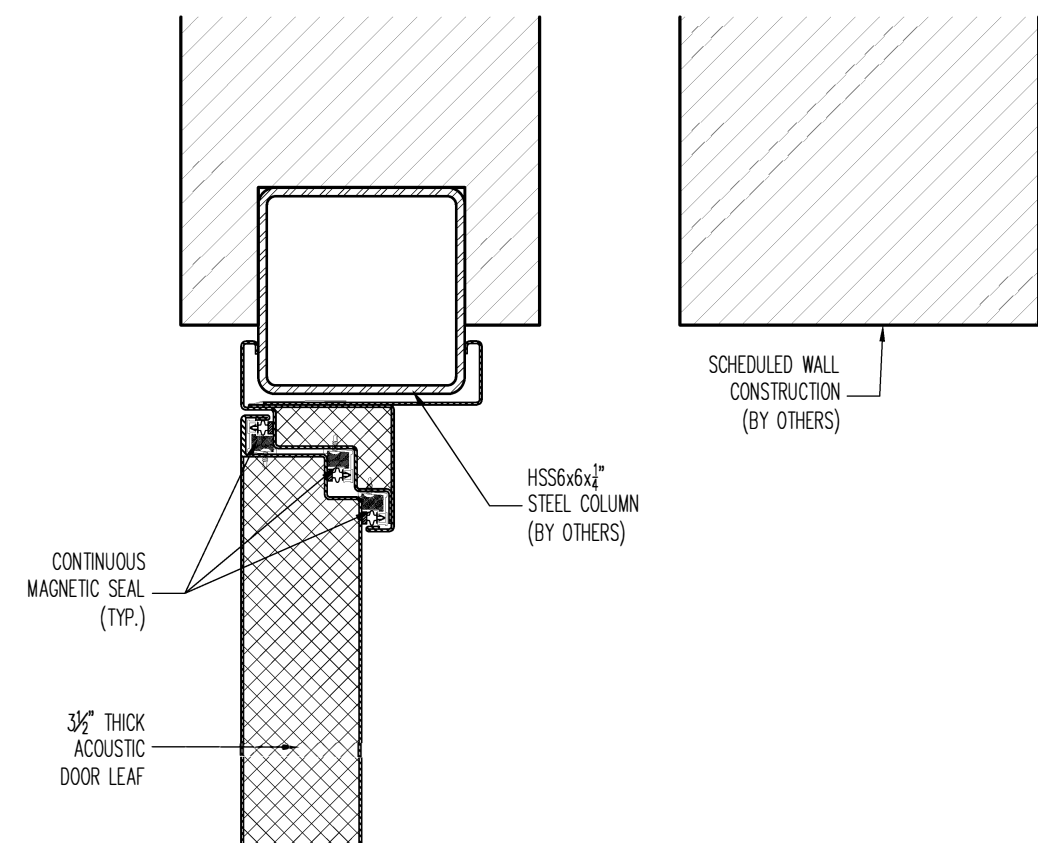
REVISIONS	DESCRIPTION	DATE	BY
SUBMITTAL		1/2/20	MAH
REVISION 1		4/8/20	MAH

DESCRIPTION		
TRI-FOLD ACOUSTIC DOOR DETAILS		
CUSTOMER		
DRAWN BY	PROJ. MGR.	PROJECT NO.
MAH		
DATE	SHEET	OF
1/2/20	5	6

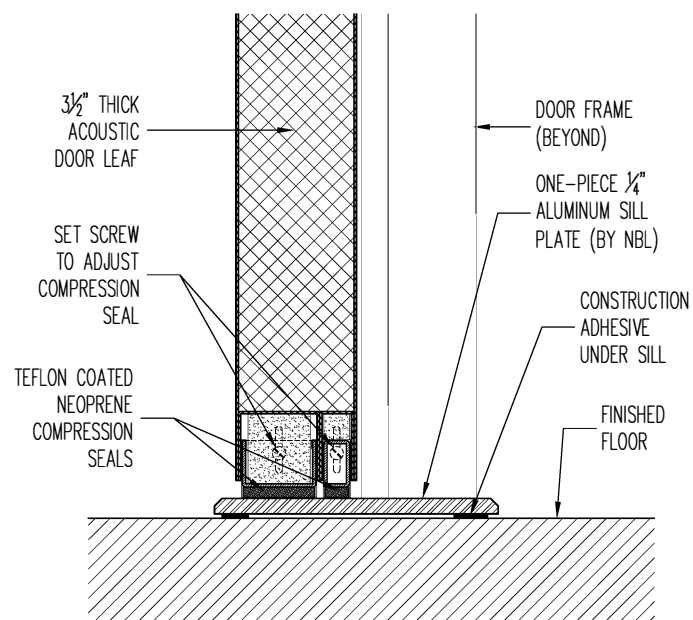
**NOISE BARRIERS**  
 2001 KELLEY COURT  
 LIBERTYVILLE, IL 60048  
 Phone: (847) 843-0500  
 Fax: (847) 843-0501  
 www.noisebarriers.com



**BI-FOLD DOOR JAMB SECTION DETAIL**



**BI-FOLD DOOR HEAD DETAIL**



**BI-FOLD DOOR SILL DETAIL**

**NOT USED**

**PROPRIETARY**  
THIS DESIGN AND DRAWING IS THE EXCLUSIVE PROPERTY OF NOISE BARRIERS, LLC. AND IS SUBMITTED AS CONFIDENTIAL INFORMATION IN CONNECTION WITH YOUR INQUIRY. IT MUST NOT BE USED FOR ANY OTHER PURPOSES, NOR CAN IT BE COPIED OR LOANED WITHOUT WRITTEN PERMISSION. UPON REQUEST IT MUST BE RETURNED IMMEDIATELY.

REVISIONS	DESCRIPTION	DATE	BY
SUBMITTAL		1/2/20	MAH
REVISION 1		4/8/20	MAH

DESCRIPTION		
BI-FOLD ACOUSTIC DOOR DETAILS		
CUSTOMER		
DRAWN BY	PROJ. MGR.	PROJECT NO.
MAH		
DATE	SHEET	OF
1/2/20	6	6

**NOISE BARRIERS**  
2001 KELLEY COURT  
LIBERTYVILLE, IL 60048  
Phone: (847) 843-0500  
Fax: (847) 843-0501  
www.noisebarriers.com