

The DECKING COLLECTION

by accoya 



Quick Reference Guide

ACCOYA DECKING INSTALLATION

Before you begin, here are a few things to review to ensure your deck build goes well and for the deck to be compliant to the Accoya warranty.

For complete installation details refer to the Accoya deck installation instructions

1. PLANNING & PREPARATION:

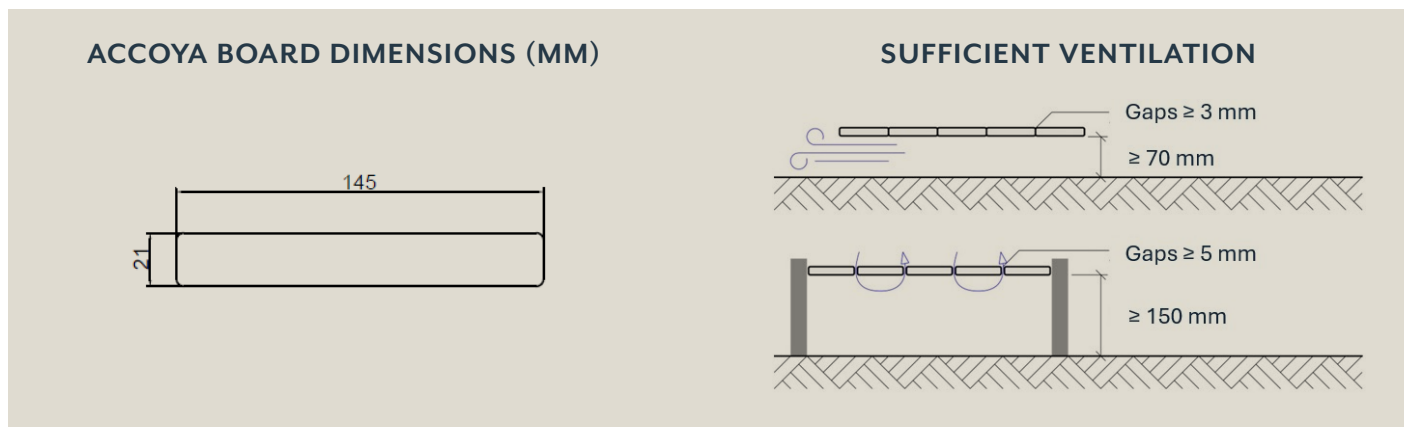
Expansion Gaps: Accoya is dimensionally stable but gaps of at least 3 mm are needed between deck boards for expansion, ventilation and drainage.

Cutting & Fastening: Use conventional woodworking tools and stainless-steel screws (304 grade for general, 316 grade for coastal exposure).

*Avoid using steel and galvanized steel.

Ventilation, Slope & Drainage:

- **Airflow:** Ensure continuous ventilation beneath the decking boards.
- **Slope:** Install the deck with at least a 2% slope for water runoff.
- **Drainage:** Build on solid, load-bearing ground with good drainage.

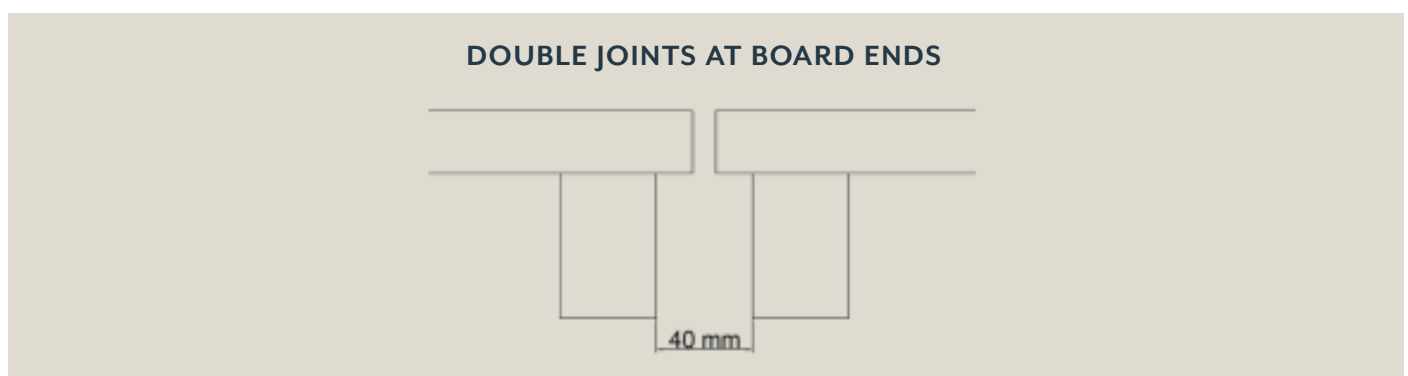


2. SUBSTRUCTURE:

Materials: Use Accoya joists, pressure-treated wood or aluminium. Use joist tape on top of pressure-treated wood.

Support: Each deck board needs support from at least three joists; double joists where two board ends meet.

Fixing: Secure substructure to the ground or build as a rigid floating frame with cross-members.

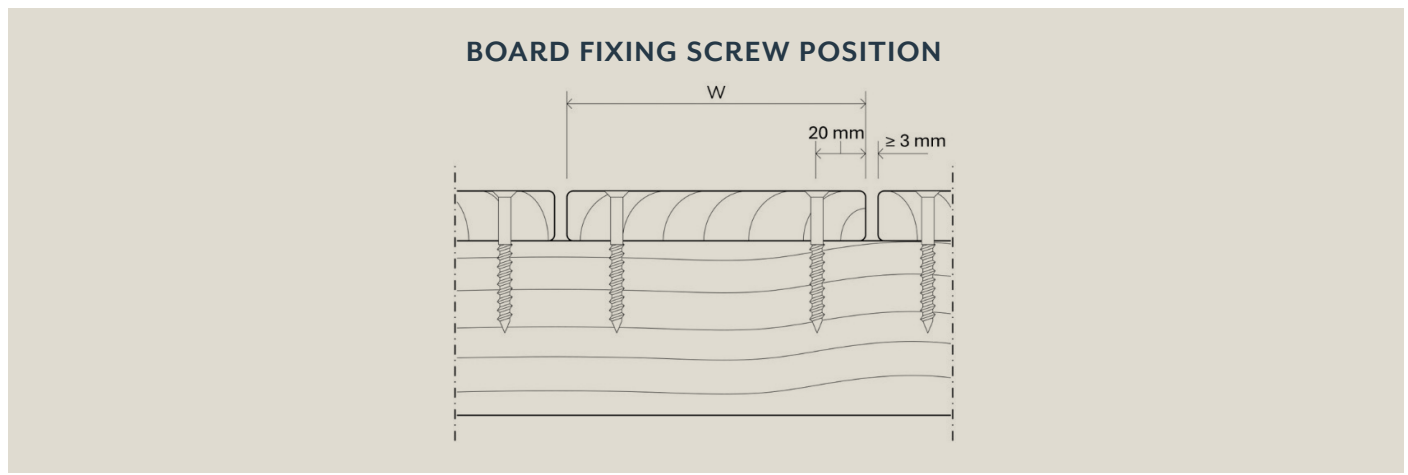


Joist Spacing requirement:

Board profile [mm]	Finish	Joist spacing [mm] - Residential
145 x 21	Dressed Pencil Round	400

3. BOARD INSTALLATION:

Direct Fixing: Use suitable screws, pre-drill holes (1mm smaller than shank diameter), ensure screws finish level with the deck surface and maintain gaps for expansion.



Board profile [mm]	Recommended screw dimensions	
	Residential Head- $\phi \geq 7$ mm	Commercial Head- $\phi \geq 10$ mm
21 x 145	5 x 55 mm	6 x 55 mm