

The DECKING COLLECTION

by accoya 



Installation Instructions

FOR ACCOYA DECKING PRODUCTS

Follow these instructions carefully to ensure best outcome and compliance to the Accoya warranty. The instructions are intended as supplemental to local and national building regulations which always take precedence in the event of deviations or contradictions.

For further information, please contact your Accoya distributor's representative and/or visit www.accoya.com.

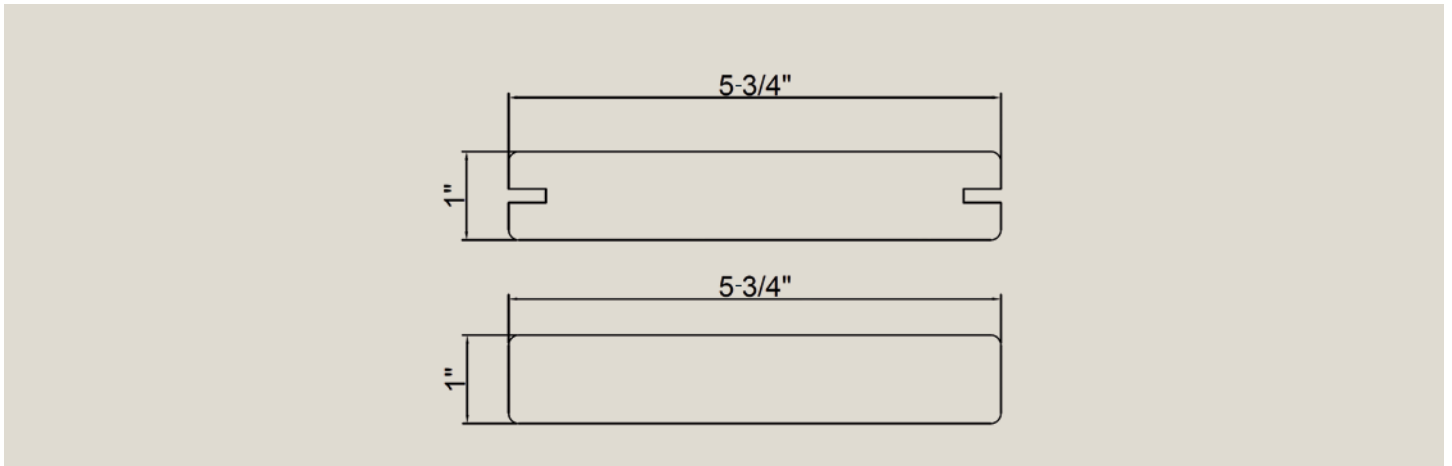
These instructions apply to all Accoya Decking Collection products.

1. PLANNING & PREPARATION

Accoya wood is dimensionally stable wood. However, it is just one component of the overall deck construction and expansion gaps need to be considered for the installation. Accoya wood can be cut with conventional wood working tools. Best results are achieved when using saw blades with 60 or more teeth. No end sealing of boards is required.

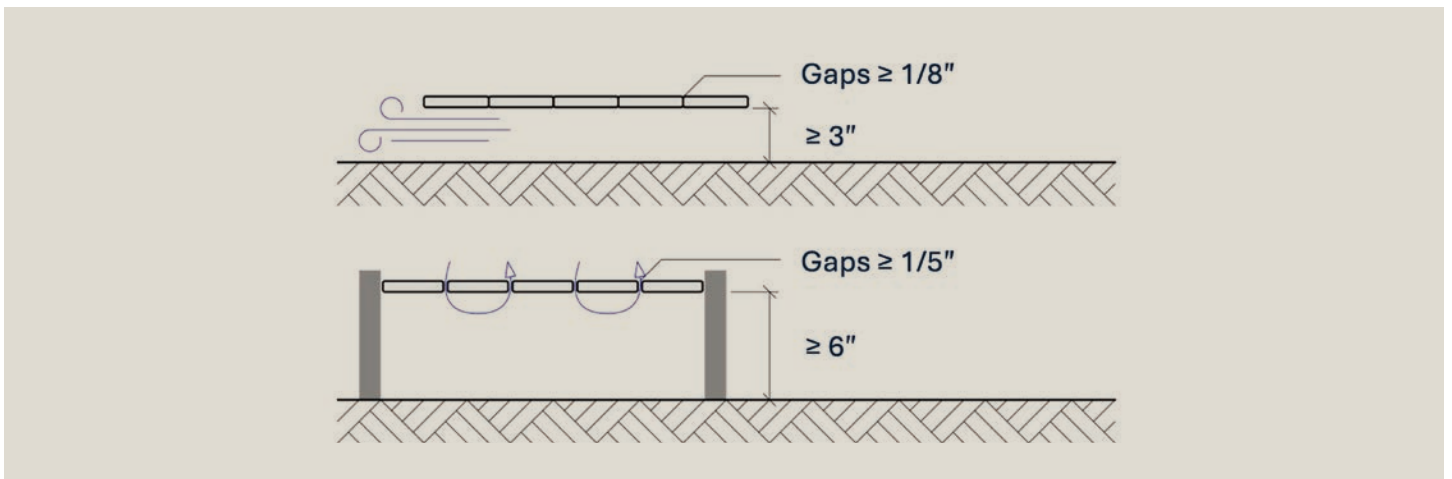
For direct fastening of un-grooved Accoya deck boards only use stainless steel screws with at least 304 quality for general applications and 316 qualities for coastal exposure. Note that Accoya is corrosive to steel and galvanized steel.

Grooved Accoya deck boards can be installed using clips for hidden fastening. For details, please see section 6.3 of this guide and follow the clip manufacturer's written instructions.



2. VENTILATION, SLOPE & DRAINAGE

2.1 Ensure that there is sufficient airflow around the deck. Accoya deck boards perform best when installed properly on a suitable frame and in a ventilation system characterized by continuous ventilation beneath the decking boards. Design for an open airflow height of $\geq 3''$ above the ground. If the deck is fully enclosed, make sure that the boards are installed with at least $1/5''$ gaps to each other and with at least $7''$ to the ground.

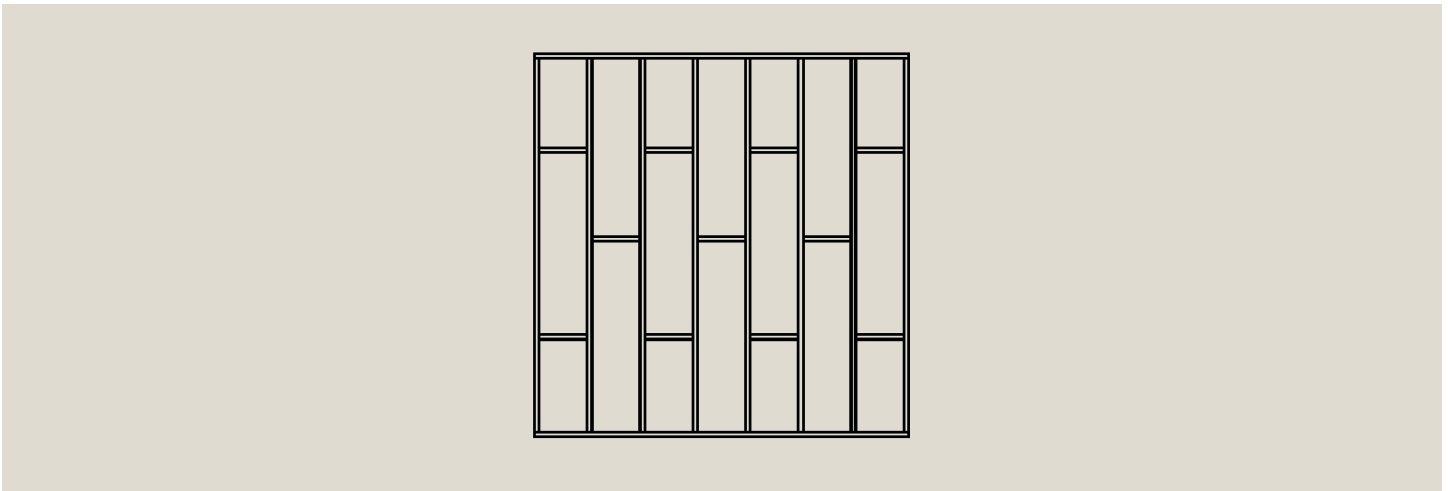


Leave a gap of $2/5''$ to other construction elements, such as house walls.

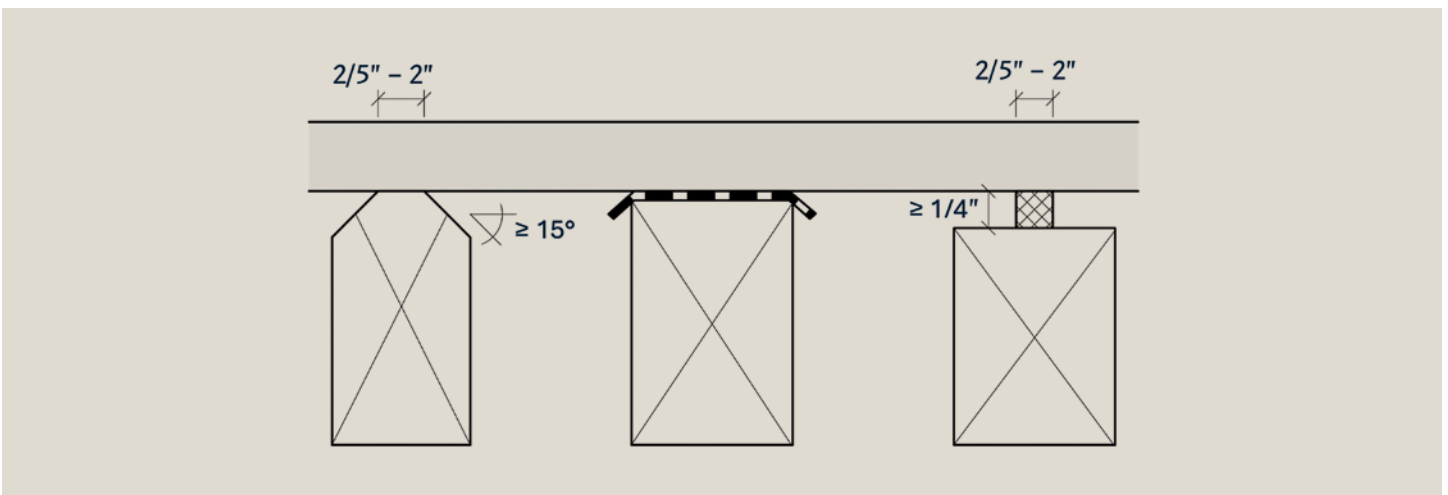
- 2.2 Install the deck with a slope of at least 2% to ensure rainwater run-off and faster deck drying. In some cases, like areas prone to lots of heavy rain, it may be needed to install drainage grills alongside the house wall (see local building regulations).
- 2.3 Ensure that the deck is built on a solid and load bearing ground with good drainage to prevent standing water under the deck for a longer period.

3. SUBSTRUCTURE

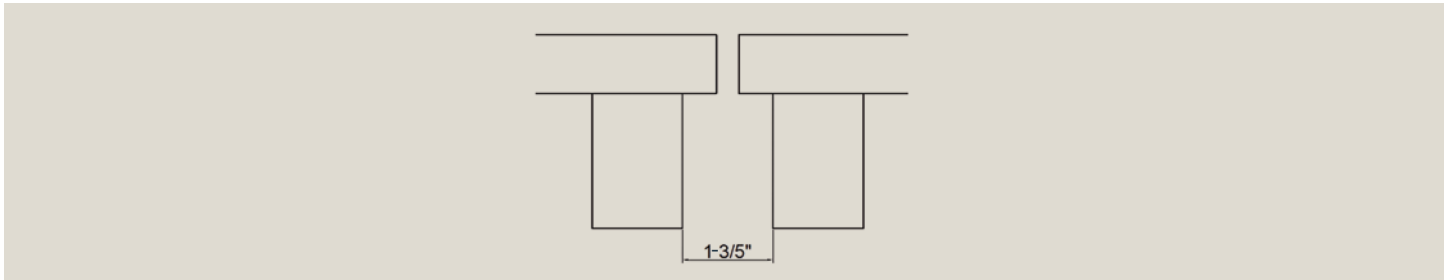
- 3.1 Install Accoya deck boards on a rigid frame supported by cross-members with a distance of max. 6ft.
- 3.2 Substructure material options include for example Accoya joists, pressure treated wood or aluminium. When using pressure treated or naturally durable wood joists it is highly recommended to use a clip providing a space between the deck board and joists or lay a protective tape on the joists to prevent leaching which might lead to staining of the deck boards.



If the joists are very wide ($\geq 2''$) it is best practice to reduce the contact surface with the decking boards to increase the drying speed of the boards, e.g. by chamfering the joists or adding spacers between joists and the deck boards.



3.3 Each deck board needs to be supported by at least three joists. Install double joist where two deck board ends meet (butt joints). Double joists should be installed with a spacing of at least 1-3/5”.



3.4 For ground level decks, the substructure should be fastened to the ground, e.g. by fastening with bolts into concrete. Where this is not possible, e.g. roof terraces or balconies, the substructure must be built as a rigid floating frame.

3.5 Raised decks can be built by e.g. using adjustable pedestals below the substructure. The substructure must always be built as a rigid, inter-connected frame.

3.6 Allowed joist spacing*:

Board profile	Edge type	Joist spacing	
		Deck or Floor Span	Stair Tread Span
1 x 5-3/4"	Grooved Edge	24"	24"
1 x 5-3/4"	Square Edge	24"	24"

*Based on ESR 2825

4. INSPECTION

4.1 Before installing the deck boards it is important to check them for possible defects or damage. Accoya Color Grey deck boards may show color variations within the boards delivered for the project. In that case it is best to mix boards. Allowable white patches can be cut out or left to fade to a grey color matching the deck board surface after some time. This process can be accelerated when the deck is exposed to direct sunlight.

If in doubt, please contact your local Accoya dealer before installing.

5. SCREWS

Use stainless steel 304 quality for general applications and 316 qualities for coastal exposure.

Only use screws that are specially designed for fastening of deck boards.

Using the correct torque and tool speed (max. 500 RPM) will ensure that the screw head finishes level with the deck board surface.

6. BOARD INSTALLATION

6.1 Direct fastening of deck boards

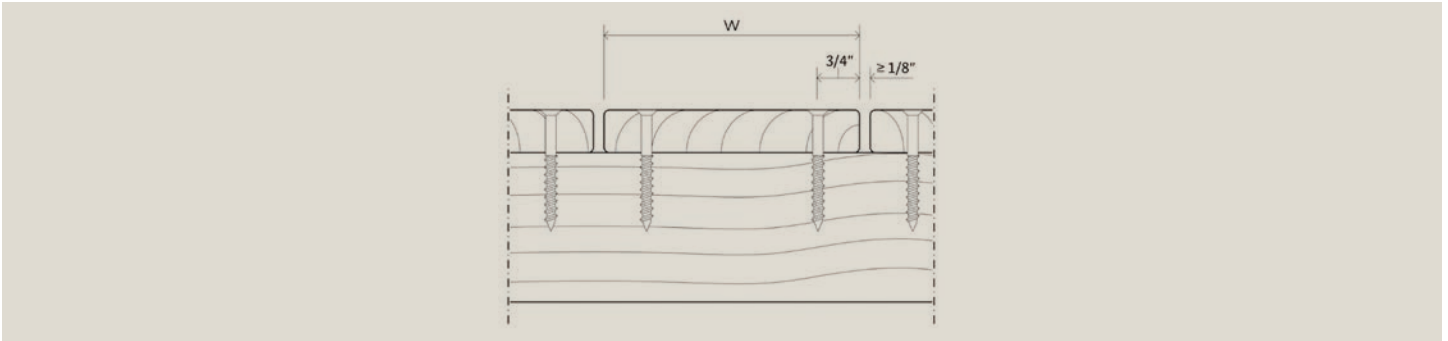
For direct fastening of square edge deck boards always use suitable screws.

Board profile	Recommended screw dimensions	
	Residential Head- $\phi \geq 0.28$ "	Residential Head- $\phi \geq 0.39$ "
1 x 5-3/4"	#10 x 2.5"	#14 x 2.5"

To avoid the risk of boards cracking, it is highly recommended to always pre-drill holes using a diameter $\frac{3}{64}$ " smaller than the shank diameter.

Fix the screws at least 2" from the end of the board and $\frac{3}{4}$ " from the board edge. The boards must be fastened onto each joist using 2 screws for each joist.

Install the boards with a gap of at least $\frac{1}{8}$ " for needed expansion.

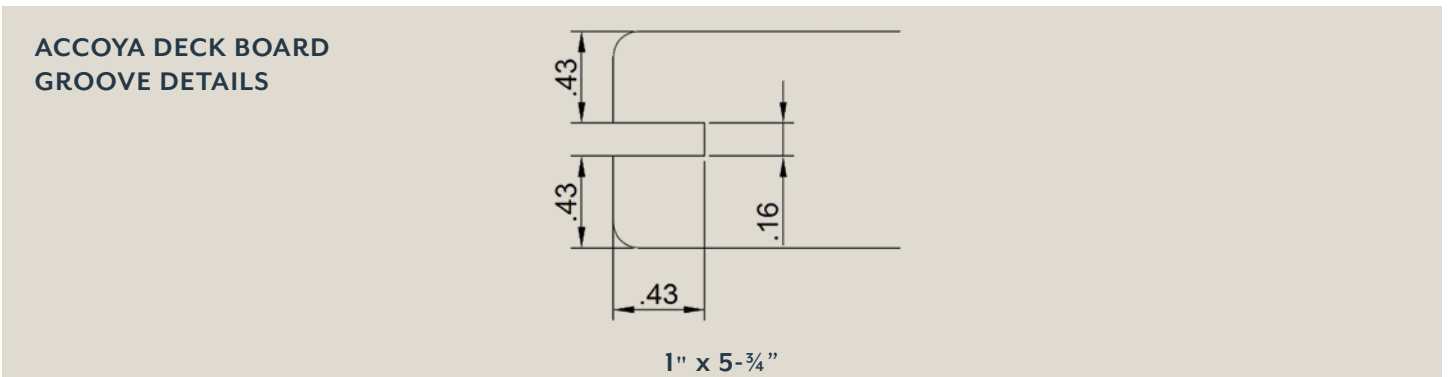


6.2 HIDDEN FASTENING INSTALLATION

For the installation of grooved Accoya deck boards, clips for hidden fastening can be used. There is a good variety of clips that will fit the grooves of Accoya grooved deck boards.

The same rules for substructure building apply if boards are installed using clips. The gaps between the boards are determined by the clips.

For details on clip installation always make sure to follow the clip manufacturer's written installation instructions and ensure the clip will work with the groove dimension of the deck board.



7. CARE AND MAINTENANCE

It is recommended to perform a first cleaning of the deck after installation.

In normal situations a wooden deck should be cleaned once a year, preferably in spring. More frequent cleaning may be necessary in case permanently shaded areas can't be avoided, e.g. on the north side of a house or in the immediate vicinity of bush or tree cover.

Do not use a high-pressure washer to clean Accoya deck boards as it may damage the surface.

For more details please see the Accoya Care & Maintenance instructions on www.accoya.com.

The DECKING
COLLECTION

by accoya 



GET INSPIRED AT
[ACCOYA.COM](https://www.accoya.com)