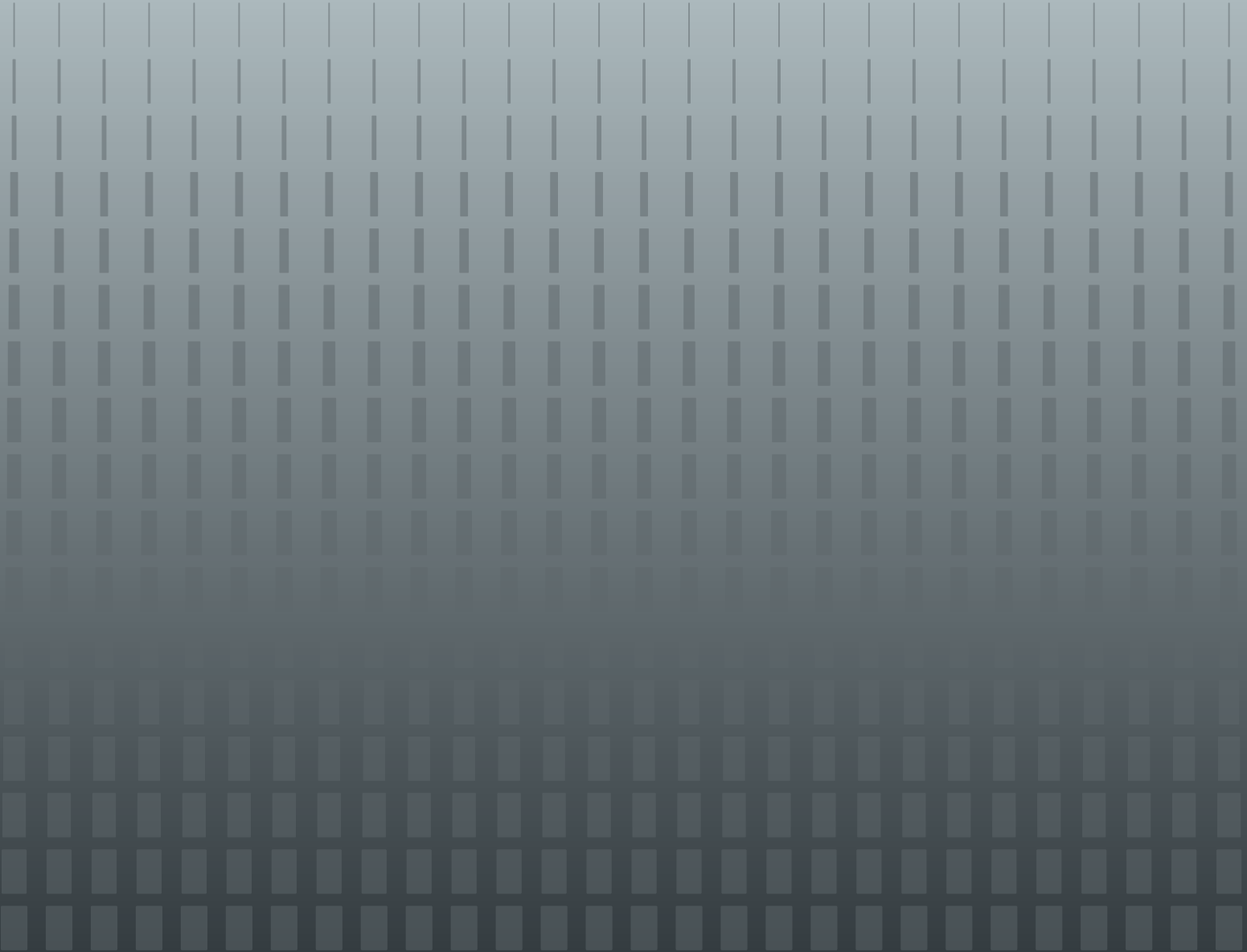


# Scout Specifications

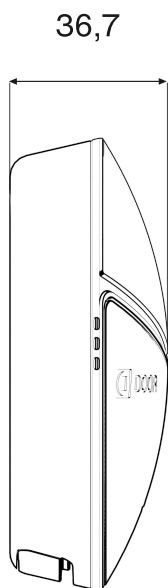
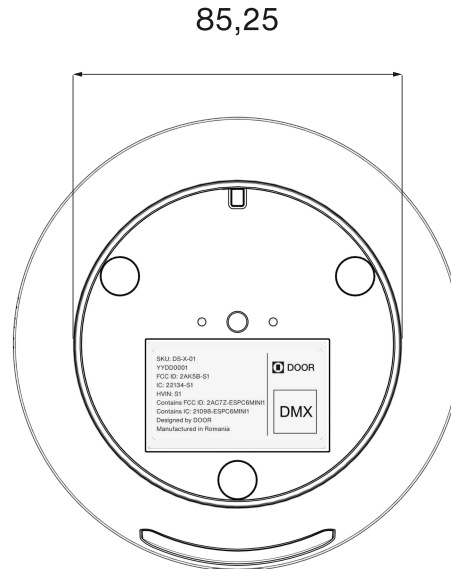
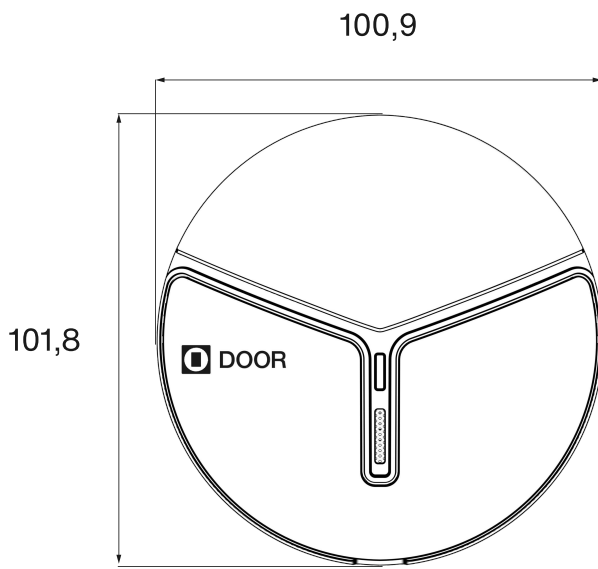




# Scout

# Specifications

# 2026





## Communication

Wireless standards	Bluetooth Low Energy (5.3) BLE, LORA US915
RF exposure requirements	The product should be installed and operated with a minimum distance of 20 cm to any user's/ nearby person's body at all times

## Power

Power Supply	4 x AA non-rechargeable alkaline batteries or 5V USB-C Power Adapter
--------------	--

## Environmental

Operating Temperature	0° C to 60° C (32° F to 140° F)
Operating Humidity	0-95% relative humidity, non condensing
Ingress Protection (IP)	IP54 - intended for indoor

## Certifications and Warranty

Certifications	FCC Part 15, IC RSS
Scout Certification	2AK5B-S1 / 22134-S1
ESP32-C6 (Espressif 32-C6) Certification	2AC7Z-ESPC6MINI1 / 21098-ESPC6MINI1