





RINCON, GA, USA

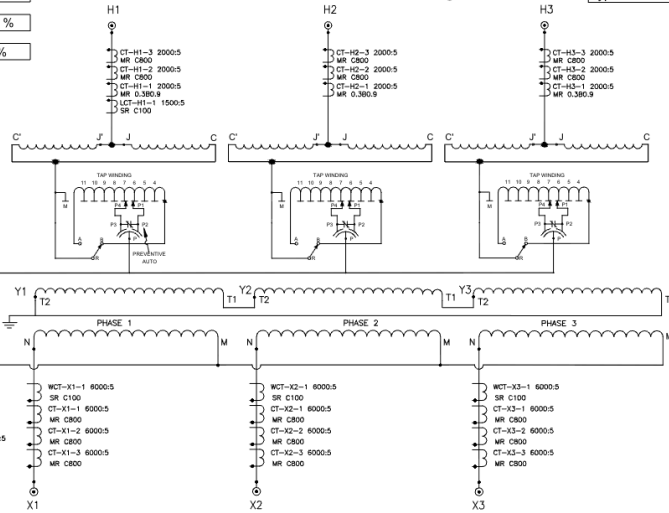
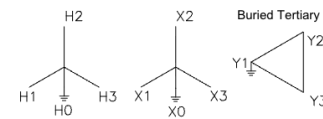
|                           |   |         |         |
|---------------------------|---|---------|---------|
| Standards                 | IEEE C57.12.00 - 2015                                   |         |         |
| Rated voltage (Volts)     | 138 000 Grd Y/ 79 674 - 34 500 Grd Y/ 19 919 - 12 000 D |         |         |
| Rated Power HV            | ONAN  | ONAF    | ONAF    |
|                           | 180 MVA   | 240 MVA | 300 MVA |
| Rated Power LV (UNLOADED) | 180 MVA   | 240 MVA | 300 MVA |
|                           | 63 MVA  | 84 MVA  | 105 MVA |
| Temperature Rise          | 65 °C   |         |         |

|               |          |
|---------------|----------|
| Serial number | GA283A   |
| Frequency     | 60 Hz    |
| Vector Group  | YNyn0+d1 |

|                         |                     |
|-------------------------|---------------------|
| CORE TYPE TRANSFORMER   |                     |
| Winding Material        | Copper              |
| Ambient Temperature     | -25/30/40           |
| Elevation               | <3300 ft            |
| Seismic Rating          | Z4                  |
| Number of Phases        | 3                   |
| Sound level             | Max. 86 dB          |
| Oil preservation system | Conservator         |
| Insulating oil          | Type II Mineral Oil |

|   | Calculated | Measured |
|---|------------|----------|
| Impedance Voltage Base 180 MVA 138 000 - 34 500 V | 10.0 ± 10% | 9.67 %   |
| Impedance Voltage Base 180 MVA 138 000 - 12 000 V | 15.6 ± 10% | 16.26 %  |
| Impedance Voltage Base 180 MVA 34 500 - 12 000 V  | 4.4 ± 10%  | 4.77 %   |
| Year of Manufacturing                             | 2020       |          |

|                           |              |
|---------------------------|--------------|
| Insulation level (BIL)    |              |
| HV Line Winding / Bushing | 650 / 650 kV |
| HV Neutral / Bushing      | 200 / 200 kV |
| LV Line Winding / Bushing | 200 / 200 kV |
| LV Neutral / Bushing      | 200 / 200 kV |



594

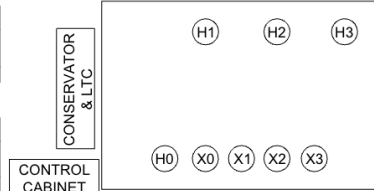
| HIGH VOLTAGE -M. REINHAUSEN - RMV II -1500A - 72.5 kV |             |                     |       |             |              |
|---|-------------|---------------------|-------|-------------|--------------|
| Position  | Change over | Selector Connection |       | Current (A) |              |
|   |             | P1                  | P4    | Voltage (V) | ONAF 300 MVA |
| R   | R - B       | 16                  | 11 11 | 151 800     | 1 141        |
|   |             | 15                  | 10 11 | 150 940     | 1 148        |
|   |             | 14                  | 10 10 | 150 080     | 1 154        |
|   |             | 13                  | 9 10  | 149 210     | 1 161        |
|   |             | 12                  | 9 9   | 148 350     | 1 168        |
|   |             | 11                  | 8 9   | 147 490     | 1 174        |
|   |             | 10                  | 8 8   | 146 630     | 1 181        |
|   |             | 9                   | 7 8   | 145 760     | 1 188        |
|   |             | 8                   | 7 7   | 144 900     | 1 195        |
|   |             | 7                   | 6 7   | 144 040     | 1 202        |
|   |             | 6                   | 6 6   | 143 180     | 1 210        |
|   |             | 5                   | 5 6   | 142 310     | 1 217        |
|   |             | 4                   | 5 5   | 141 450     | 1 224        |
|   |             | 3                   | 4 5   | 140 590     | 1 232        |
|   |             | 2                   | 4 4   | 139 730     | 1 240        |
|   |             | 1                   | M 4   | 138 860     | 1 247        |
| L   | R - A       | N                   | M M   | 138 000     | 1 255        |
|   |             | 1                   | 11 M  | 137 140     | 1 263        |
|   |             | 2                   | 11 11 | 136 280     | 1 271        |
|   |             | 3                   | 10 11 | 135 410     | 1 279        |
|   |             | 4                   | 10 10 | 134 550     | 1 287        |
|   |             | 5                   | 9 10  | 133 690     | 1 296        |
|   |             | 6                   | 9 9   | 132 830     | 1 304        |
|   |             | 7                   | 8 9   | 131 960     | 1 313        |
|   |             | 8                   | 8 8   | 131 100     | 1 321        |
|   |             | 9                   | 7 8   | 130 240     | 1 330        |
|   |             | 10                  | 7 7   | 129 380     | 1 339        |
|   |             | 11                  | 6 7   | 128 510     | 1 348        |
|   |             | 12                  | 6 6   | 127 650     | 1 357        |
|   |             | 13                  | 5 6   | 126 790     | 1 366        |
|   |             | 14                  | 5 5   | 125 930     | 1 375        |
|   |             | 15                  | 4 5   | 125 060     | 1 385        |
| 16  | 4 4         | 124 200             | 1 395 |             |              |

Untanking height: 415" [10541 mm]

TRANSFORMER DESIGNED TO WITHSTAND FULL VACUUM

| LV VOLTAGE  |                       |
|-------------|-----------------------|
| Voltage (V) | Current (A) @ 300 MVA |
| 34 500      | 5 020                 |

| TERTIARY VOLTAGE (BURIED) |                       |
|---------------------------|-----------------------|
| Voltage (V)               | Current (A) @ 105 MVA |
| 12 000                    | 5 052                 |



| WEIGHTS              |         |         |         |
|----------------------|---------|---------|---------|
|                      |         | Lbs     | Kg      |
| UNTANKING            | 55 116  | 25 000  | 11 340  |
| TANK & FITTINGS      | 160 221 | 72 675  | 32 940  |
| CORE & COILS         | 235 674 | 106 900 | 48 480  |
| INSULATION           | 11 023  | 5 000   | 2 270   |
| TOTAL OIL VOL @ 25°C | 13 623  | 51 570  | 23 440  |
| OIL IN MAIN TANK     | 10 831  | 41 000  | 18 680  |
| OIL IN RADIATORS     | 1 921   | 7 270   | 3 290   |
| OIL IN LTC           | 343     | 1 300   | 590     |
| OIL IN CONSERVATOR   | 528     | 2 000   | 900     |
| TOTAL OIL WEIGHT     | 101 186 | 45 897  | 20 810  |
| TOTAL WEIGHT         | 508 104 | 230 472 | 104 530 |
| SHIPPING W/O OIL     | 324 910 | 147 377 | 67 080  |

OIL PRESERVATION SYSTEM

BEFORE INSTALLING OR OPERATING, READ INSTRUCTIONS (GA283A)

TRANSFORMER CONTAINS NO DETECTABLE LEVEL OF PCB (LESS THAN 2 PPM) AT TIME OF MANUFACTURE

TANK AND RADIATORS DESIGNED FOR 103 kPa [ 15 PSI ] VACUUM FILLING

MAXIMUM OPERATING PRESSURE OF OIL PRESERVATION SYSTEM, 45 kPa (6.5 PSI) POSITIVE