



## System Data Sheet & Specifications

### **LITEFLOOR**

NON-FIRE-RATED SKYLIGHTS & GLASS FLOORS  
LAMINATED GLASS WITH OPTIONAL SLIP RESISTANCE

[www.greenliteglass.com](http://www.greenliteglass.com) | [info@greenliteglass.com](mailto:info@greenliteglass.com) | +1 (877) 708-2151

ARCHITECTS APPROVAL

CONTRACTORS APPROVAL

## MAXIMUM DIMENSIONS

RATING	APPLICATION	MAX. AREA OF GLASS SQ INCH	MAX. WIDTH INCH
60 MIN	HORIZONTAL	3481	88 1/2"

REVISIONS	DESCRIPTION	DATE	BY
△	--	--	

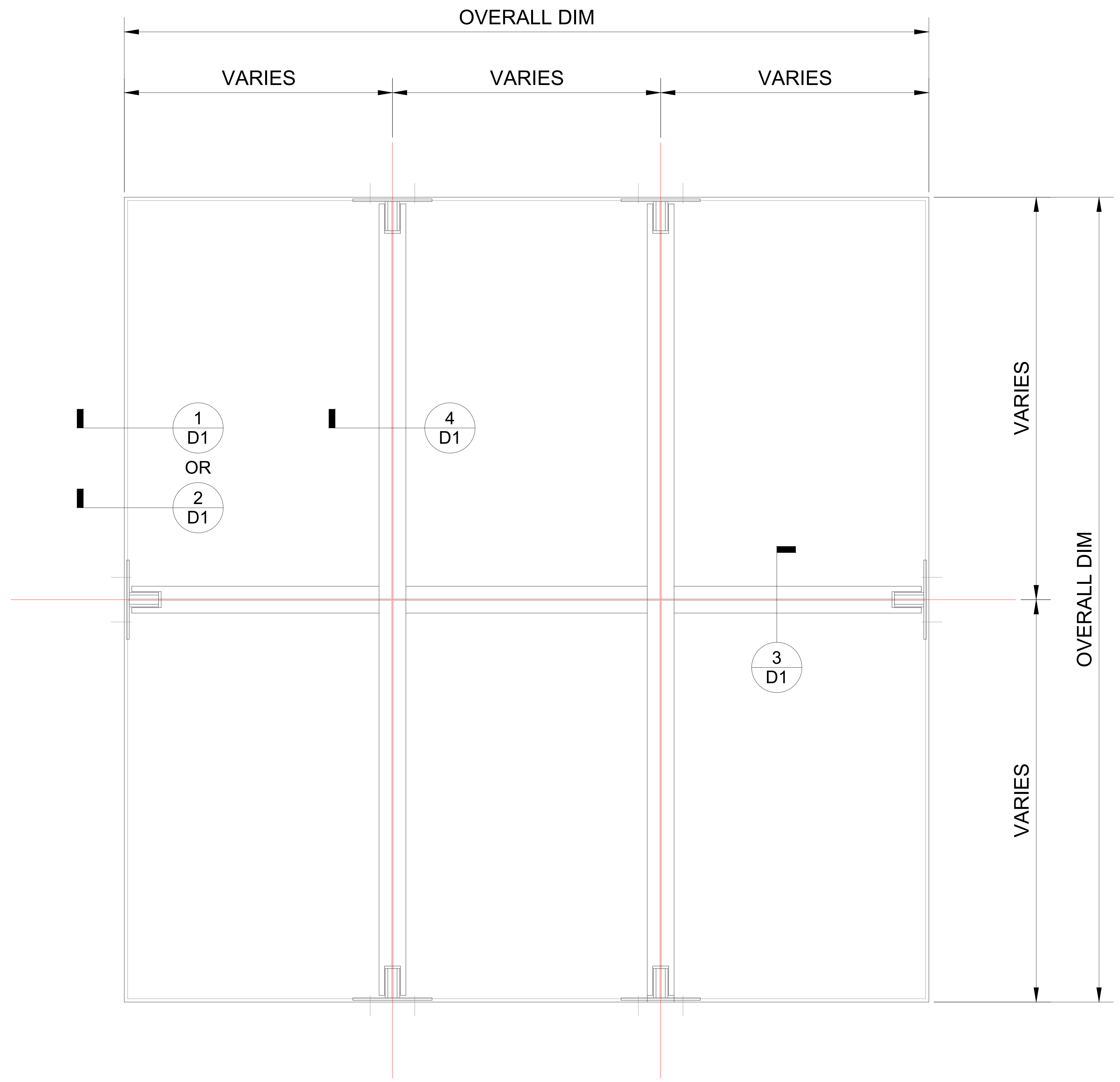
PROJECT NAME

CUSTOMER NAME

DRAWN BY	PAGE No.
CHK'D BY:	P1
SCALE	PROJECT #
DATE	INSTALLER

 Greenlite Glass Systems  
 2414 St Johns Street  
 Port Moody, BC, V3H 2B1

 Phone: 778.285.8530  
 Fax: 778.285.8520

 USA Patent No: 7 694 475 | Canada Patent No: 2 440 439  
 COPYRIGHT 2008 GREENLITE GLASS SYSTEMS Inc.

 1 PLAN VIEW (EXTERIOR)  
 SCALE: 1 1/2" = 1"  
 GREENLITE GLASS (INTERIOR)

ARCHITECTS APPROVAL

CONTRACTORS APPROVAL

MAXIMUM DIMENSIONS

APPLICATION	MAX. LENGTH INCH	MAX. WIDTH INCH
HORIZONTAL	202"	84"

REVISIONS	DESCRIPTION	DATE	BY
△	--	--	

PROJECT NAME

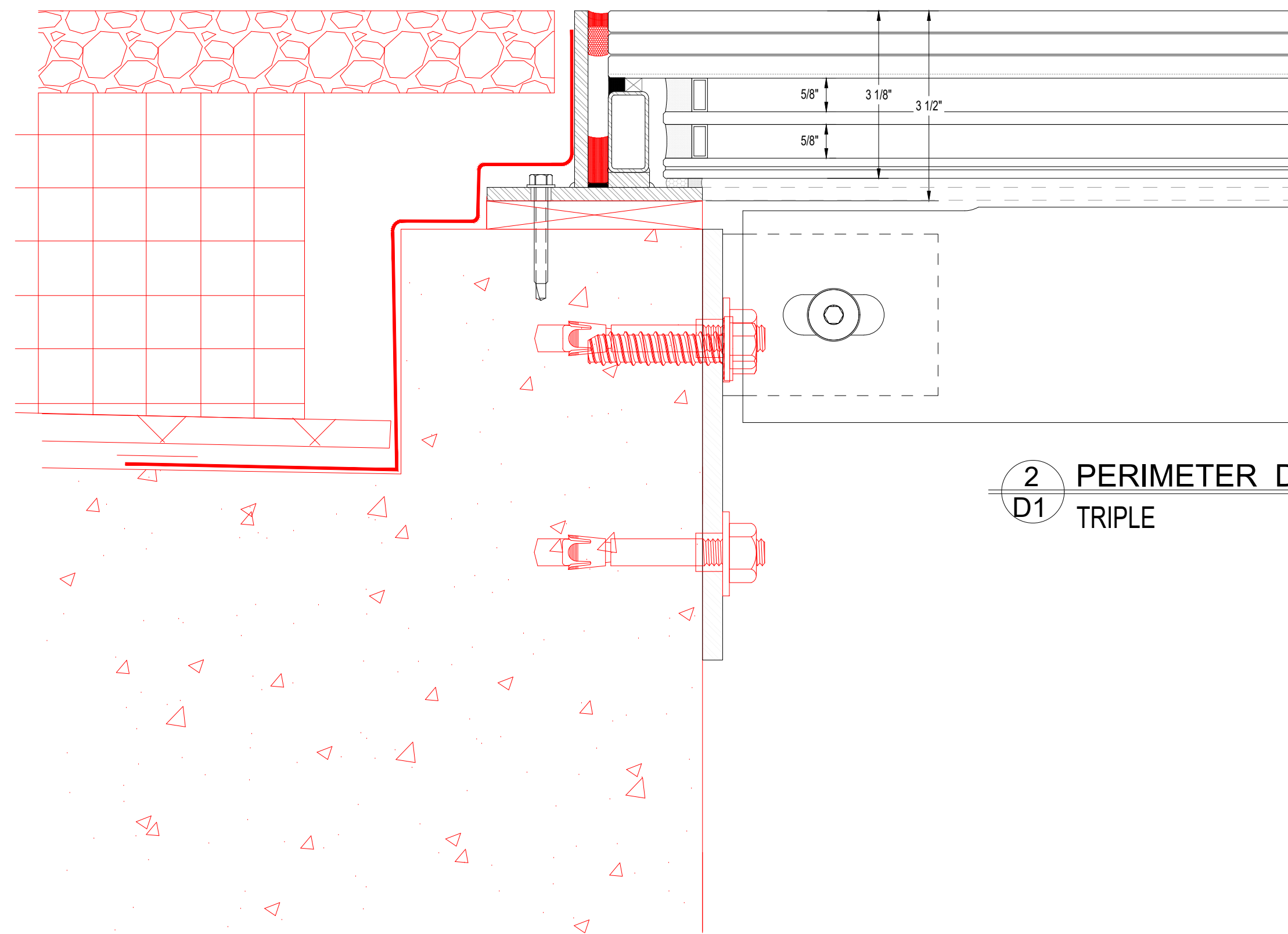
CUSTOMER NAME

DRAWN BY	PAGE No.
CHK'D BY:	D1
SCALE	PROJECT #
DATE	INSTALLER

Greenlite Glass Systems  
2414 St Johns Street  
Port Moody, BC, V3H 2B1

Phone: 778.285.8530  
Fax: 778.285.8520

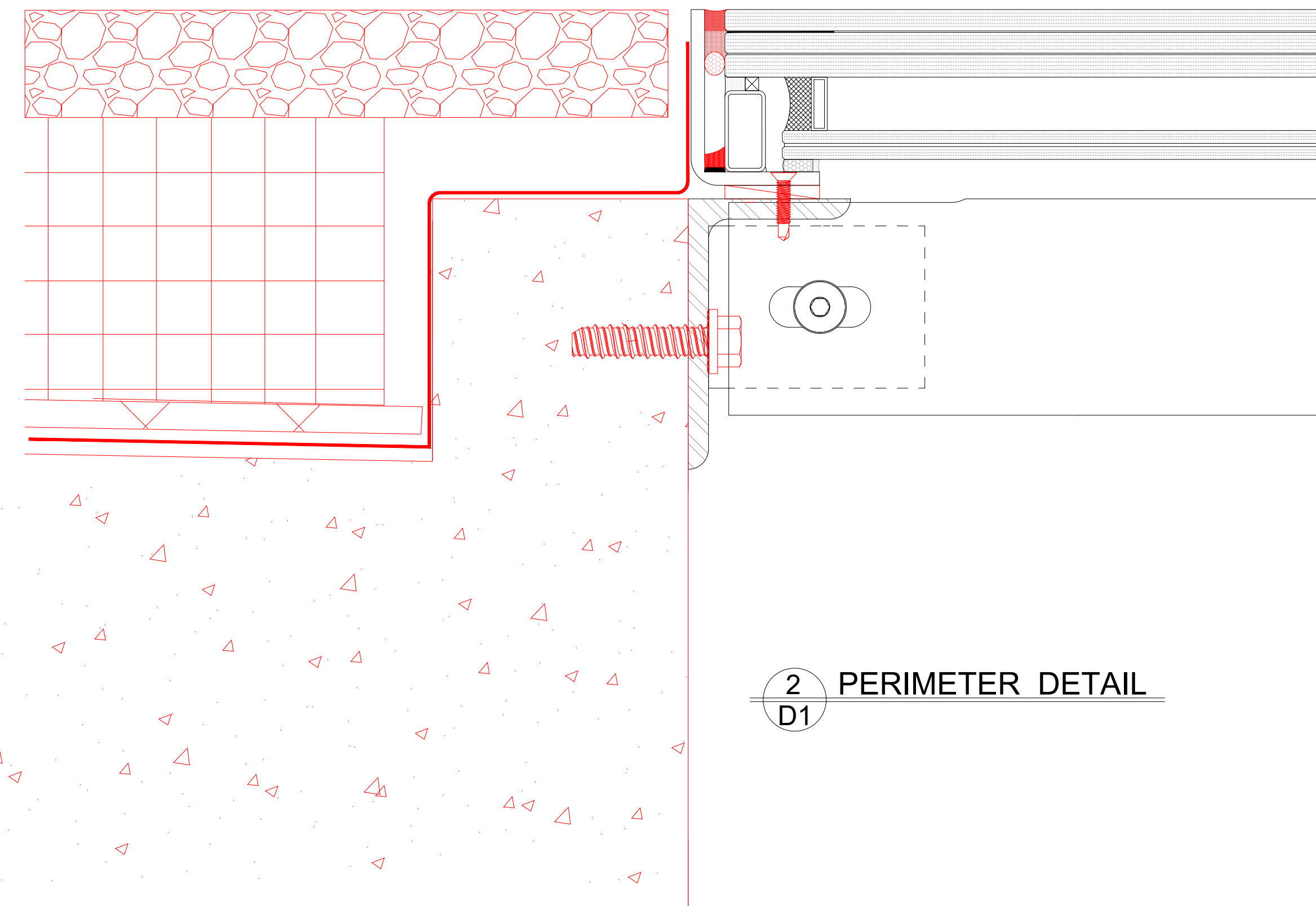
USA Patent No: 7 694 475 | Canada Patent No: 2 440 439  
COPYRIGHT 2008 GREENLITE GLASS SYSTEMS Inc.



2 PERIMETER DETAIL  
D1 TRIPLE

TRIPLE-EXTERIOR DETAIL

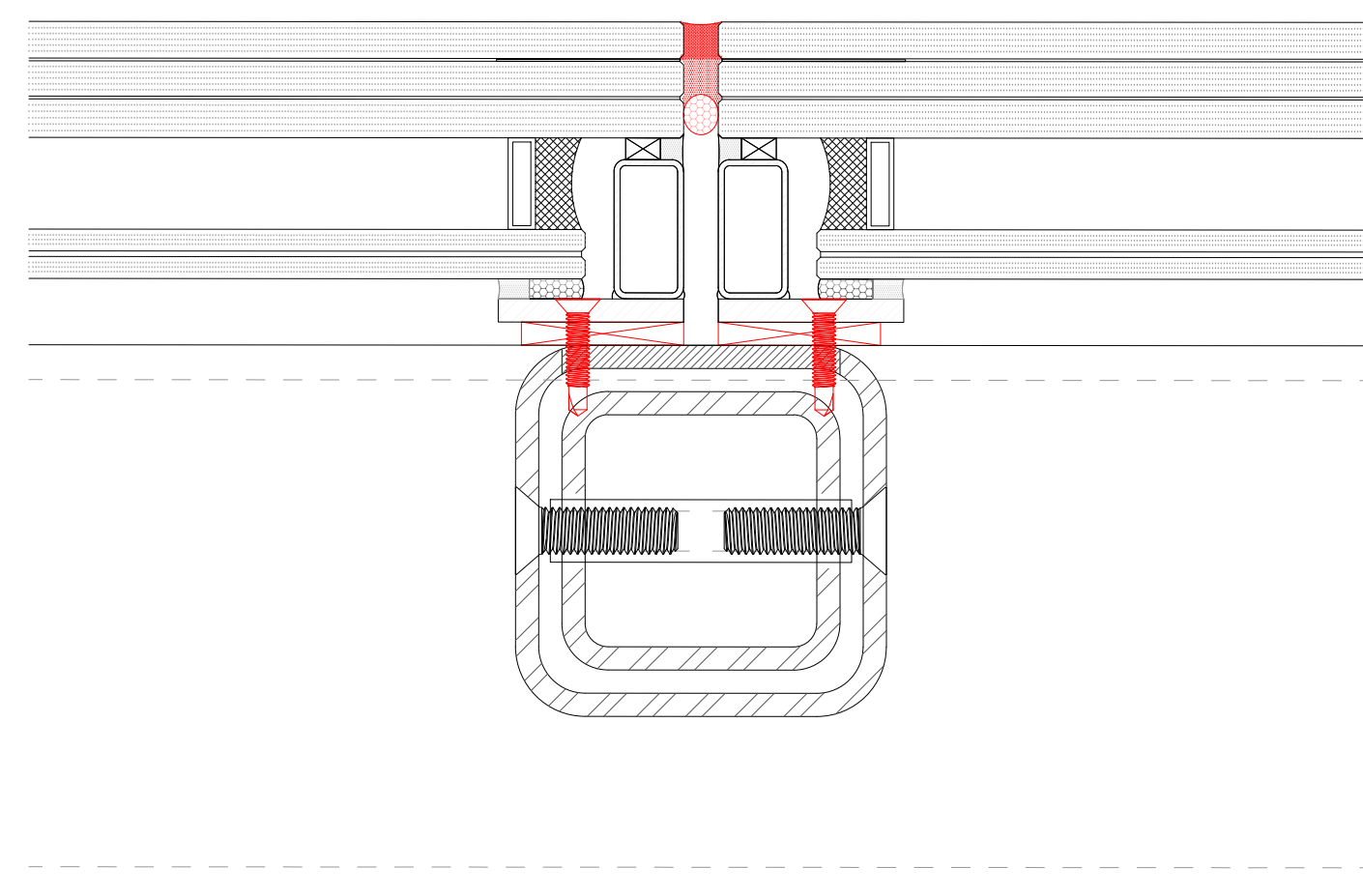
1 EDGE DETAIL @ CONCRETE  
D1 SCALE: 6" = 10"  
GREENLITE GLASS (INTERIOR DETAILS)



2 PERIMETER DETAIL  
D1

EXTERIOR DETAIL

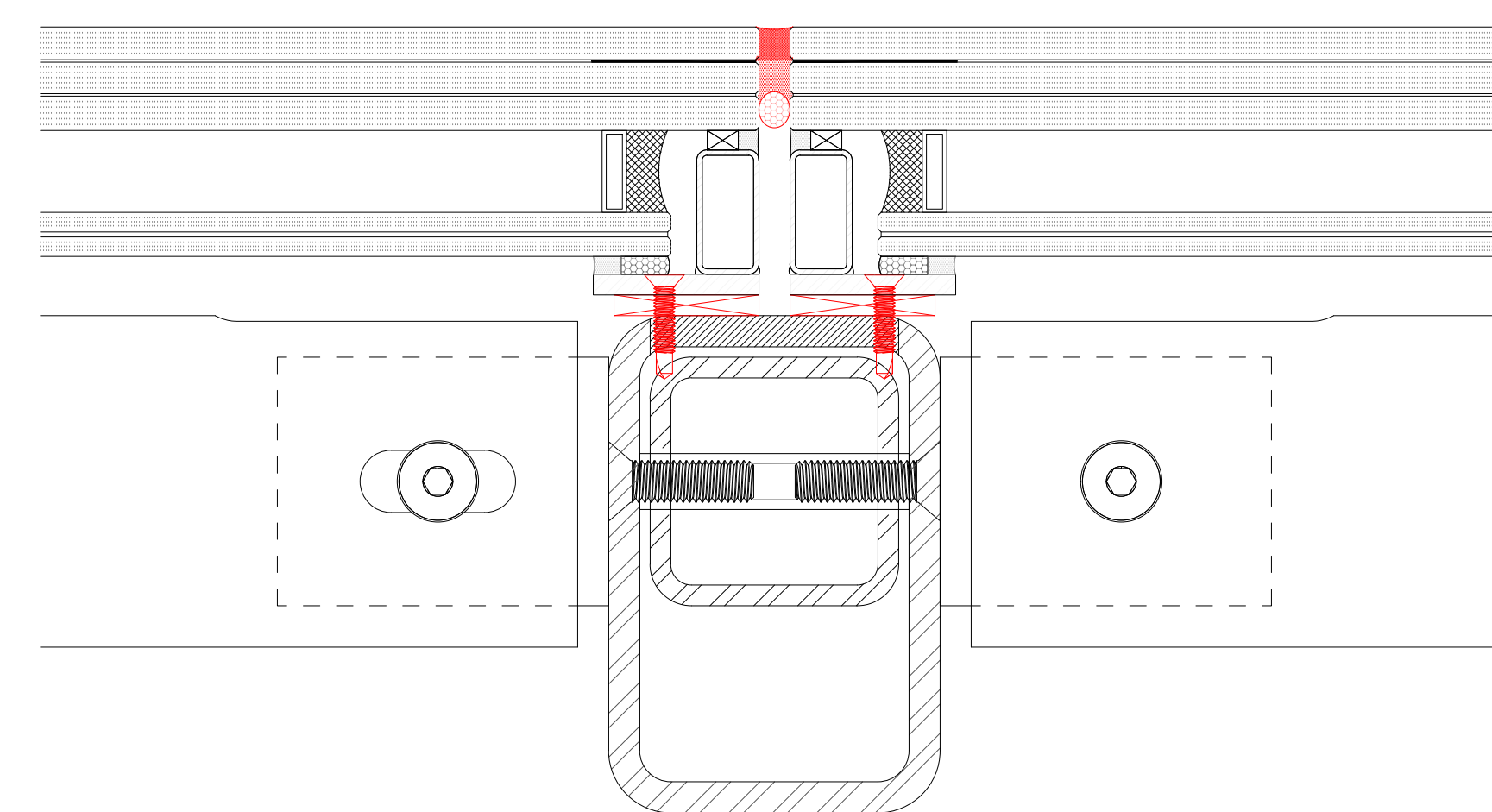
2 EDGE DETAIL @ CONCRETE  
D1 SCALE: 6" = 10"  
GREENLITE GLASS (INTERIOR DETAILS)



3 PURLIN DETAIL  
D1

EXTERIOR DETAIL

3 SECONDARY BEAM CONNECTION  
D1 SCALE: 6" = 10"  
GREENLITE GLASS (INTERIOR DETAILS)



4 RAFTER DETAIL  
D1

EXTERIOR DETAIL

4 PRIMARY BEAM CONNECTION  
D1 SCALE: 6" = 10"  
GREENLITE GLASS (INTERIOR DETAILS)

ARCHITECTS APPROVAL

CONTRACTORS APPROVAL

## MAXIMUM DIMENSIONS

RATING	APPLICATION	MAX. AREA OF GLASS SQ INCH	MAX. WIDTH INCH
60 MIN	HORIZONTAL	3481	88 1/2"

REVISIONS	DESCRIPTION	DATE	BY
△	-	-	-

PROJECT NAME

CUSTOMER NAME

DRAWN BY	PAGE No.
CHECK'D BY:	P1
SCALE	PROJECT #
DATE	INSTALLER

 Greenlite Glass Systems  
 2414 St Johns Street  
 Port Moody, BC, V3H 2B1

 Phone: 778.285.8530  
 Fax: 778.285.8520

 USA Patent No: 7 694 475 | Canada Patent No: 2 440 439  
 COPYRIGHT 2008 GREENLITE GLASS SYSTEMS Inc.


ARCHITECTS APPROVAL

CONTRACTORS APPROVAL

## MAXIMUM DIMENSIONS

APPLICATION	MAX. LENGTH INCH	MAX. WIDTH INCH
HORIZONTAL	202"	84"

REVISIONS	DESCRIPTION	DATE	BY
△	--	--	--

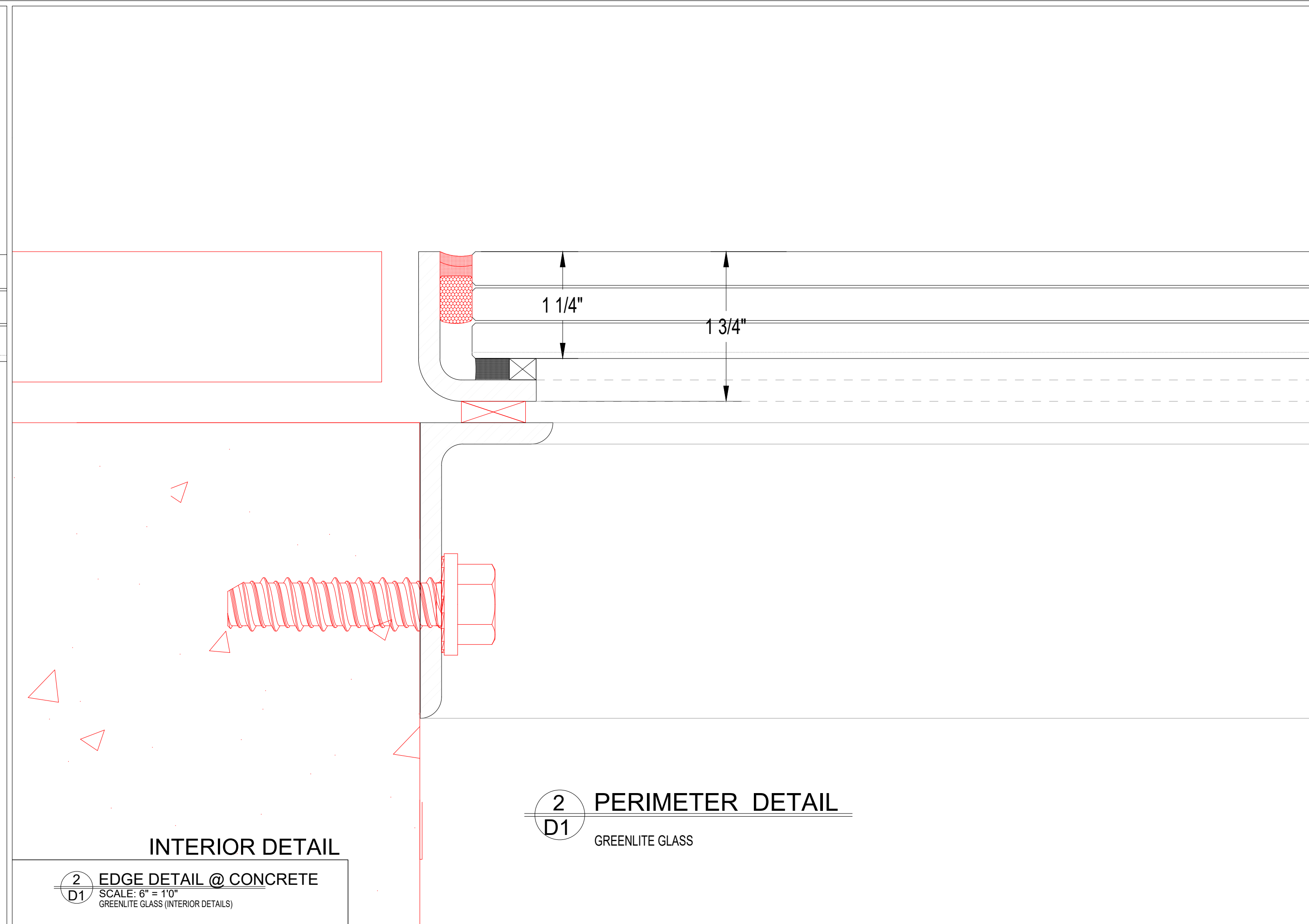
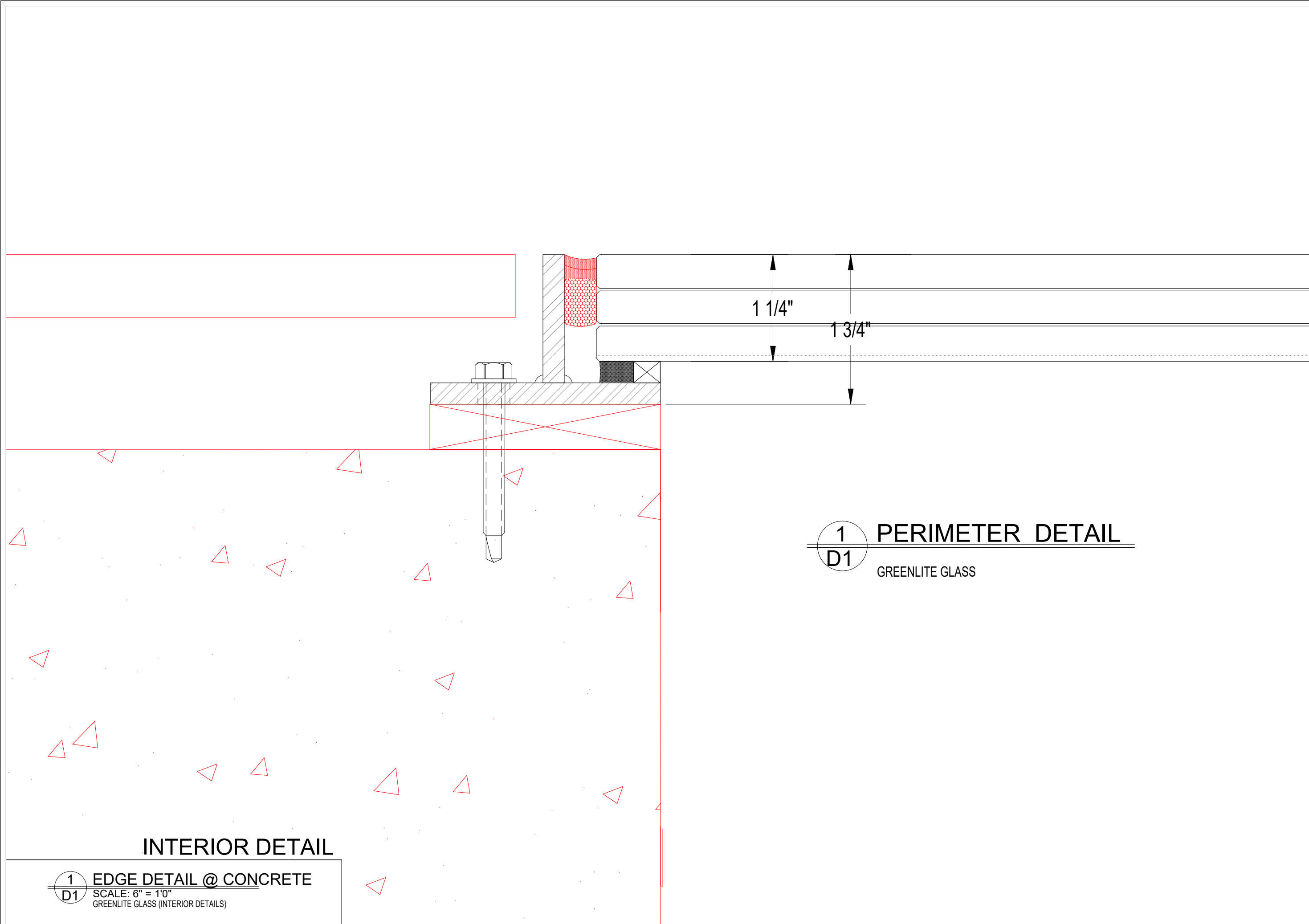
PROJECT NAME

CUSTOMER NAME

DRAWN BY:	PAGE No.
CHECK'D BY:	D1
SCALE:	PROJECT #
DATE:	INSTALLER

 Greenlite Glass Systems  
 2414 St Johns Street  
 Port Moody, BC, V3H 2B1

 Phone: 778.285.8530  
 Fax: 778.285.8520

 USA Patent No: 7 694 475 | Canada Patent No: 2 440 439  
 COPYRIGHT 2008 GREENLITE GLASS SYSTEMS Inc.


ARCHITECTS APPROVAL

CONTRACTORS APPROVAL

MAXIMUM DIMENSIONS

APPLICATION	MAX. LENGTH INCH	MAX. WIDTH INCH
HORIZONTAL	202"	84"

REVISIONS	DESCRIPTION	DATE	BY
△	--	--	

PROJECT NAME

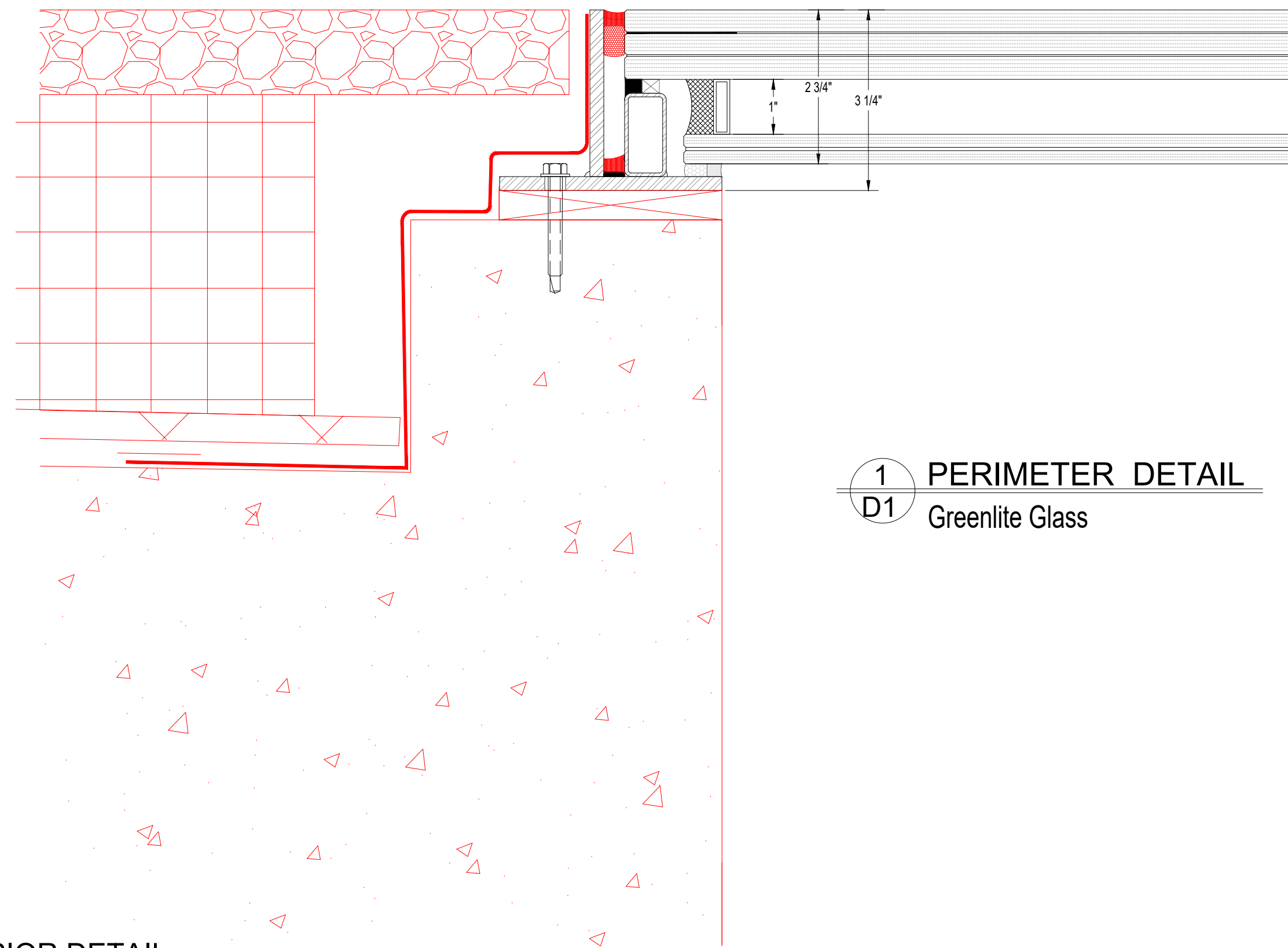
CUSTOMER NAME

DRAWN BY	PAGE No.
CHK'D BY:	D1
SCALE	PROJECT #
DATE	INSTALLER

Greenlite Glass Systems  
2414 St Johns Street  
Port Moody, BC, V3H 2B1

Phone: 778.285.8530  
Fax: 778.285.8520

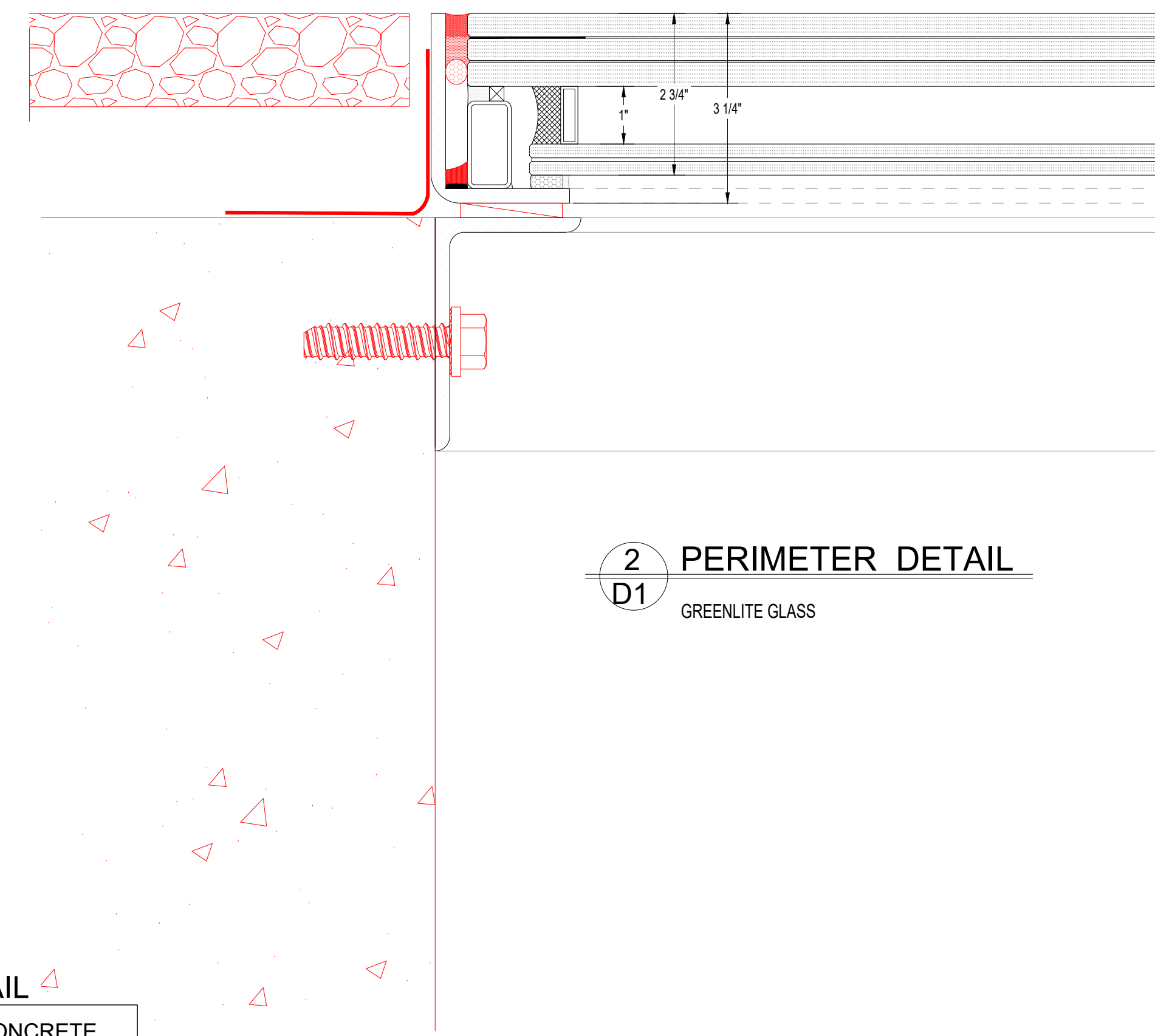
USA Patent No: 7 694 475 | Canada Patent No: 2 440 439  
COPYRIGHT 2008 GREENLITE GLASS SYSTEMS Inc.



**1 PERIMETER DETAIL**  
D1 Greenlite Glass

EXTERIOR DETAIL

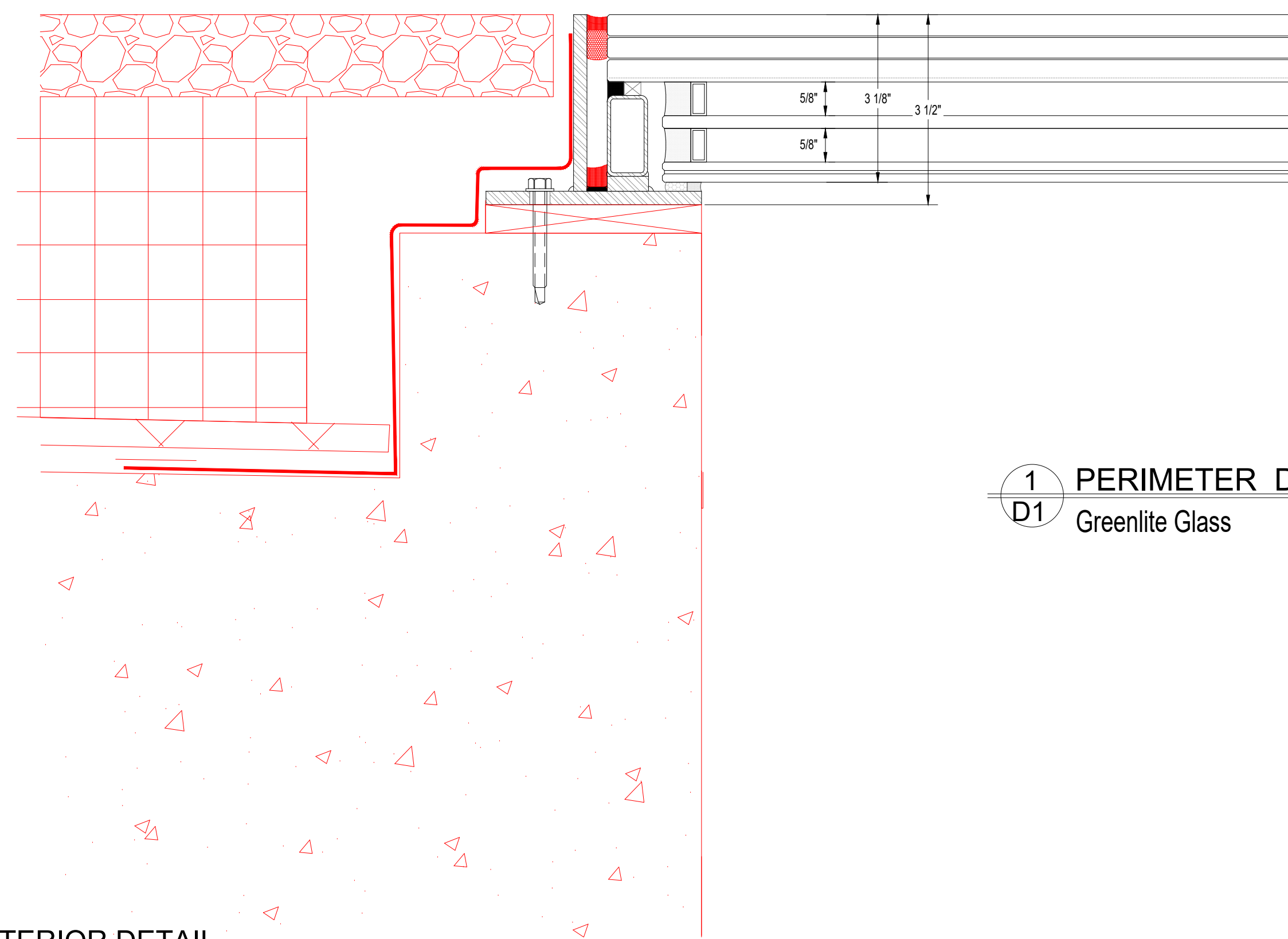
**1** EDGE DETAIL @ CONCRETE  
D1 SCALE: 6" = 10"  
GREENLITE GLASS (EXTERIOR DETAILS)



**2 PERIMETER DETAIL**  
D1 GREENLITE GLASS

EXTERIOR DETAIL

**2** EDGE DETAIL @ CONCRETE  
D1 SCALE: 6" = 10"  
GREENLITE GLASS (EXTERIOR DETAILS)



**1 PERIMETER DETAIL**  
D1 Greenlite Glass

TRIPLE-EXTERIOR DETAIL

**1** EDGE DETAIL @ CONCRETE  
D1 SCALE: 6" = 10"  
GREENLITE GLASS (EXTERIOR DETAILS)