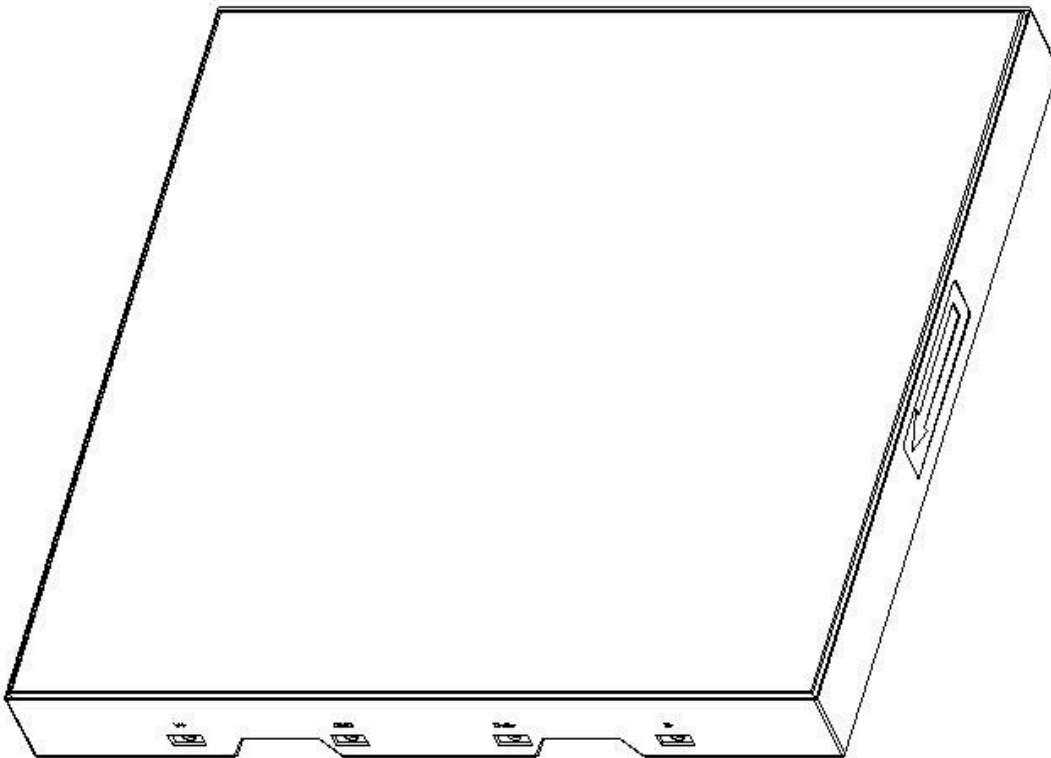


## LED 3D INFINITE DANCE FLOOR SF-LD6 OFS-1

### \*Product Overview

1. The product is latest updated LED mirror divided dance floor light.
2. With adopted the principle of mirror reflection on this product, the plane effect is transformed to be stereo-effect.
3. With used the technology of SLR partitioning inside and outside, the product's effect is infinitely extended on one direction, which will bring visual impact to customer.
4. Square shape appearance, this product is portable and is convenient to mounting & dismounting.
5. The Application field of this product is widely. They can be used for bar, evening show, KTV, coffee house. Meanwhile, they can be used for commercial illumination, public decoration and home decoration.



(Plane sketch)

## Specification:

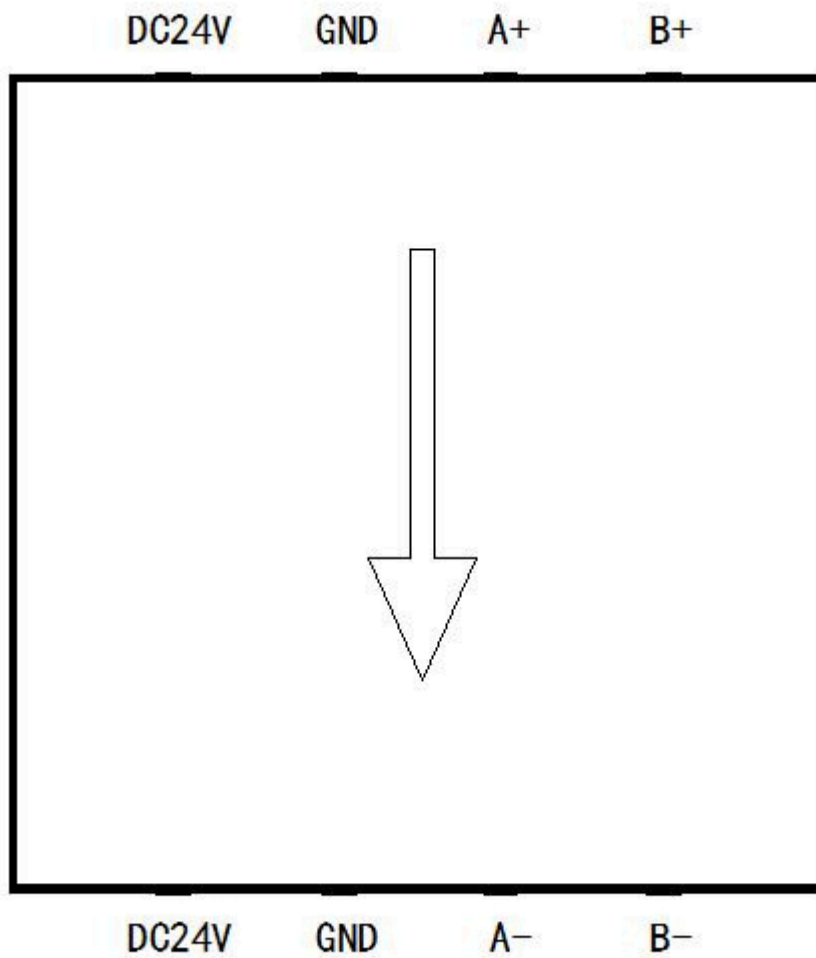
Model name	LD60FS-1
Control mode	SD control with DMX512, sounds active PC control ( Madrix acceptable)
Input signal	TTL
Dimension(mm)	L600*W600*H70mm
Light source	RGB 3 IN 1
Max power	15W
Input voltage	DC24V
Net Weight	13.2KG
Brightness	High brightness
Surface material	Temperedglass
Base material	ABS
Bear-weight	300KG/m2
IP rating	IP55
Viewing angle	160°
Working temperature	-20~ +45°C
Life-span	≥50, 000hours

## Hardware Installation Method

Note: The material of the panel is tempered glass. Do not bump it, otherwise it will be easily damaged. Please take it lightly when splicing.

1. Between the floors, they are fixed by a strong magnet, and the anti-detachment connecting piece. The connection is simple and convenient. When do the connection, set the starting point first, place the power edge parts (with cables), and then follow the direction of the arrow to connect each panels.
2. When connect the dance floor, the magnets should be aligned, or the power and signal will not be in good contact.
3. After testing the dance floor, connect the other edge parts and round corners.

## Circuit port of the dance floor

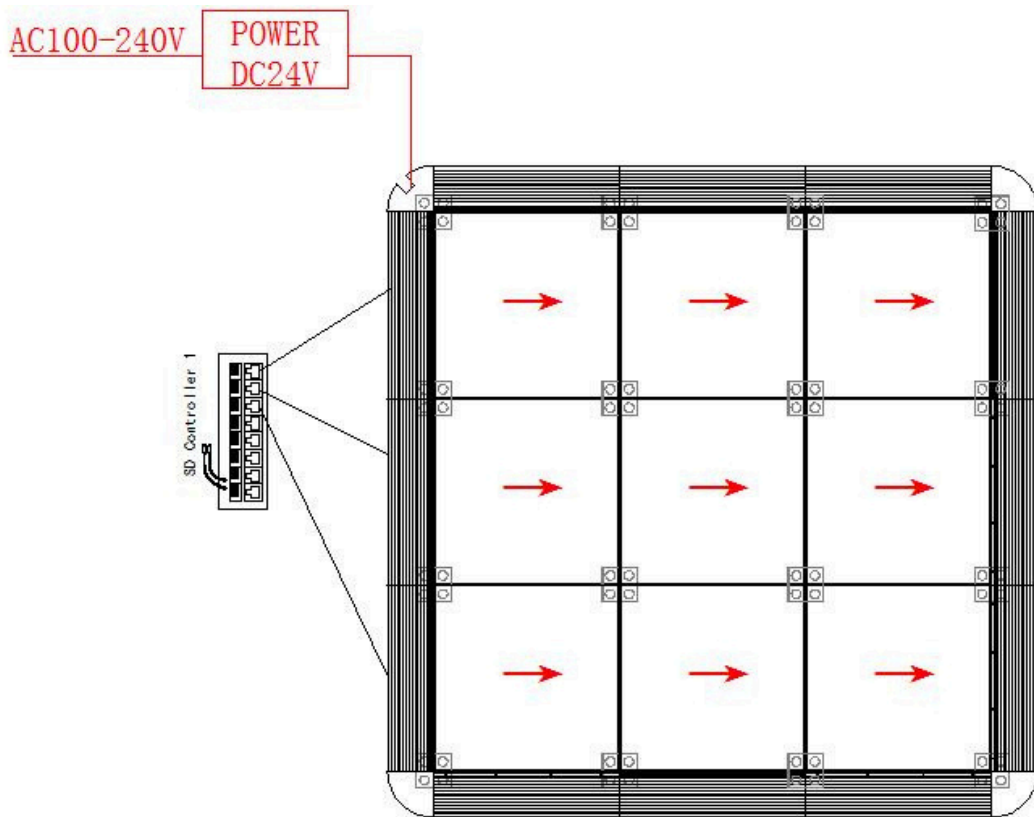


## Power Supply

This product uses an external power supply, and the lamps are powered by DC24V. The external power box converts the AC100-250V voltage to DC24V. We provide 350W, 500W, 750W and 1500W power supply for customers to choose.

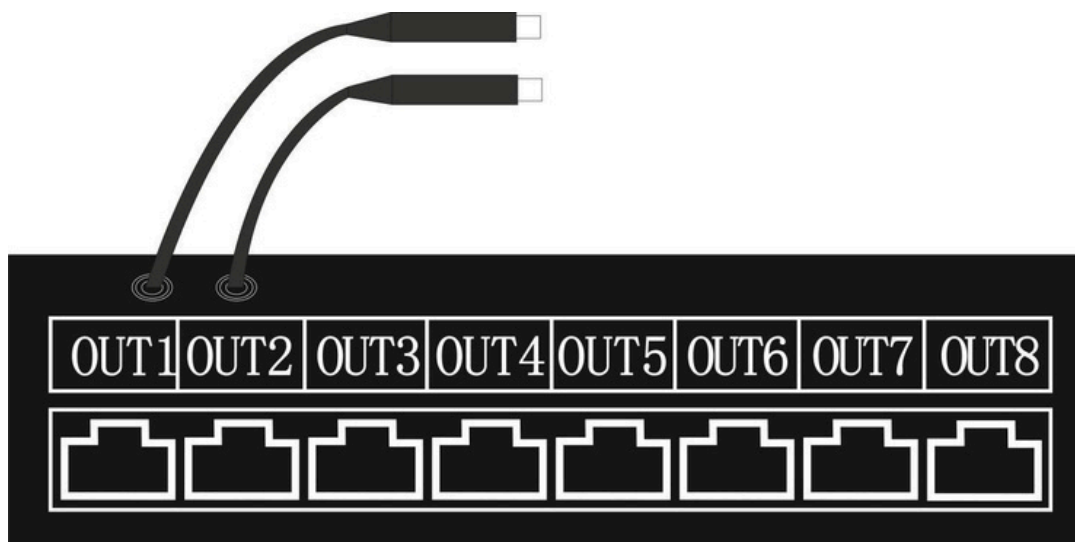


### SD controller connection diagram



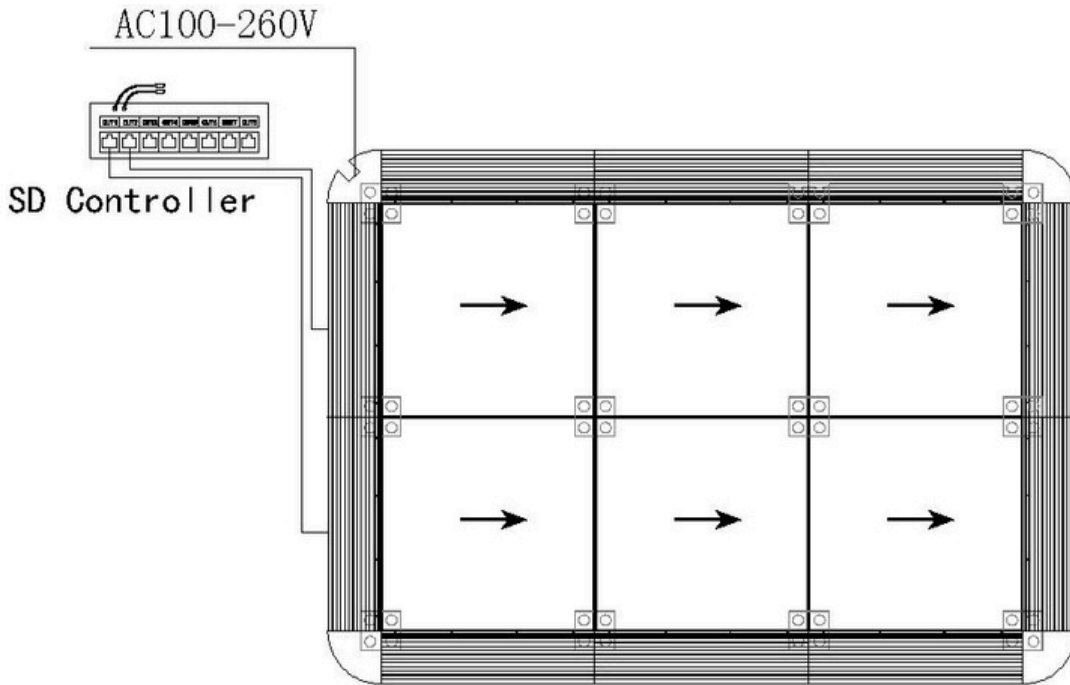
### Control method:

1,SD controller, as below. Attention: Plug in or pull out plug signal and SD card in power up situation are not allowed.



(LED Controller)

### SD controller splicing diagram



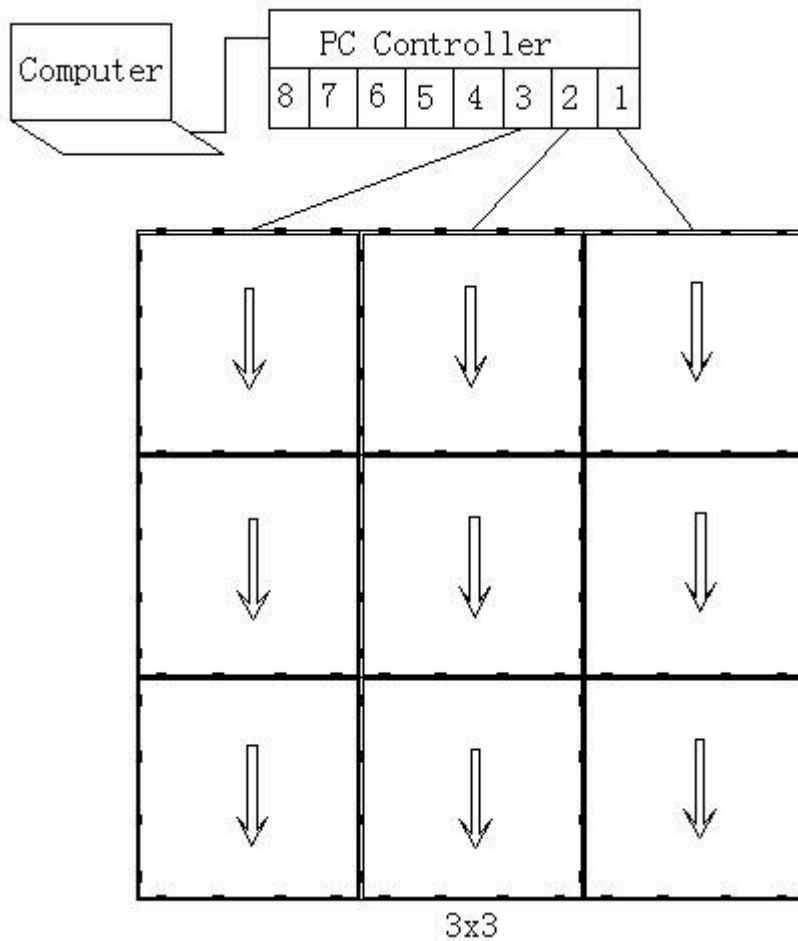
PC Controller On-line , as picture below:

UDP controller , model : SS-980A



SS-980A Controller

Computer



**Attention:**

1. Plug in or pull out plug signal and SD card in power up situation are not allowed.
- 2, Please do not turn on light and SD controller at the same time, it will cause the current to impact SD controller easily.
- 3, Please do not put the product on the easy-loose or easy-shock place.
- 4, To avoid the electric shock, please ask the technical people to fix this product.
- 5, Please do not combine or break up the lights under power on.
- 6, Please read the user manual and instruction of controllers before using this product.

**Thank you for using the product**