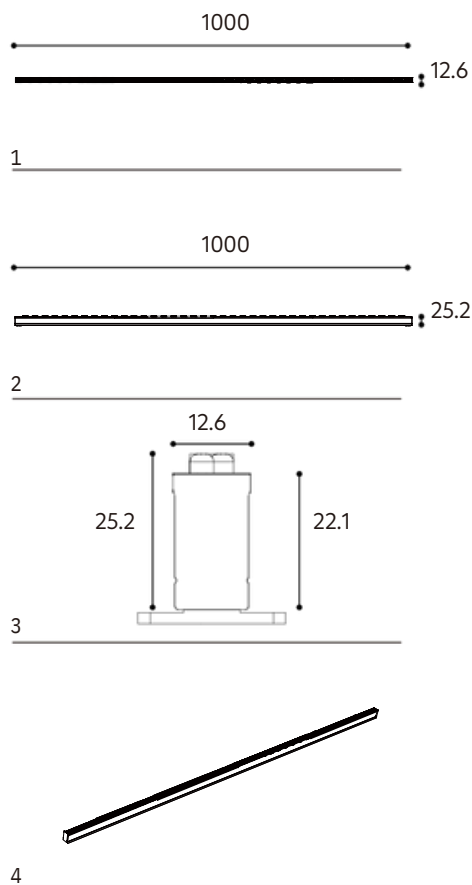


Strip Curtain/D Series

Product Dimension (mm)



Product Features:

APPLICATION:

Efficient, high performance lighting is achieved by the ability to select lengths, optics and pixel pitch, housing color, etc. High protection grade IP67, UV resistance, flame retardant V0, electrical safety class Class III. It can effectively ensure the stability of the lamp in outdoor environment for different weathers. It is used for large-pitch display strip screens or for building decoration; Flexible installation performance, suitable for various irregular building structures and various media solutions. Perfect integration with any building, unlimited installation.

LIGHTING PERFORMANCE:

High Color Rendition, High Grayscale when Low Brightness fully meet all kinds of video play requirements, smooth and no stuck. These high reliability and high brightness LEDs are designed to work in a wide range of environmental conditions. A wide viewing angle and high brightness make these LEDs suitable for outdoor screen, decorative lighting and amusement applications.

Structure:

Light weight and Ultra Slim, easy to install and maintain, It's can be combined with the curtain wall structure to ensure high permeability when used as a strip screen; extruded aluminum lamp body resistant to ultraviolet and salt spray, PU glue The full potting design ensures the waterproof property of the lamp body; the color of the lamp body is customized according to the curtain wall; the installation structure is reasonable and simple, and the front and rear maintenance is realized; the continuous splicing can hide the cable and integrate with the curtain wall

Control:

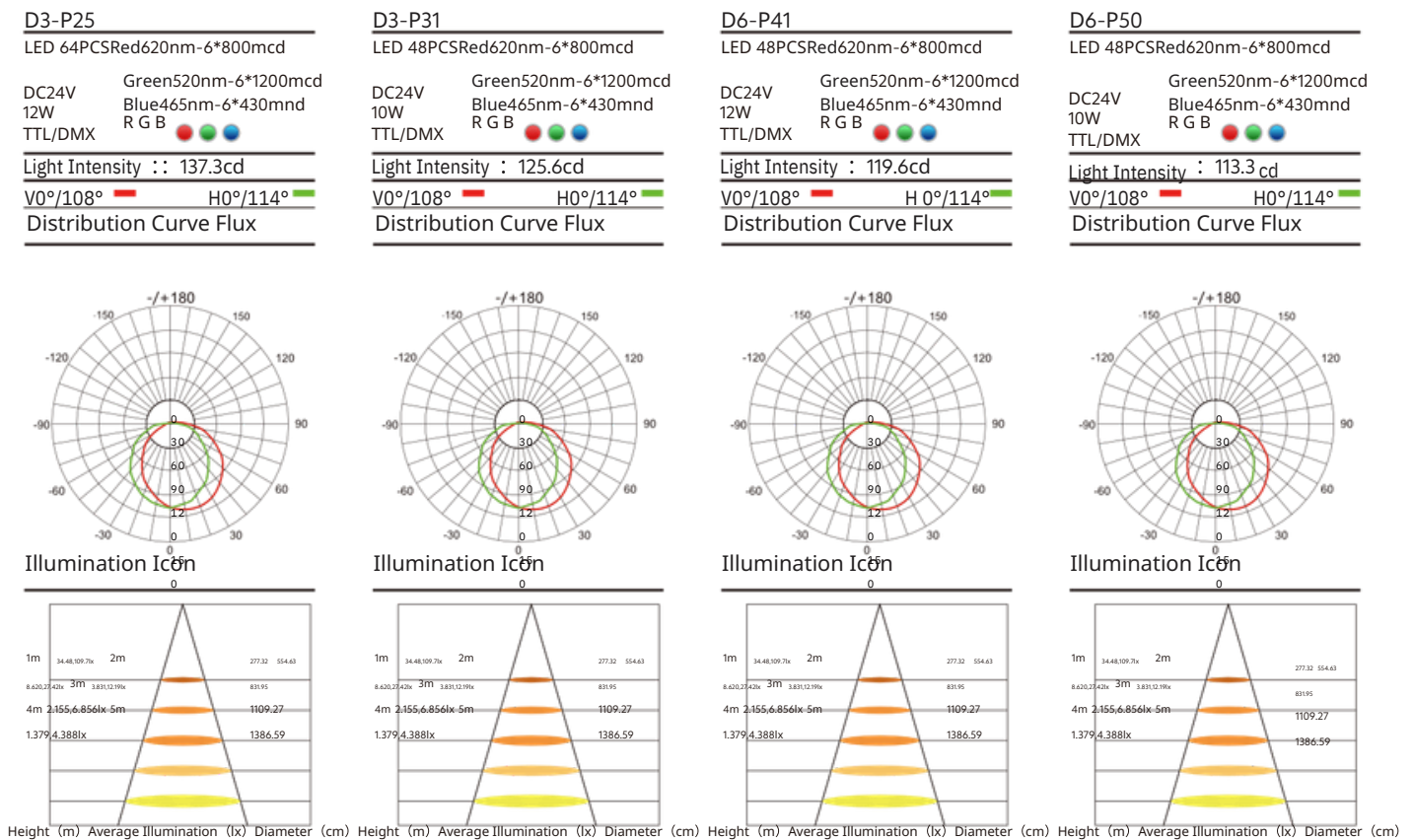
Video-level signal processing technology brings 60Hz frame rate and 16bit gray scale, with MF standard control system, ensure smooth and delicate video.

Technical Specification:

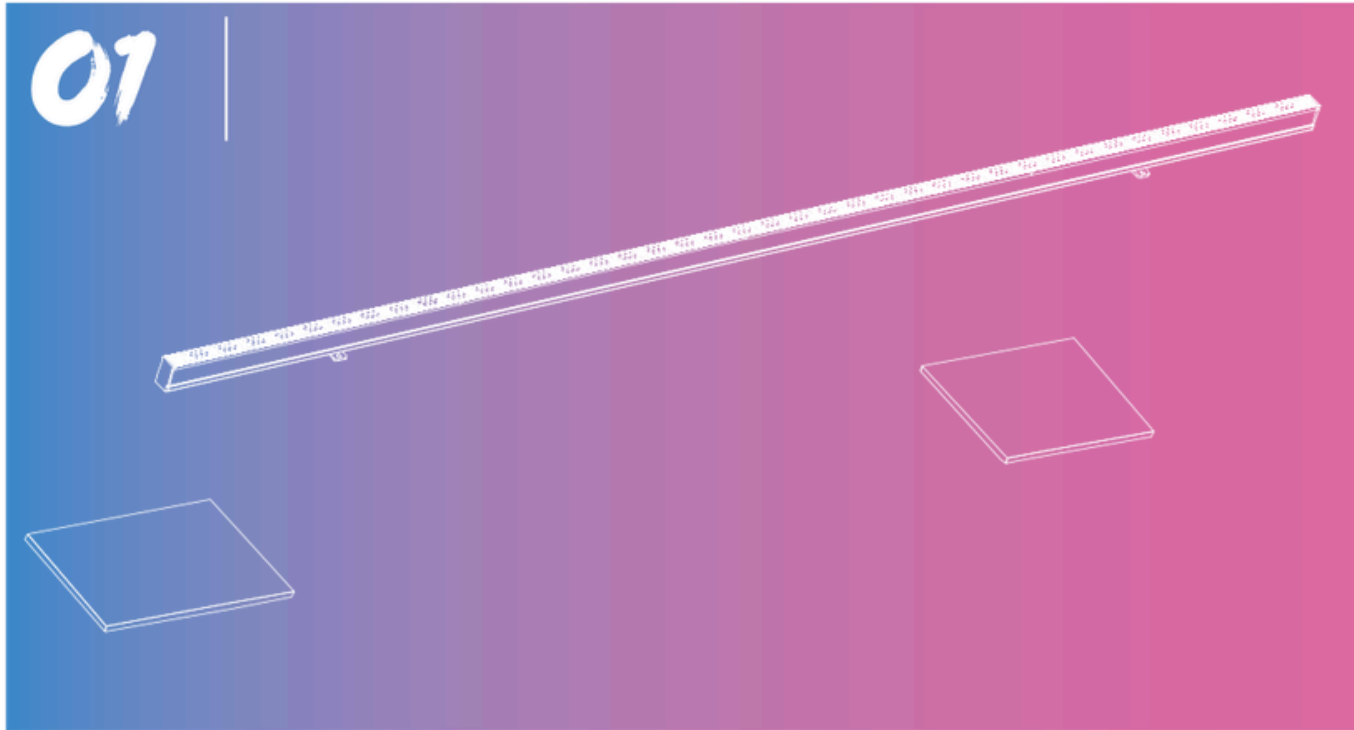
Model	D3-P25	D3-P31	D6-P41	D6-P50
Chip Brand	CREE/Epistar	CREE/Epistar	CREE/Epistar	CREE/Epistar
LED Source	3DIP/Pixels	3DIP/Pixels	6DIP/Pixels	6DIP/Pixels
Color Resolution	16bit	16bit	16bit	16bit
Beam Angle	V90°H110°	V90°H110°	V90°H110°	V90°H110°
Housing	Aluminum + PC	Aluminum + PC	Aluminum + PC	Aluminum + PC
Housing Color	Silver/Black/White	Silver/Black/White	Silver/Black/White	Silver/Black/White
Cover	40Pixels/M	32Pixels/M	24Pixels/M	20Pixels/M
Weight	260g	260g	260g	260g
Certification	ETL, CE, ROHS	ETL, CE, ROHS	ETL, CE, ROHS	ETL, CE, ROHS
Operating Voltage	DC24V	DC24V	DC24V	DC24V
Power Consumption	12W	10W	12W	10W
Control	TTL/DMX	TTL/DMX	TTL/DMX	TTL/DMX
Ingress Protection	IP67	IP67	IP67	IP67
Fire Protection Rating	UL94-V0	UL94-V0	UL94-V0	UL94-V0
Operating Temperature	-35~60°C	-35~60°C	-35~60°C	-35~60°C
Storage Temperature	-40~70°C	-40~70°C	-40~70°C	-40~70°C
Lifespan	≥80000h	≥80000h	≥80000h	≥80000h



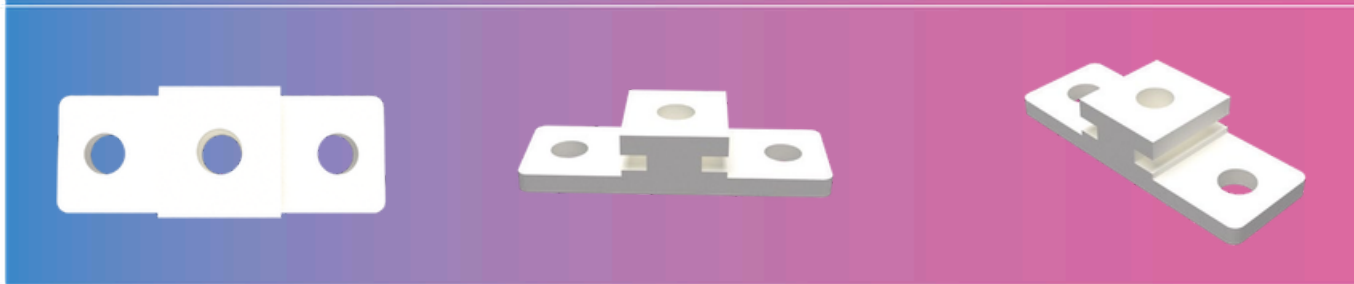
Optical Parameters:



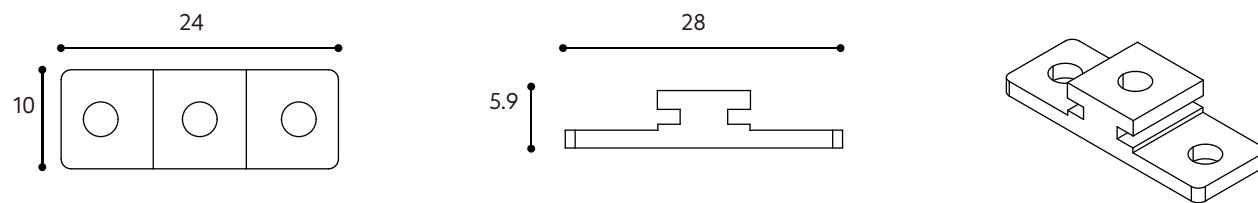
Installation:



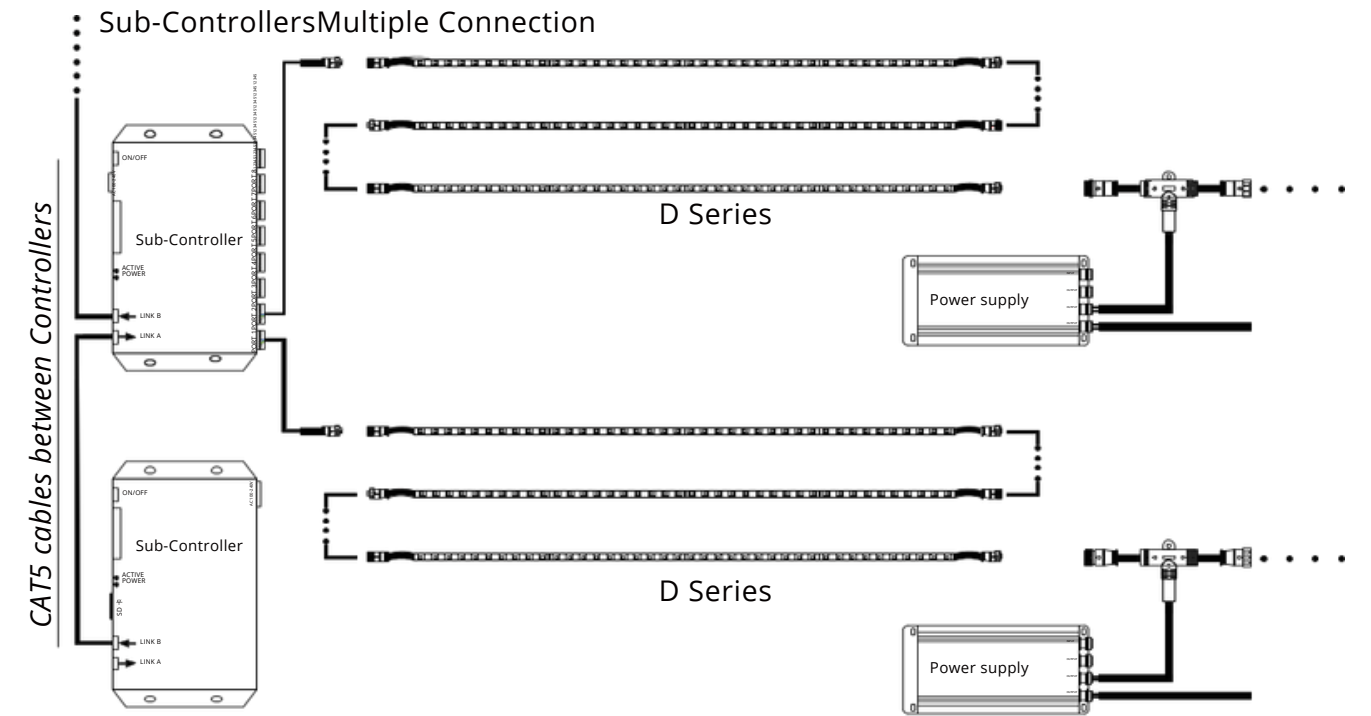
Accessories



Accessories Dimension(mm)



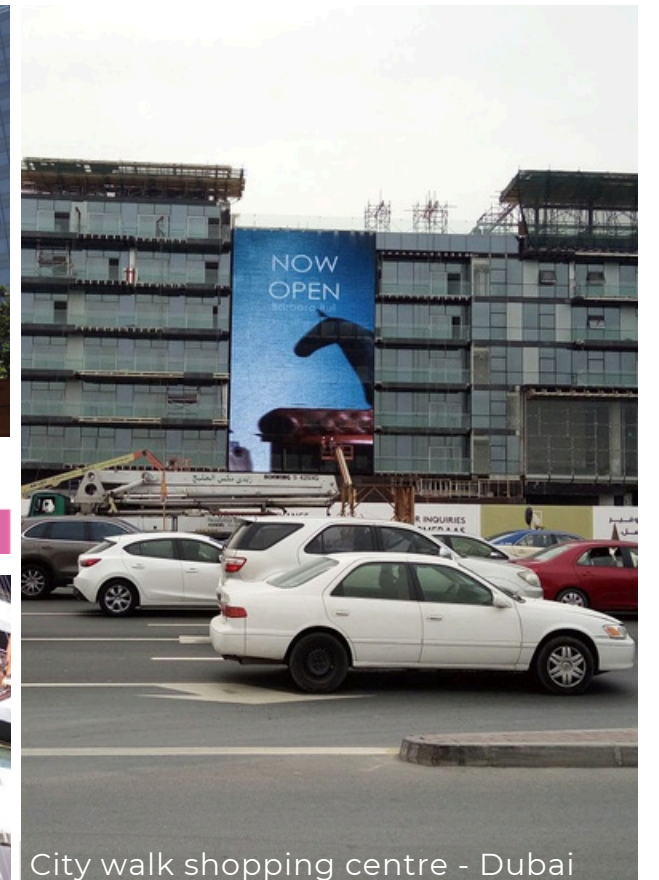
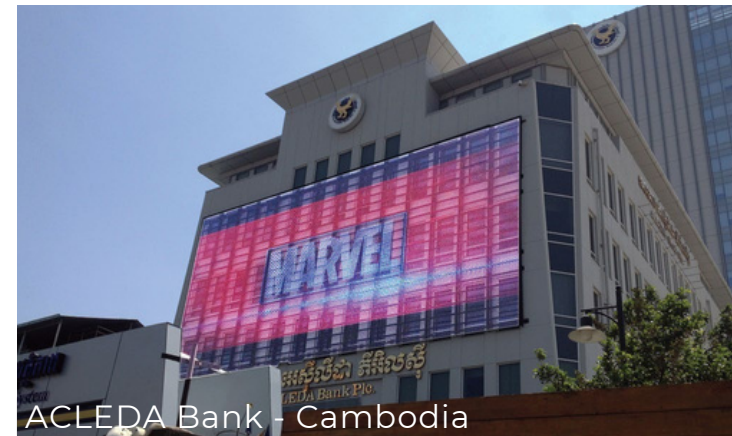
Control System Diagram



D Series

D Series is with 2 control options, 5-Pin DMX and 3-Pin TTL. One controller with 8 outputs, each takes max 1,024 DMX channels, or 1,536 TTL channels. Power input at the middle of strings is recommended.

Project Cases



Installation Details

