

The ACS logo features the letters 'ACS' in a bold, white, sans-serif font. The 'A' and 'S' are solid white, while the 'C' is white with a black outline. A white starburst graphic is positioned above the 'S'. The logo is set against a red background that has a white circuit-like line extending from the top right corner.

ACS

**ADVANCED
MANUFACTURING
SOLUTIONS**
A Hybrid Technology Company

The aks logo consists of the lowercase letters 'aks' in a bold, blue, sans-serif font. Below the letters, the words 'CUTTING SYSTEMS' are written in a smaller, white, sans-serif font, enclosed within a blue rectangular border.

aks
CUTTING SYSTEMS

ACS / AKS **water-kut X2** Cutting System.

The AKS water-kut x2 High-Precision Waterjet with a smaller footprint designed for heavy-duty applications, is a perfect entry-level waterjet for your manufacturing capabilities.



INDUSTRY EXPERTISE

Delivering the ACS / ASK Waterjet Cutting solutions for companies serving Traditional Manufacturing and Fabrication sectors, Aerospace, Automotive markets, Oil & Gas, Commercial Marine, RV, Composites.



A Trusted Partner Serving Customers in the Pacific Northwest (US) and Western Canada.

www.acs-iws.com

water-kut X2

The **AKS Cutting Systems**

“water-kut” X2 is a 5' x 10' or 6' x 12' platform CNC Waterjet Cutting System that includes many of the preferred features of the **AKS “water-kut” X3** and **X4**.

The **AKS “water-kut” X2** is a CNC x-y-z programmable waterjet cutting system that can incorporate either traditional 55,000 psi operating high pressure or upgraded to the ultra-high pressure 90,000 psi.



The **AKS “water-kut” X2** is designed and built to the same performance and durability standards as all **AKS Cutting Systems** utilizing over **100 years of AKS** superior machine building experience. The **AKS “water-kut” X2** offers superior performance in its price range, and optimizes the balance between performance and affordability in the market. The **AKS “water-kut” X2** is perfect for first time waterjet buyers who want entry-level investment with premium performance and upgrade capability.

The **AKS “water-kut” X2** uses **standard** all **KMT Waterjet** High Pressure technology including:

- **KMT** High Pressure Pump (Intensifier or Direct Drive)
- **KMT** High Pressure Abrasive Cutting Head and Consumables

The **AKS “water-kut” X2** uses **standard** all **MITSUBISHI** Controls technology including:

- **MITSUBISHI** CNC Controller M8 Series
- **MITSUBISHI** High Accuracy, High Speed, Servo Motors & Drives with Dedicated Core Processor Units for X-Y-Z axes

The **AKS “water-kut” X2** includes many standard features with available **OPTIONAL** upgrades like:

- Automatic Touch Probe
- Submerged Cutting Water Raise/Lower
- Automatic Garnet Removal System (GRS)
- Collision Sensor Bracket
- Laser Pointer
- AKS waterjet “robo-kut” 5-axis Cutting Head
- Closed Loop Water Recycling System (CLS)
- Abrasive Vacuum Sensor



AKS "water-kut" X2:

The AKS water-kut X2 is offered in 5'x10' or 6'x12' work envelope and is designed for shops that need a heavy duty, unitized, cost-effective, waterjet cutting table. The "water-kut" X2 comes standard with KMT TRILINE™ waterjet 55,000 psi high pressure direct drive pump for traditional waterjet cutting performance. The "water-kut" X2 can be upgraded to the KMT PRO-3 waterjet 90,000 psi ultra-high pressure intensifier pump.

The AKS "water-kut" X2 offers these unique features & benefits:

- Heavy-Duty "Unitized" One-Piece Frame Machine Tool
- Removable/Replaceable Slat Table System
- Cutting Table 6" Thick Full Plate Load Capacity
- Standard Water Table (optional Submerged Cutting Feature)
- X-axis Dual Synchronized Helical Rack & Pinion Drives on both sides
- Y-axis Single Bridge Helical Rack & Pinion Drive
- Z-axis Programmable Ball Screw (9.8")
- KMT TRILINE™ Direct Drive 55,000 psi high pressure pump
- (Optional KMT PRO-3 Intensifier 90,000 psi ultra-high pressure pump)
- 670 lb. Bulk Abrasive Feeder Hopper with Low Abrasive Sensor
- Adjustable Abrasive Mini-Hopper on Bridge
- Mitsubishi M80W Industrial CNC Controller
- 19" Color Touch Screen Operator Control Console
- Metamation Programming Software Package including CAM & Auto True Shape Nesting
- +/- .003" per 3' Accuracy of Motion
- 1200 ipm travel speed

Cut Virtually Any Material:

- Mild Steel
- Tool Steel
- Stainless Steel
- Aluminum
- Titanium
- Copper
- Brass
- Inconel
- Hastelloy
- Armor Plate
- Alloys
- Composites
- Laminates
- Ceramic
- Stone
- Marble
- Granite
- Plastic
- Rubber
- Foam



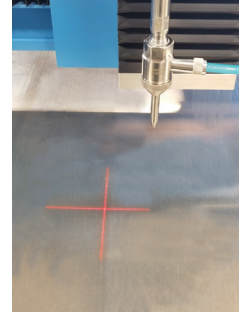
100 YEARS A TRADITION IN EXCELLENCE

The AKS "water-kut" X2 offers these optional accessory items:



Automatic Touch Probe and Collision Sensor Bracket – automatic step touch probe can be programmed at certain distance intervals to engage and insure proper nozzle tip stand-off height control and then adjusted while cutting to compensate if the work piece material is warped or not flat. The collision sensor ring can detect most crashes of the nozzle into tipped-up parts, or other items, via a circular metal ring around the nozzle tip which is pneumatically engaged and easily reset.

Laser Pointer – allows easy operator alignment of the cutting head to the material plate using a red laser crosshairs for precise location finding. The laser pointer is mounted on top of the bridge, above the Z-axis carriage, to insure protection from the harsh abrasive environment below. The nozzle is moved in X- and Y-axes by the operator in manual mode to position the nozzle in the exact location to cut.



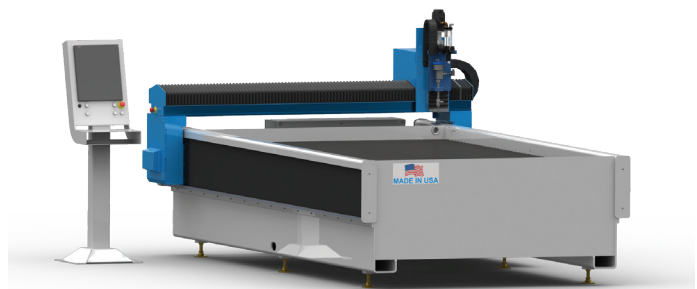
GRS – Garnet Removal System – automatically and continuously removes the used spent abrasive from the main catcher tank without downtime associated with cleanout. The GRS includes a sweeper package inside the tank which pumps the abrasive out of the tank into a settlement tank liner bag which is easily removed to a waste dumpster.

CLS – Closed-Loop Water Filtration & Recycling System – cleans, filters and recycles all discharge water from both cooling and cutting. This meets or exceeds the recommended water quality specification as required by the KMT high pressure intensifier pump. The CLS includes a bag filter vessel, a hurricane filter vessel and a resin bag chemical exchange vessel for three-stage filtration of cutting water, plus it also includes a chiller unit for recycling of cooling water.

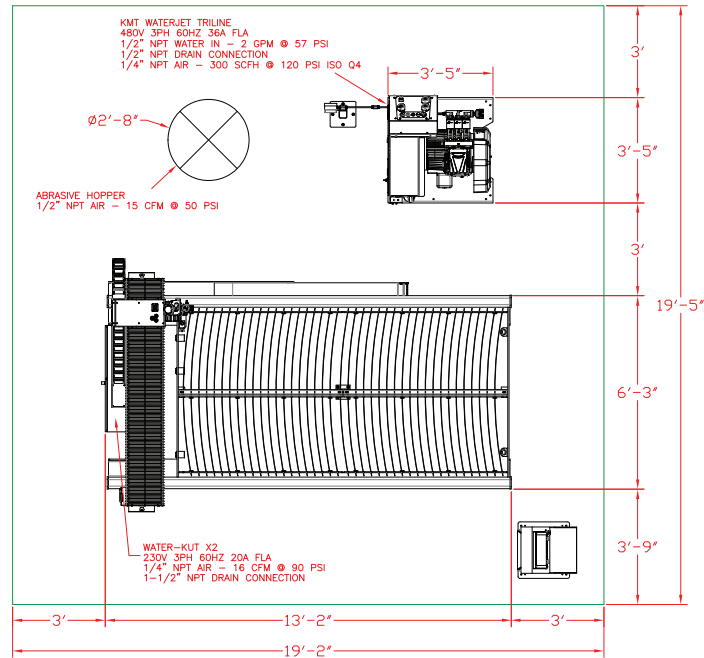


Upgrade to 90,000 psi – waterjet cutting with ultra-high pressures of 90,000 psi offers users the latest technology to maximize cutting speeds. For example, 90,000 psi cutting of 1" aluminum is 15-25 ipm while 60,000 psi cutting of 1" aluminum is 5 -10 ipm. With the latest technology from KMT in high pressure seals, cylinders and check valves, operating costs of the 90,000 psi operation have never been lower, and usually cost only a few dollars more per hour than a 60,000 psi operation.

5' x 10' or 6' x 12' Systems Available – the same "water-kut" X2 chassis is offered in either 5' x 10' or 6' x 12' cutting envelope. Standard sizes include the same precision ground helical rack and pinion drive systems for X- & Y-axes and all same features and benefits in both sizes.



RECOMMENDED MACHINE LAYOUT



MITSUBISHI CNC CONTROLLER

The **AKS "water-kut" X2** utilizes the MITSUBISHI CNC Controller for the world's fastest and next generation of Super Smooth Surface (SSS-4G) control. The M8 Series CNC control platform ensures faster, smooth operation, along with a better finish and less scrap resulting in higher productivity and profitability.

Key Benefits:

- CNC-dedicated CPU - Improved cycles times from faster program processing with more accurate machining due to a faster CNC to drive communication network
- Intuitive Touch Screen Operation - Icon-based navigation improves usability for experienced and novice operators. 19" screen offers improved visibility and includes pinch, flick and scroll abilities like a smart phone or tablet. Capacitive touch-screen panel has easy operation and longer service life
- Improved SSS Control - Reduces machine vibration during high speed cutting and optimizes acceleration/ deceleration times for each axis. This allows for shorter cutting times with a high degree of accuracy
- Large Capacity SD Card Expansion
- High-speed, High-accuracy Mode
- User Level Based Data Protection - M8 series allows for multiple levels of permissions for operators depending on their role
- No-fan structure



Metamation
Leading the Industry in Innovative CAD/CAM Software

METAMATION CAD/CAM NESTING SOFTWARE

- Compatible with most drawing formats including .dxf, .dwg, and IGES
- The Auto "True-Shape" Nesting feature allows the user to select types and quantities of parts, optimizing material utilization and reducing waste and time. Auto Nesting includes manual setting and 3 different advanced algorithms for optimum performance
- The Auto "True-Shape" Nesting feature includes nesting multiple parts in specified sheet layout with control of rotation and spacing to maximum utilization and sheet database management. No need for 3rd party offline nesting
- The Estimating feature generates specific machining cycle time estimates and cost estimates prior to the actual cutting process
- Includes technology database tables for the user to easily select the specific material, thickness, and edge quality finish from 5 different quality of cuts. There is also complete independent control of offset and taper for each cut quality. Metamation Metajet is expressly developed for processing parts for waterjet cutting operation



**A TRADITION IN EXCELLENCE
FOR OVER 100 YEARS**



**ADVANCED
MANUFACTURING
SOLUTIONS**
A Hybrid Technology Company

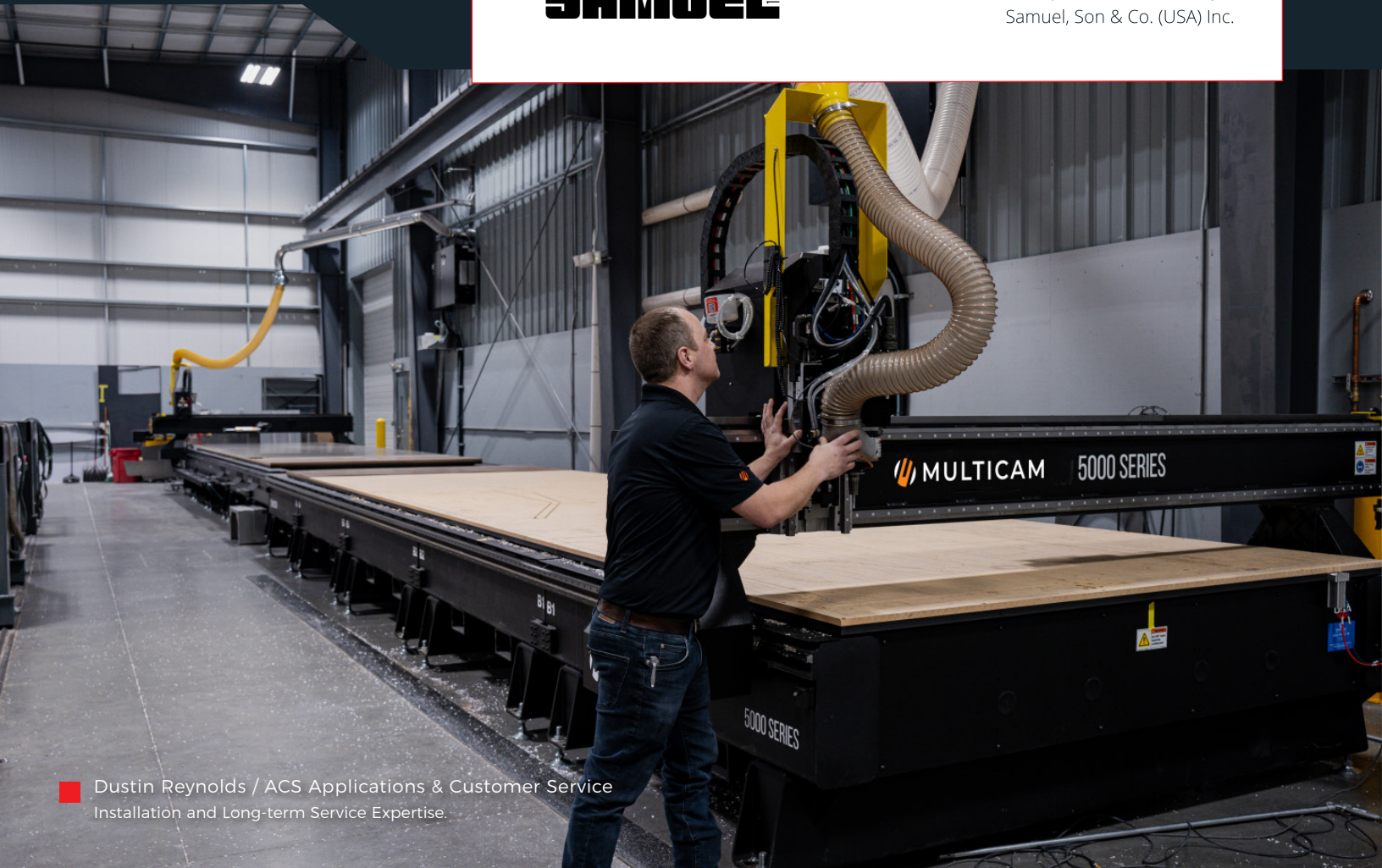
ACS Applications Specialists

ACS is a team of collaborating application specialists, providing curated Advanced Industrial Manufacturing Solutions with integrated consulting and long-term services and support. The technologies and services that ACS offers to established manufacturers in the Pacific Northwest and Western Canada. We provide the highest level of expertise, application knowledge and ongoing onsite regional service and partnership, focused on helping build growth for our customers through advanced industrial manufacturing technology applications.

“ As each of you very well know, any piece of equipment is only as good as the company that stands behind it. Your exceptional service and equipment knowledge provides Samuel with the solutions we need! ”



- Mike Van Dyke / General Manager
Samuel, Son & Co. (USA) Inc.



Dustin Reynolds / ACS Applications & Customer Service
Installation and Long-term Service Expertise.



1135 Pacific Place, Unit #117 Ferndale, Washington 98248



Let's Connect.

www.acs-iws.com

www.acs.ca

www.acscolabpartners.com