

Description:

It is a new design IP66 Waterproof outdoor Wall Mount Speaker, which is Beauty, Durability, Performance and User Friendliness. It delivers high quality audio as well as clean and clear announcements for public address systems.

Default black color, white color optional.

Features:

- ▶ IP66, all weather speaker for indoor and outdoor use
- ▶ With power tap for 70V/100V and 8Ω
- ▶ Available in 6.5 inch
- ▶ Quick installation with water-proof brackets
- ▶ Fashionable appearance with high quality sound

Specifications:

Model	WWS2
Power at 100V	5W/10W/20W/40W, 60W@8ohm
Power at 70V	2.5W/5W/10W/20W, 60W@8ohm
Max SPL@ 1M	105dB
Freq. Response	57Hz-20KHz
Dispersion Angel	90x80 degree
Product Size	285x195x180mm
Installation	Wall mount
Enclosure Material	ABS
Weight	3.28kg
Finish	White/Black
Speakers	6.5" woofer, 1" tweeter

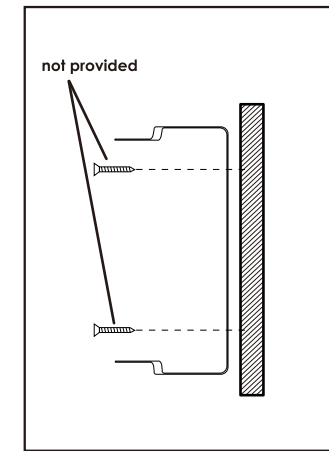
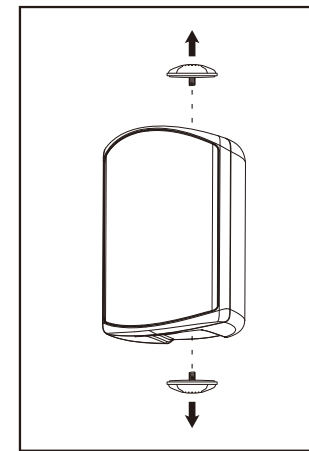


Installation:

Each speaker is supplied with a weather-resistant "C" type mounting bracket. This bracket attach to the speaker with the supplied knobs that thread onto the top and bottom studs protruding from the cabinet. This allows the speaker to be angled to the left or right when mounted vertically, or up and down when mounted horizontally.

After determining the desired location and orientation of your speakers ,remove the brocket from the loudspeaker and use it as a template to mark the location of the mounting holes.

Check the alignment of the holes with a torpedo level before drilling the pilot hole.



Affix the speaker to the bracket with the supplied knobs. Be sure to leave enough clearance between the end of the bracket and any adjacent wall or ceiling for installation of the knobs. Point the speaker toward the listening area.

If you are not sure about the material or strength of the wall or ceiling, please contact your authorized dealer or installer to avoid any damage.

