

Technical Datasheet No : 100_(v 2)

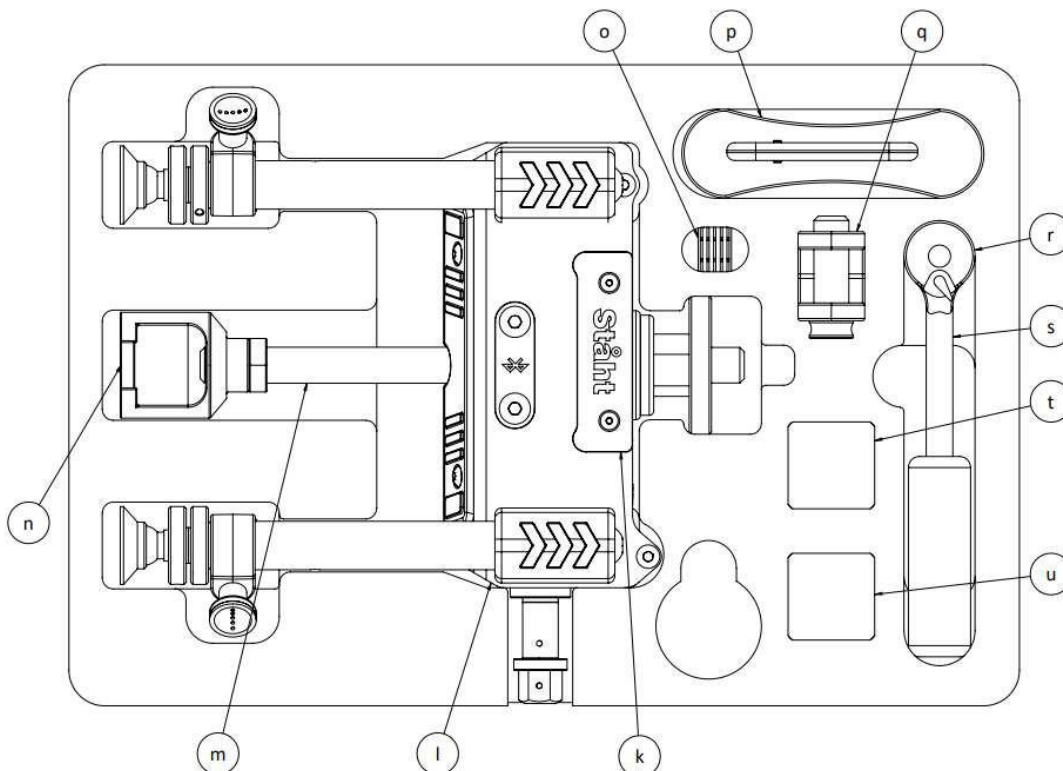
Part Number 600-004

60kN Digital Tensile Tester Kit, c/w Accessories & Heavy-Duty Case



Application – The Staht Tester Kit is designed to test construction safety eye bolts up to a maximum load of 60 kN / 13489 lbf. The kit is supplied in a heavy-duty case.

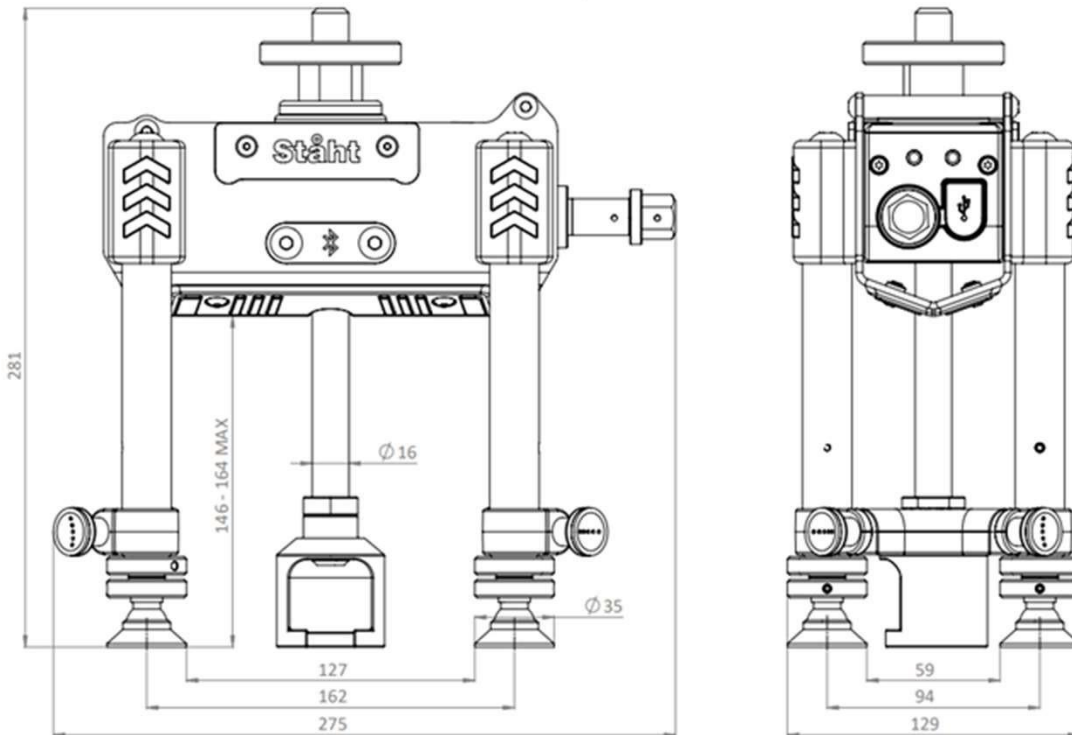
Kit Content: 60kN Digital Load Cell (k) , Bridge (l), Drop Rod & Top Nut (m), Anchor Jaw (n), Clevis (q), USB-C Charge Cable(o), Tool Lanyard for Tester (p), 17mm Socket (r), 3/8” Socket Wrench c/w Wrist Lanyard (s), Threaded Washer Pack M6, 8, 10, 12, 16 & 20 (t), Slotted Washer Pack M6, 8, 10, 12 & 16 (u), 24mm Spanner, Calibration Certificate & User Instructions, Heavy Duty Case & Filler.



Technical Datasheet No : 100^(v 2)

Part Number 600-004

60kN Digital Tensile Tester Kit, c/w Accessories & Heavy-Duty Case



Specification

Operating Load Range	0 – 60 kN / 0 - 13489 lbf
Max Torque @ 60 kN / 13489 lbf	25 Nm / 18.4 ft-lbs
Operating Temperature Range	-20 to 60 °C / -4 to 140°F
Charging Temperature Range	0 to 45 °C / 32 to 113°F
Tester Weight (Tester Only)	4.6 kg / 10.1 lbs
Kit Weight & Dimensions	10.1 kg/ 22.2 lbs. 0.465 x 0.350 x 0.175 m / 18.3 x 13.8 x 6.9"
Packaged Weight & Dimensions	10.8 kg/ 23.8lbs. 0.5 x 0.385 x 0.21m / 19.6 x 15.15 x 8.27"
Tool Lanyard Length & Capacity	0.9 - 1.65 m ext / 31.5-65"ext. MAX 8 kg / 17.6 lbs
Wrist Lanyard Capacity	0.9 kg / 1.98 lbs
USB-C Braided Charge Cable	1 m / 39". 3 Amp
Connectivity	Staht Connect App via Bluetooth® LE
Battery	Rechargeable Li-Ion Polymer
Hydraulic Oil	ISO VG 32 Premium Mineral Based Oil
Test Standards	EN 61000-6-3:2007+A1:2011, EN 61000-4-2:2009, EN 61000-4-3+A1:2010 +A2:2010, EN 61000-4-6:2014
Certification	CE, UKCA

Technical Datasheet No : 101^(v 2)

Part Number 600-009

60kN Digital Tensile Tester Kit, c/w Accessories & Kit Bag



1 of 60

Application – The Staht tester is designed to proof load test anchors and safety eye bolts up to a maximum load

Kit Content: 60kN Digital Load Cell, Bridge, Drop Rod & Top Nut, Anchor Jaw, Clevis, USB-C Charge Cable, 100L Lanyard for Tester, 17mm Socket, 3/8" Socket Wrench c/w Wrist Lanyard, Threaded Washer Pack M6, 8, 10, 12, 16 & 20, Slotted Washer Pack M6, 8, 10, 12 & 16, 24mm Spanner, Calibration Certificate & User Instructions, Padded Bag.

Specification

Operating Load Range	0 – 60 kN / 0 - 13489 lbf
Operating Temperature Range	-20 to 60 °C / -4 to 140°F
Max Torque @ 60 kN	25 Nm / 18.4 ft-lbs
Charging Temperature Range	0 to 45 °C . 32 to 113°F
Tester Weight (Tester Only)	4.6 kg / 10.1 lbs
Kit Weight & Dimensions	8 kg / 17.6 lbs. 0.35 x 0.31 x 0.17 m / 13.8 x 12.2 x 6.69"
Packaged Weight & Dimensions	8.7 kg / 19.1 lbs. 0.5 x 0.385 x 0.21 m / 19.6 x 15.15 x 8.27"
Tool Lanyard Length & Capacity	0.9-1.65 m / 31.5-65". 8kg / 17.6 lbs
Wrist Lanyard Capacity	0.9 kg / 1.98 lbs
USB-C Braided Charge Cable	1 m /39". 3 Amp
Connectivity	Staht Connect App via Bluetooth® LE
Battery	Rechargeable Li-Ion Polymer
Hydraulic Oil	ISO VG 32 Premium Mineral Based Oil
Test Standards	EN 61000-6-3:2007+A1:2011, EN 61000-4-2:2009, EN 61000-4-3+A1:2010 +A2:2010, EN 61000-4-6:2014
Certification	CE, UKCA