

EzyJamb | EZC Classic Adjust Door Frame
Installation Instructions

Step 1

Ensure that the stud opening is square and level and measures:

Stud opening sizes for Herline /Liftoff Hinges

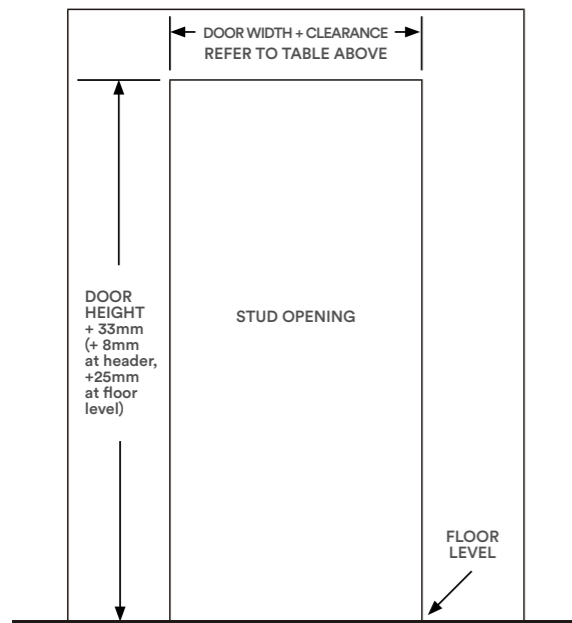
Width Single Door	Door Width +15mm Clearance
Width Double Door	Door Width +18mm Clearance
Height	Door Height +33mm (+8mm at header, +25mm at floor level)*

Stud opening sizes for RY60 Concealed Hinges

Width Single Door	Door Width +40mm Clearance
Width Double Door	Door Width +63mm Clearance
Height	Door Height +33mm (+8mm at header, +25mm at floor level)*

*depending on floor clearance. Check with the Project Manager on site to confirm floor coverings.

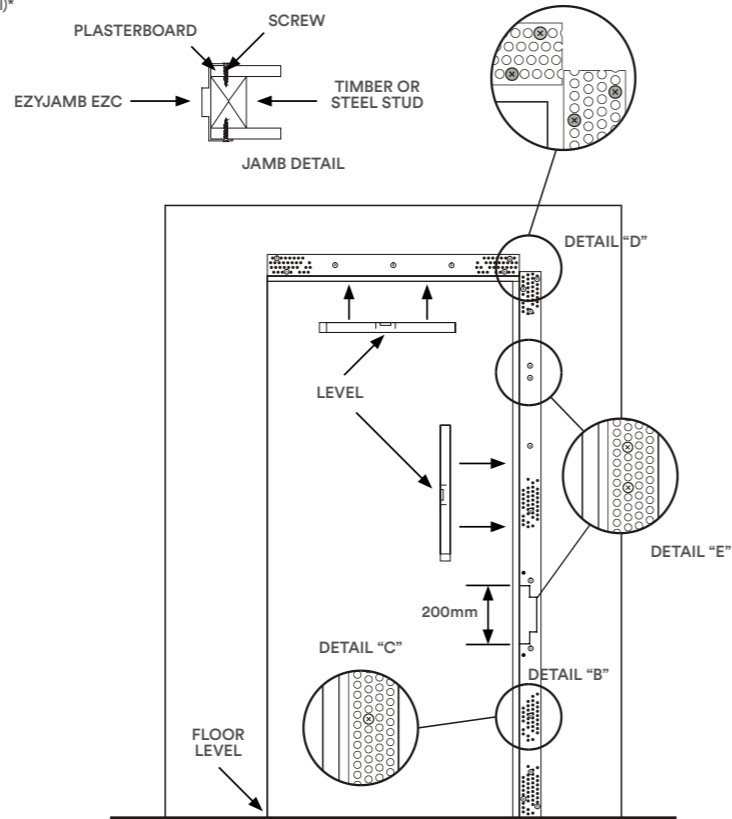
i It is strongly recommended that a timber stud or a 0.75 BMT metal stud is used on both sides of the opening.



Step 2

Fasten hinge side first, making sure jamb is level and as tight against stud opening as possible. Then screw at 200mm centres up stile, screwing back through plasterboard into stud work See *Detail 'B'* and *'C'*.

Double screw all ends as per *Detail D*. and beside hinge position - both above and below hinge as *Detail E*.

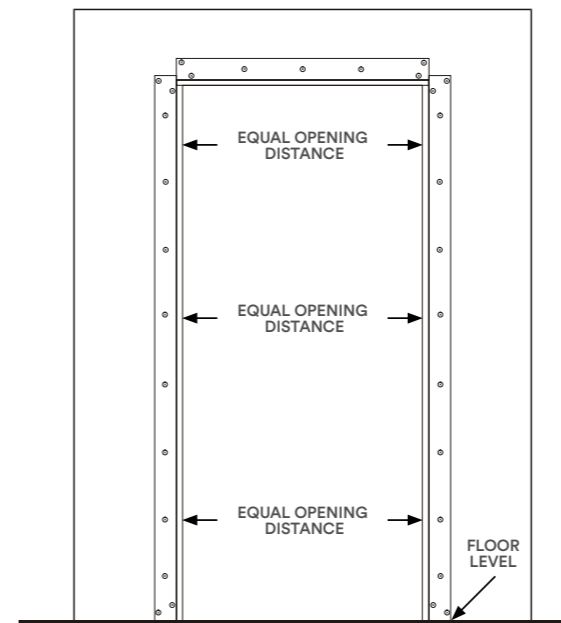


EzyJamb | EZC Classic Adjust Door Frame
Installation Instructions

Step 3

Fit the final vertical section (strike jamb) into the head section joining clip. Ensure that the spacing between the two vertical sections are spaced evenly at the required distance.

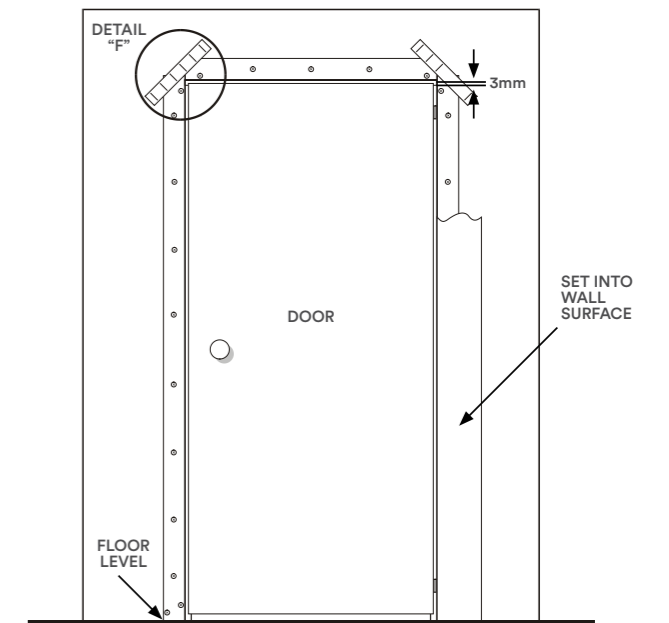
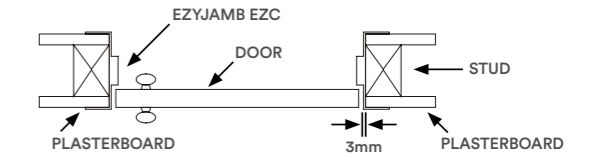
ie: 820mm door, opening is 825mm
 720mm door, opening is 725mm



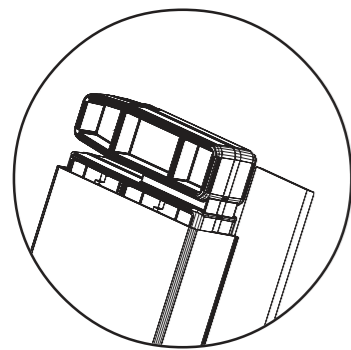
Step 4

Ensure the perforated side strips sit flat against the plasterboard to enable the jamb sections to be easily set into the wall surface. **All the corners must be taped and plastered/jointed in as Detail F.** Finish the jamb with approved plaster/jointing compound.

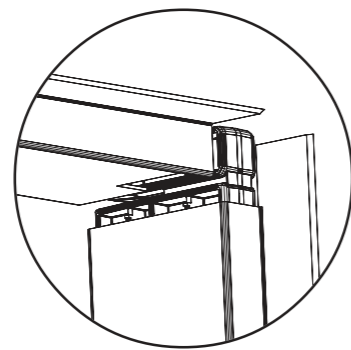
Hang the door in position leaving about 3mm clearance from the top and the hinged side using the EzyJamb Standard or concealed Hinges. Surface mount the striker plate into position to align with the latch plate punching.



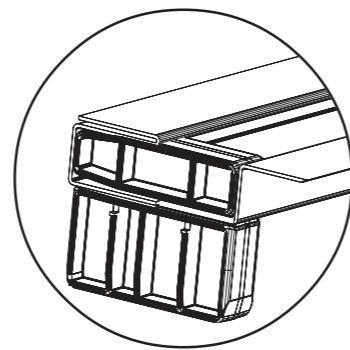
Step 2A | Head Installation



Head joiners as inserted in jamb.



Locate head into joiner and make flush with jamb so the head joiner is not seen.



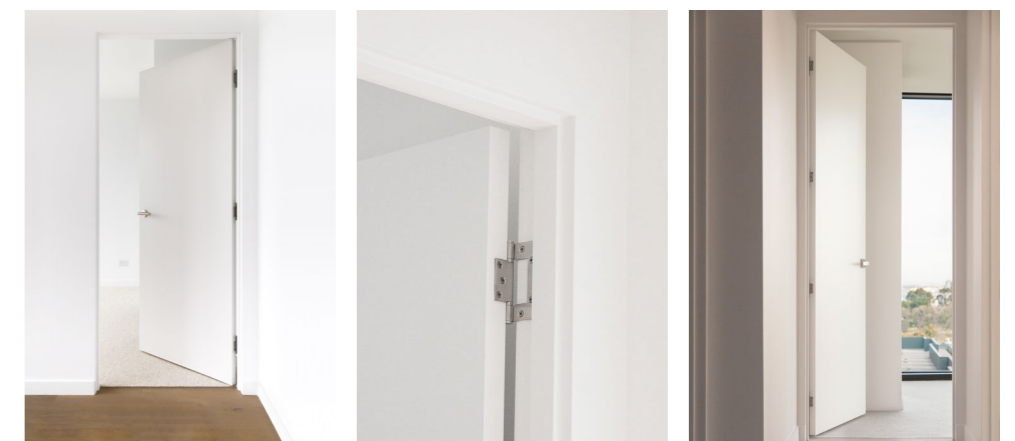
Remove the remaining head joiner out of the strike jamb into the end of the head (as shown) to receive the strike jamb.


Completed Installation

The completed jamb is flush finished and can be painted in with the whole wall area to fully conceal any fixing, achieving simple clean lines around the door face.

For further information or assistance in installation of EzyJamb products, please visit:

www.ezconcept.com.au/installation





Contact the team for pricing & samples

hello@mbsarchitectural.com.au | 03 9580 7800

MBS
Architectural

Every material. One source.

Reach out to our team for support, samples and advice.

03 9580 7800

hello@mbsarchitectural.com.au

VIC | 7 Haymer Court, Braeside 3195

QLD | 13 Pease Court, Bethania 4205

[@MBSarchitectural](#)