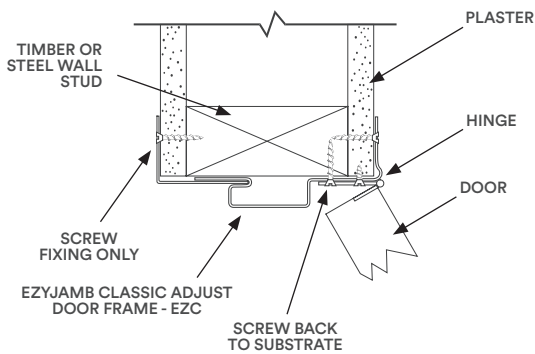
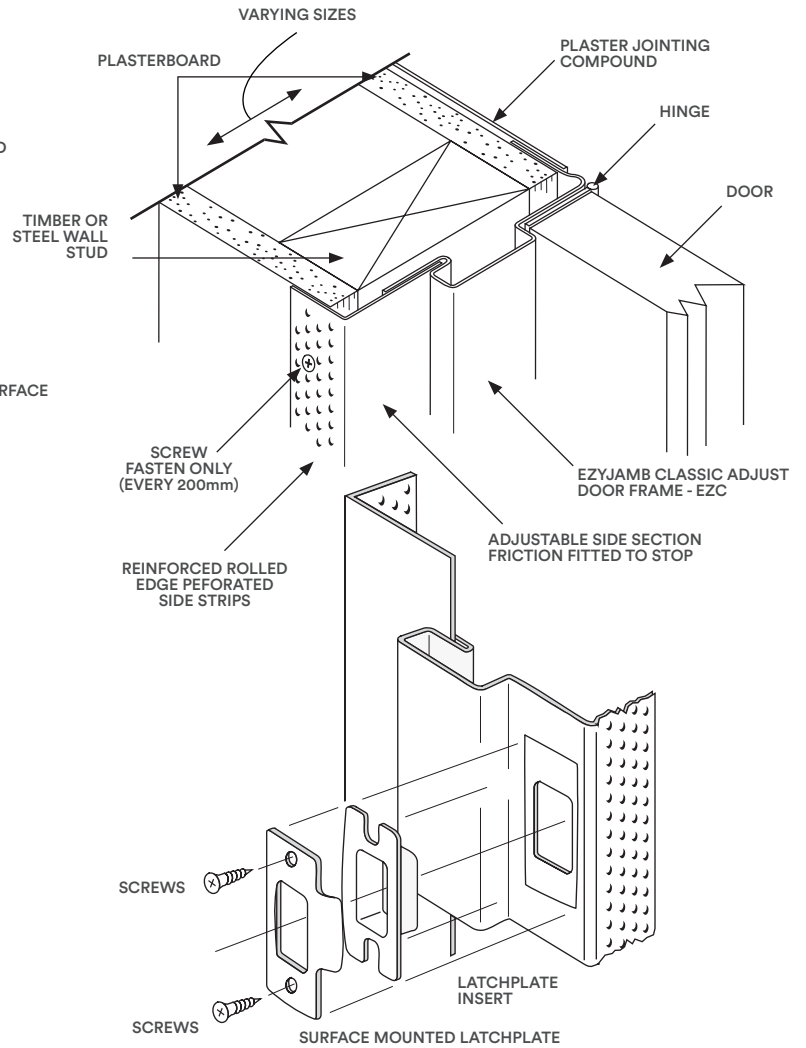
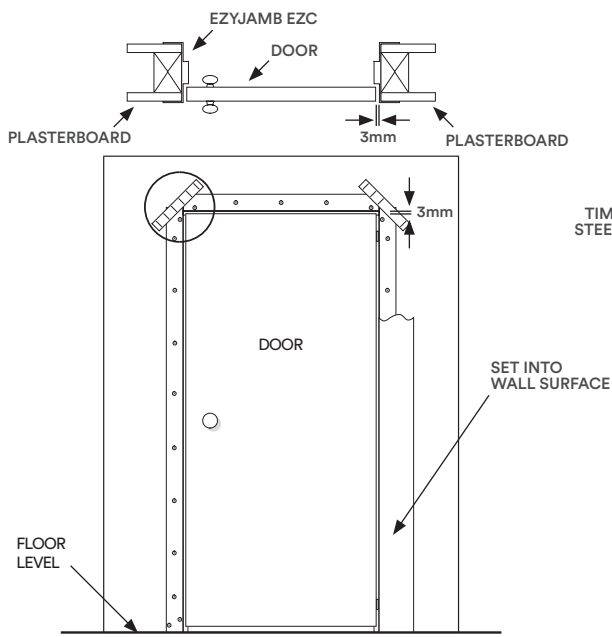
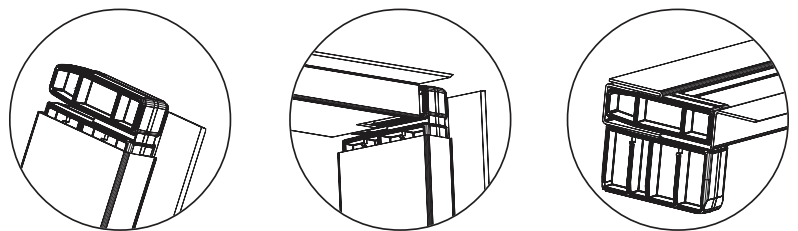


Product Datasheet



RY-60 is available in Satin Chrome or Black



Specification Details

EzyJamb Ezc Classic Adjust 0.8mm Gauge Trimless Door Frame

Dimension A	Standard strike plate height from base of jamb to centreline For 2040mm door, 1020mm For 2400mm , door, 1020mm	*Custom Heights Available
-------------	--	---------------------------

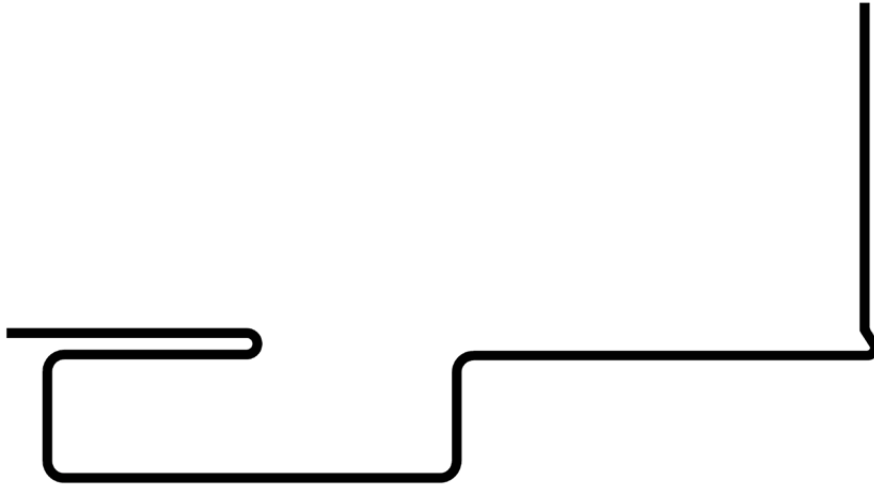
Specifications	0.8mm Gauge zinc annealed steel door frame adjustable for wall thicknesses up to 220mm
----------------	---


Hinge Options	Invisible Hinges	Surface Hinges
	RocYork RY-60	All Standard Hinges are surface applied - 100mm Stainless Steel (SS)

Information contained within this document supersedes all previous versions and is subject to change without notice.

www.ezconcept.com.au | For Sales and Technical Enquiries, please visit EZ Concept Australia | 1300 329 526 | sales@ezconcept.com.au

Product Datasheet





Contact the team for pricing & samples

hello@mbsarchitectural.com.au | 03 9580 7800

MBS
Architectural

Every material. One source.

Reach out to our team for support, samples and advice.

03 9580 7800

hello@mbsarchitectural.com.au

VIC | 7 Haymer Court, Braeside 3195

QLD | 13 Pease Court, Bethania 4205

[@MBSarchitectural](#)