

SRC Single Rebate Door Frame



Video Installation Guide

Step 1

Ensure that the stud opening is square and level and measures:

Stud opening sizes for Herline /Liftoff Hinges/Mortice Hinges (mm)

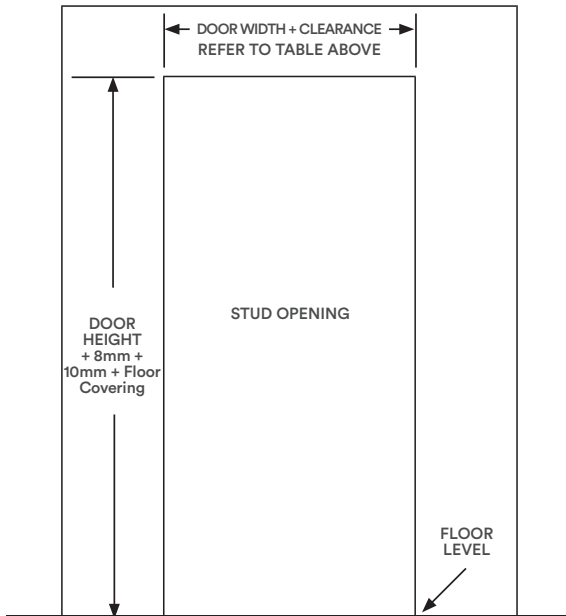
Width Single Door	Door Width + 25mm Clearance
Width Double Door	Double Door Width + 28mm Clearance
Full Height	Door Height + 13mm + Floor Covering
Less than Full Height	Door Height + 8mm + 10mm + Floor Covering

Stud opening sizes for RY-60 Concealed Hinges*

Width Single Door	Door Width + 40mm Clearance (includes 25mm packer on hinge side)
Width Double Door	Double Door Width + 63mm Clearance (includes packers on both hinge studs)
Full Height	Door Height + 13mm + Floor Covering
Less than Full Height	Door Height + 8mm + 10mm + Floor Covering

*RY60 Stud Opening Detail: Prepare a 25mm thick packer fixed to hinge side of jamb stud. Route packer to create clearance cutouts at hinge locations. Packer avoids cutting into the structural stud and maintains frame strength. Refer to the RocYork RY60 Installation Instructions document.

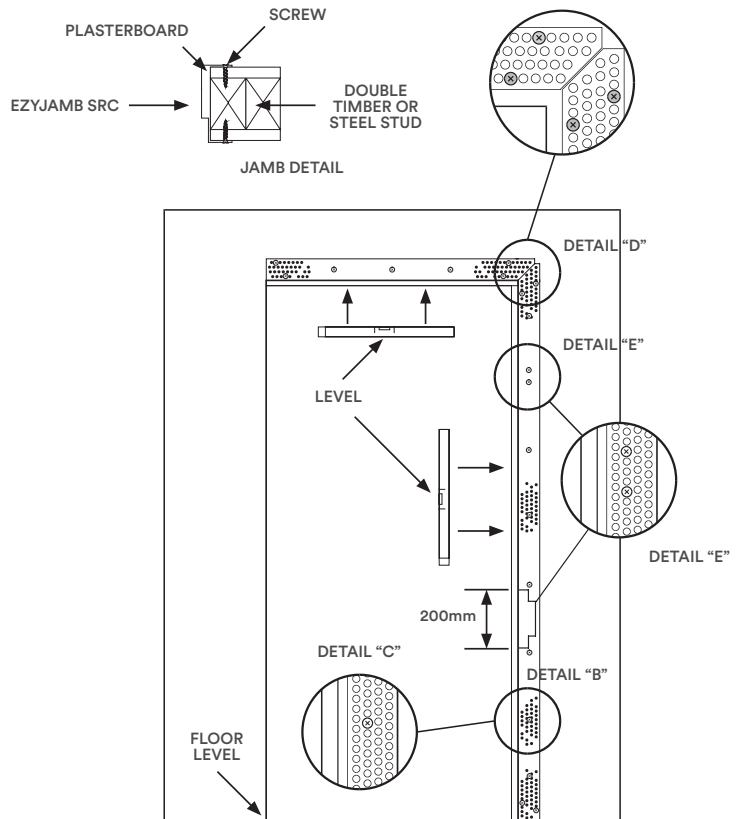
i It is strongly recommended that a timber stud or a 0.75 BMT metal stud is used on both sides of the opening.



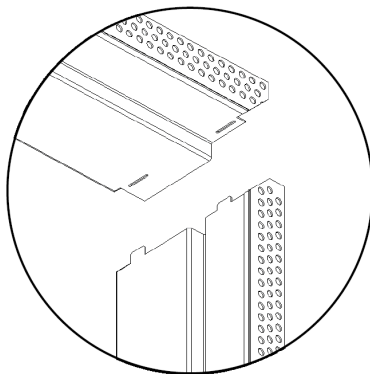
Step 2

Install head jamb first, then use locator tabs to install stiles. Fasten hinge side, making sure jamb is level. Then screw at 200mm centers up stile, screwing back through plasterboard into stud work. See Detail 'B' and 'C'.

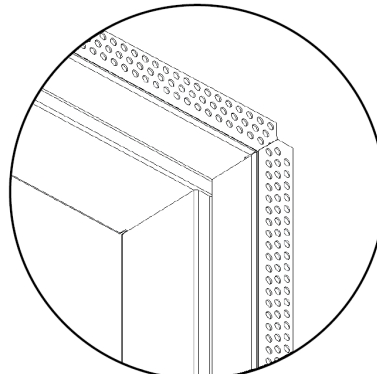
Double screw all ends as shown in Detail 'D' and beside hinge position - both above and below hinge as shown on Detail 'E'.



Step 2A | Head Installation



Locate fixing tabs to header.



Corner Detail Completed

Information contained within this document supersedes all previous versions and is subject to change without notice.

www.ezconcept.com.au For Sales and Technical Enquiries, please visit EZ Concept Australia | 1300 399 526 | sales@ezconcept.com.au

