

EzyJamb | Installation Instructions

ISD Inswing Door Frame



Video Installation
Guide

Step 1

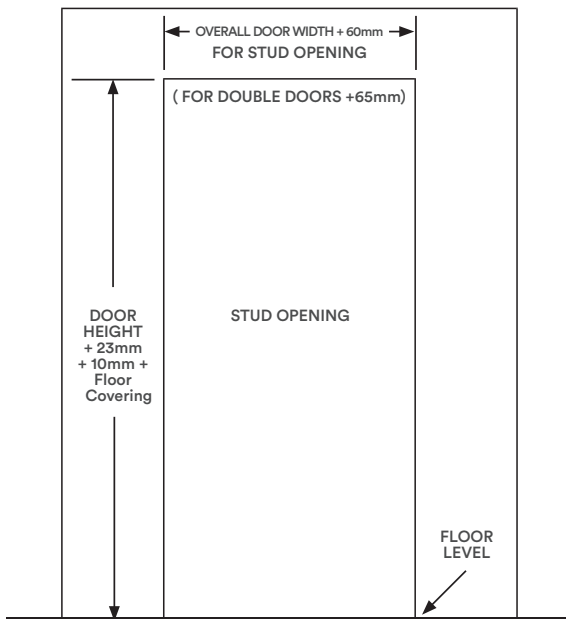
Ensure that the stud opening is square and level and measures:

Stud opening sizes for RY60 Concealed / Mortice Hinges (mm)

RY60 Single Door Width	Door Width + 60mm Clearance
RY60 Double Door Width	Double Door Width + 65mm Clearance
Mortice Single Door Width	Door Width + 45mm Clearance
Mortice Double Door Width	Double Door Width + 50mm Clearance
Full Height	Door Height + 13mm + Floor Covering
Less than Full Height	Door Height + 23mm + 10mm + Floor Covering

**RY60 Stud Opening Detail: Prepare a 25mm thick packer fixed to hinge side of jamb stud. Route packer to create clearance cutouts at hinge locations. Packer avoids cutting into the structural stud and maintains frame strength. Refer to the RocYork RY60 Installation Instructions document.*

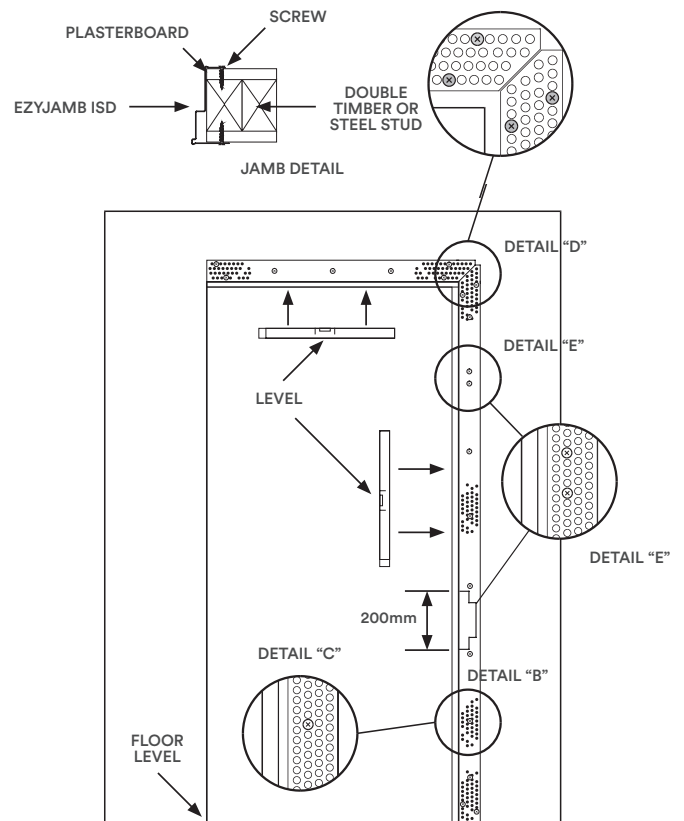
i It is strongly recommended that a timber stud or a 0.75 BMT metal stud is used on both sides of the opening.



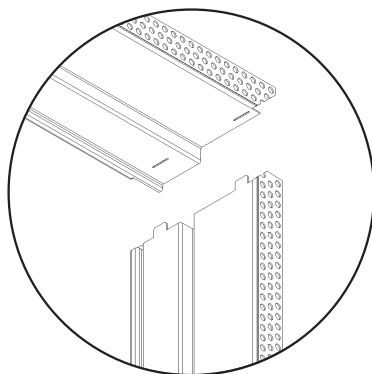
Step 2

Install the head piece, then use locator tabs to install stiles. Fasten hinge side, making sure jamb is level. Then screw at 200mm centers up stile, screwing back through plasterboard into stud work. See *Detail 'B'* and *'C'*.

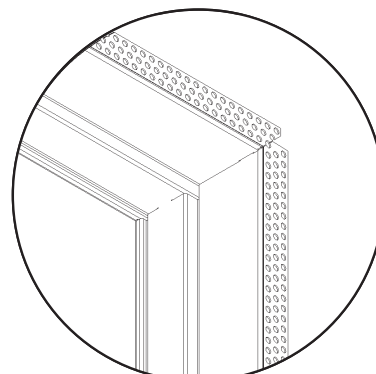
Double screw all ends as shown at *Detail 'D'* and beside hinge position - both above and below hinge as shown at *Detail 'E'*.



Step 2A | Head Installation



Locate fixing tabs to header.



Corner Detail Completed

Information contained within this document supersedes all previous versions and is subject to change without notice.

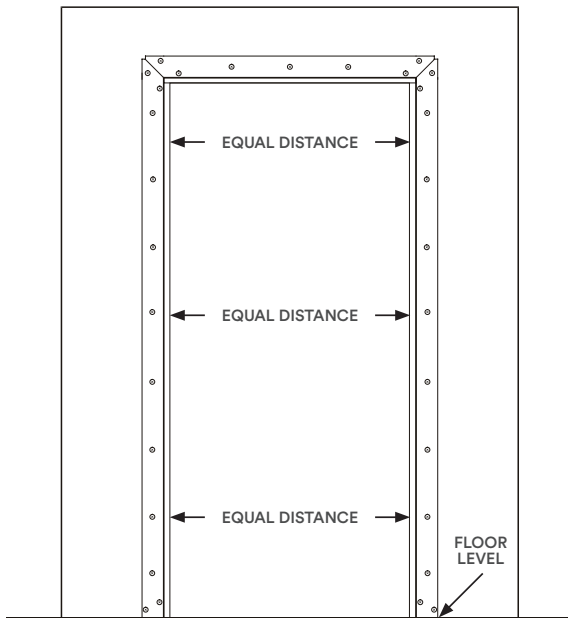
www.ezconcept.com.au For Sales and Technical Enquiries, please visit EZ Concept Australia | 1300 399 526 | sales@ezconcept.com.au

EZCONCEPT

ISD Inswing Door Frame

Step 3

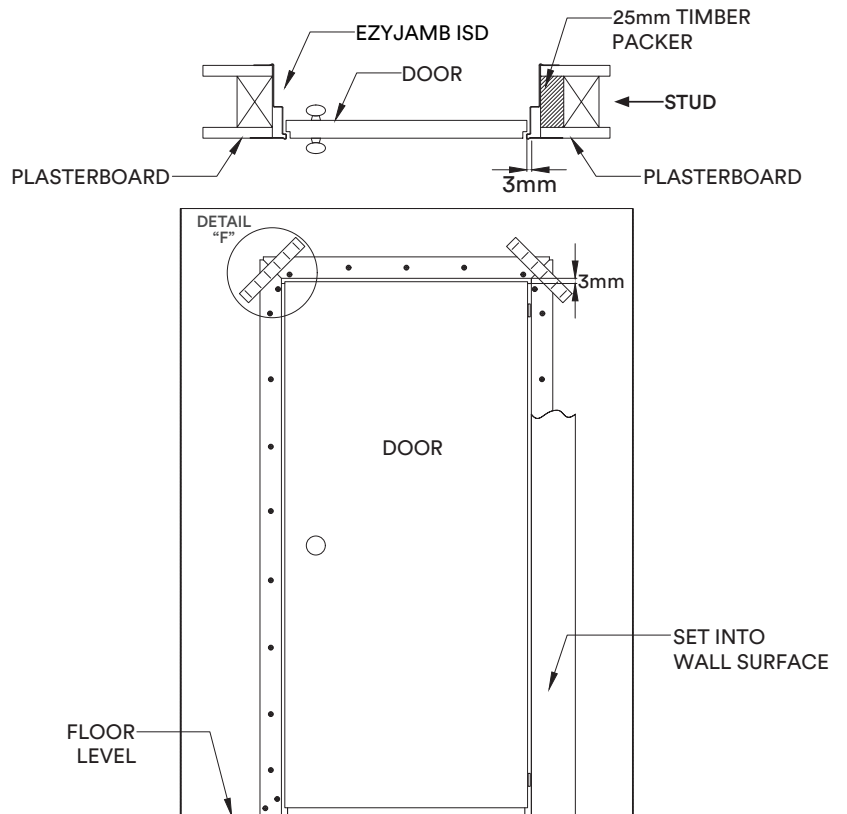
Ensure that the two vertical sections are spaced evenly at the required distance.



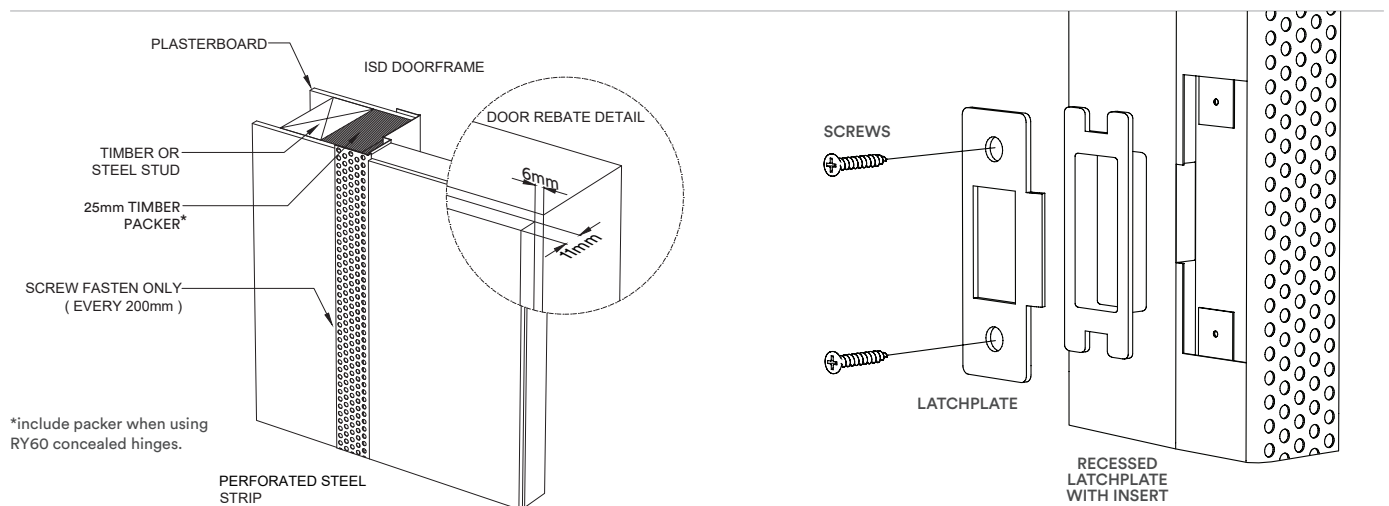
Step 4

Ensure the perforated side strips sit flat against the plasterboard to enable the jamb sections to be easily set into the wall surface. *All the corners must be taped and plastered/jointed in as shown at Detail 'F'.* Finish the jamb with approved plaster/jointing compound.

Hang the door in position leaving about 3mm clearance from the top and the hinged side using the EzyJamb Standard or Concealed Hinges. Surface mount the striker plate into position to align with the latch plate punching.



Door Rebate and Latch Plate Detail



Information contained within this document supersedes all previous versions and is subject to change without notice.