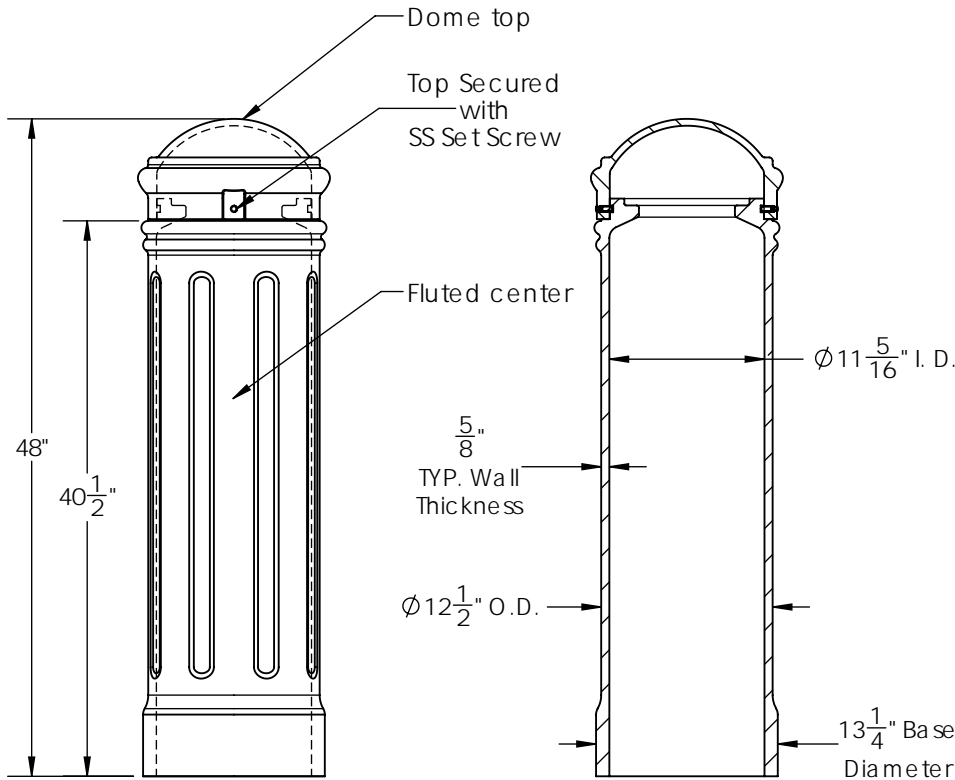


TOP VIEW
Cast Iron Sleeve



**OPTIONAL EYE BOLT
AND CHAIN**

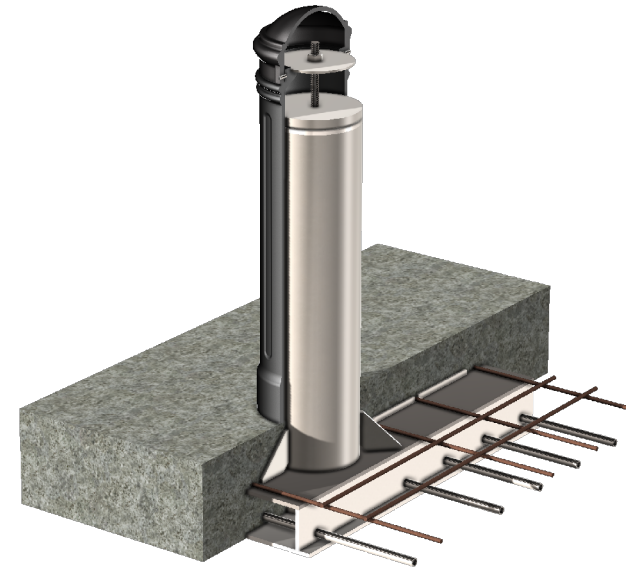


SIDE VIEW

SECTION



**CAST IRON
BOLLARD SLEEVE**



INSTALLED BOLLARD SLEEVE
K8M40 Shallow Mounting Shown

Product ID: GC-1M40-DIDS

Cast Iron Sleeve Weight: 333 lbs

Material: ASTM A48 Class 30 Cast Iron

Installation Options: K8M40-Shallow Mount

See installation drawings for complete details. Parts list and component weights.

Finish: Powder Coated

AIS & BABAA Compliant

Designed, Engineered, Manufactured in the USA

Product Origin: all steel and cast iron materials are of domestic origin and 100% manufactured in the USA



GUARDCAST

A DIVISION OF JR HOE