

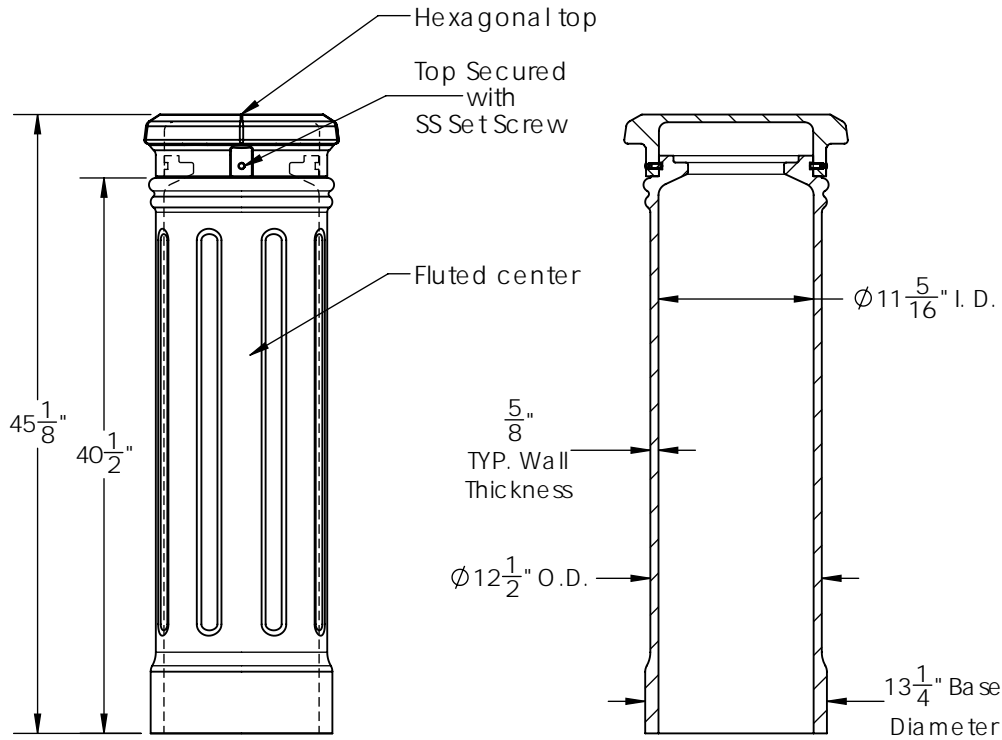
**TOP VIEW**  
Cast Iron Sleeve



**OPTIONAL CUSTOM INSERT**



**OPTIONAL EYE BOLT AND CHAIN**

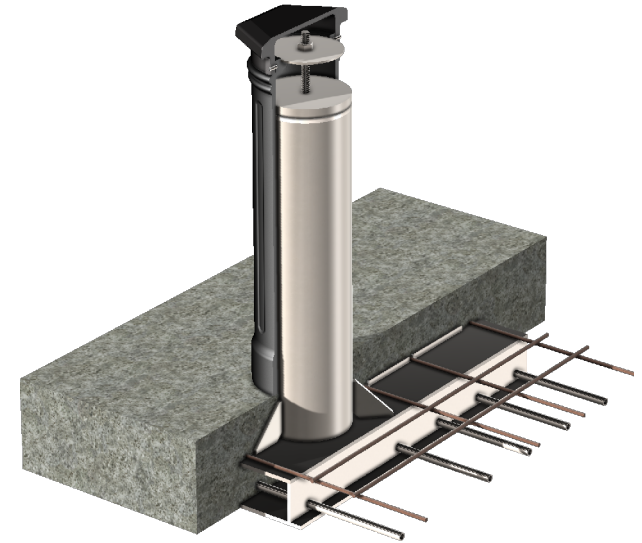


**SIDE VIEW**

**SECTION**



**CAST IRON BOLLARD SLEEVE**



**INSTALLED BOLLARD SLEEVE**  
K8M40 Shallow Mounting Shown

**Product ID: GC-2M40-DIHS**

Cast Iron Sleeve Weight: 343 lbs.

Material: ASTM A48 Class 30 Cast Iron

Installation Options: K8M40-Shallow & Deep Mount  
See installation drawings for complete details. Parts list and component weights.

Finish: Powder Coated

AIS & BABAA Compliant

Designed, Engineered, Manufactured in the USA  
Product Origin: all steel and cast iron materials are of domestic origin and 100% manufactured in the USA



**GUARDCAST**

A DIVISION OF JR HOE