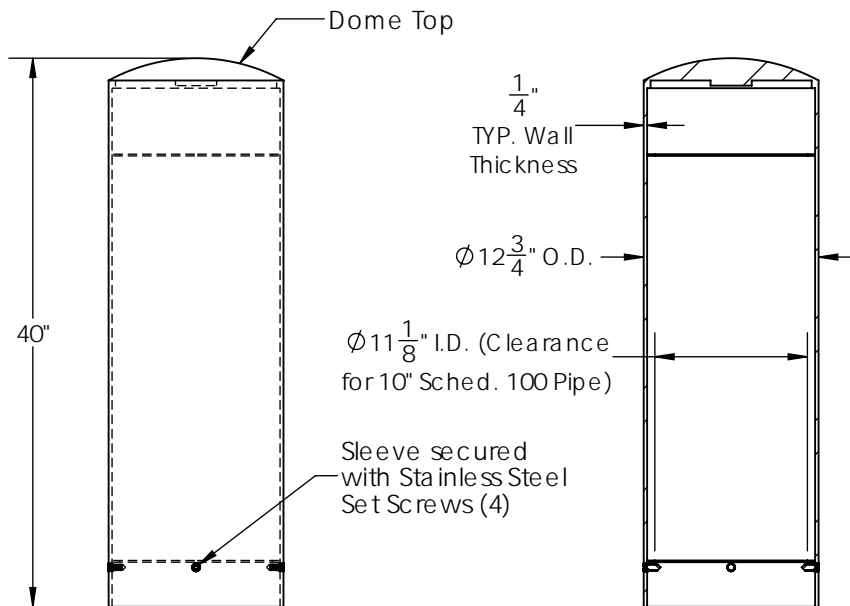


**TOP VIEW**

A-36 Mild Steel Sleeve

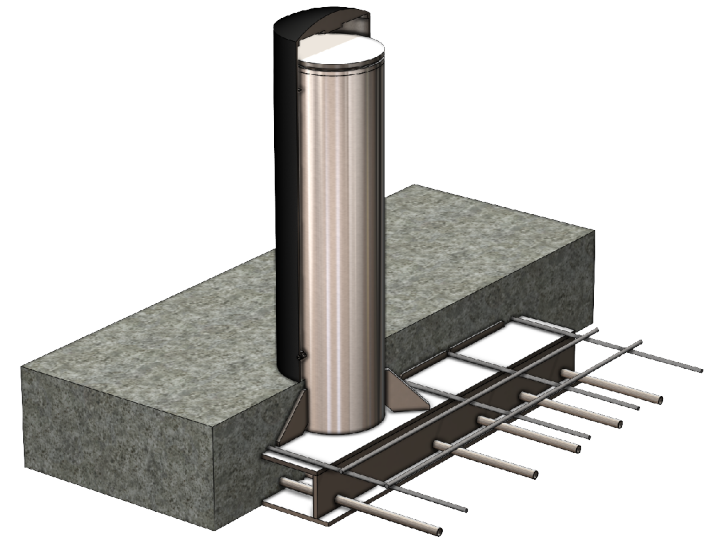


**SIDE VIEW**

**SECTION**



**POWDER COATED BOLLARD SLEEVE**



**INSTALLED BOLLARD SLEEVE**

K8M40 Shallow Mounting Shown

**Product ID: GC-1M40-MSDS**

Steel Sleeve Weight: 141 lbs

Material: ASTM A36 Mild Steel

Installation Options: K8M40-Shallow Mount

See installation drawings for complete details. Parts list and component weights.

Finish: Powder Coated

AIS & BABAA Compliant

Designed, Engineered, Manufactured in the USA

Product Origin: all steel and cast iron materials are of domestic origin and 100% manufactured in the USA



**GUARDCAST**

A DIVISION OF JR HOE