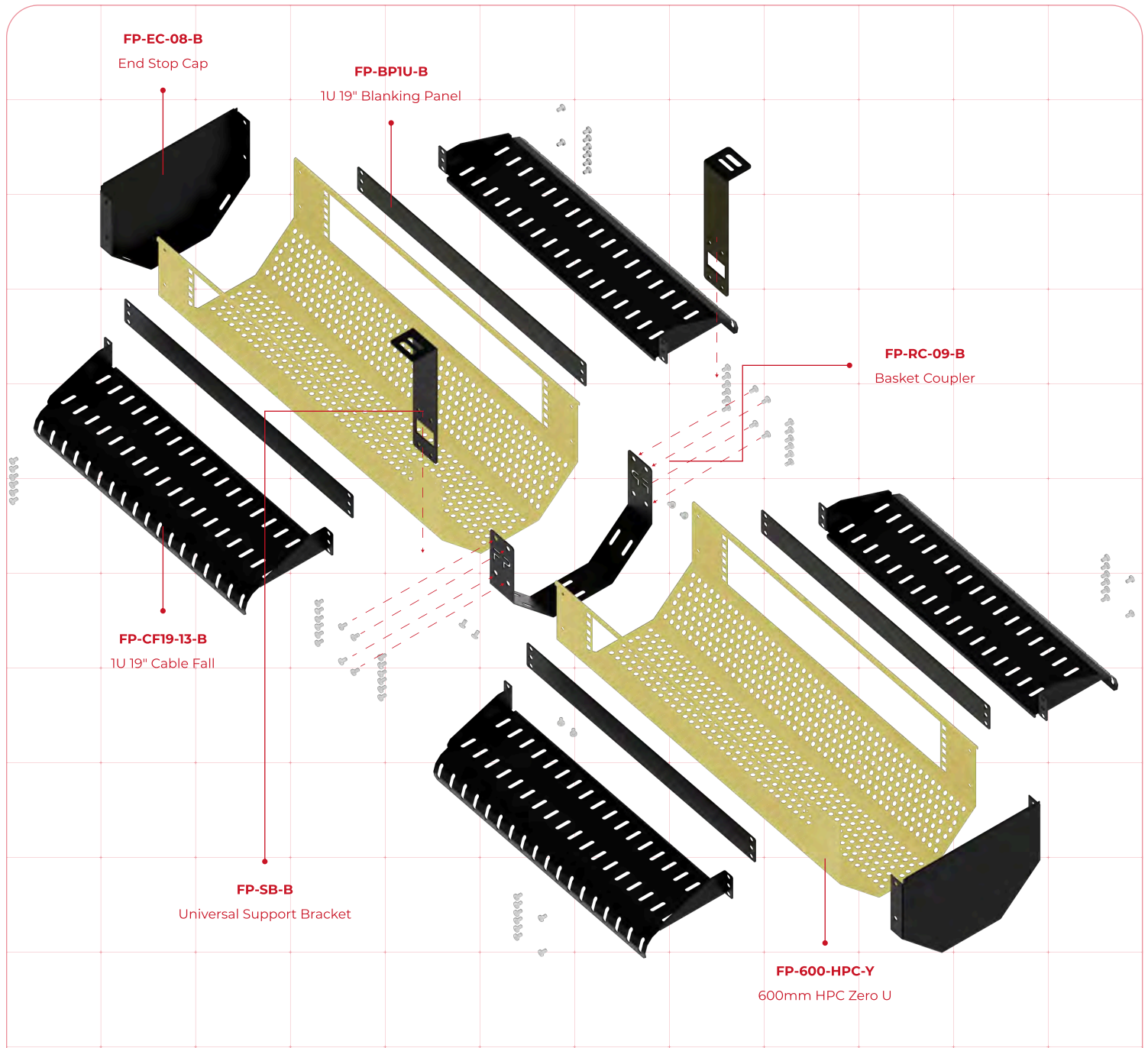


## Installation & Configuration Manual

# FibrePath™ Raceway System



A guide to the core assembly principles and component connection methods for the FibrePath™ range.

Version 1.0 | Issued April 2026

## Tools & PPE Required

Before beginning the installation, ensure the correct tools and personal protective equipment are available. Using the right equipment helps support a safe, efficient, and professional installation process.



**PH2**

### Screwdriver type PH2

A PH2 screwdriver is required for fixing and securing components during installation. Ensure the screwdriver is in good condition and correctly sized to avoid damaging screws or fittings.



### PPE Gloves

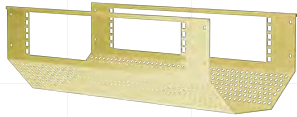
Installers must wear suitable PPE gloves to protect hands from sharp edges, handling marks, and general installation hazards.



### PPE Eyewear

Installers must wear suitable protective eyewear during installation to help protect against dust, debris, sharp edges, and any potential impact when cutting, fixing, or handling components.

# FibrePath™ Raceway System Overview



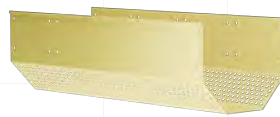
**FP-600-HPC-Y**

FibrePath 600mm HPC Zero U



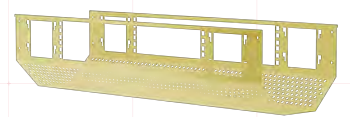
**FP-600-ZU-Y**

FibrePath 600mm Zero U



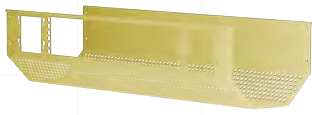
**FP-600-EXT-Y**

FibrePath 600mm Extension



**FP-800-HPC-Y**

FibrePath 800mm HPC Zero U



**FP-800-ZU-Y**

FibrePath 800mm Zero U



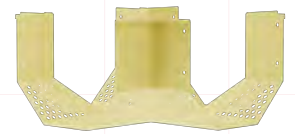
**FP-800-EXT-Y**

FibrePath 800mm Extension



**FP-TEE-Y**

FibrePath Tee



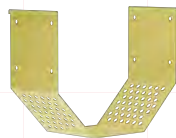
**FP-FOURWAY-Y**

FibrePath Fourway



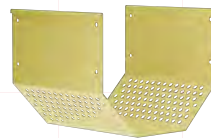
**FP-FB90-Y**

FibrePath 90° Flat Bend



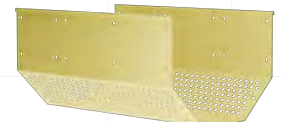
**FP-100-EXT-Y**

FibrePath 100mm Extension



**FP-200-EXT-Y**

FibrePath 200mm Extension



**FP-400-EXT-Y**

FibrePath 400mm Extension



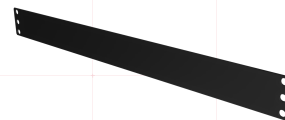
**FP-2000-EXT-Y**

FibrePath 2000mm Extension



**FP-SB-B**

FibrePath Universal Support Bracket



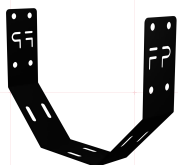
**FP-BPIU-B**

FibrePath 1U 19" Blanking Panel



**FP-CMA-150-B**

FibrePath Cable Management Arm



**FP-CP50-B**

FibrePath 50mm Coupler



**FP-CP100-B**

FibrePath 100mm Coupler



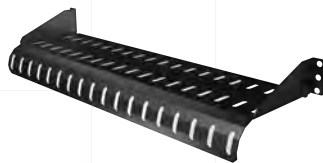
**FP-RBP-B**

FibrePath Small 80mm Blanking Panel



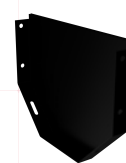
**FP-RCF-B**

FibrePath Small 80mm Cable Fall



**FP-CFIU-B**

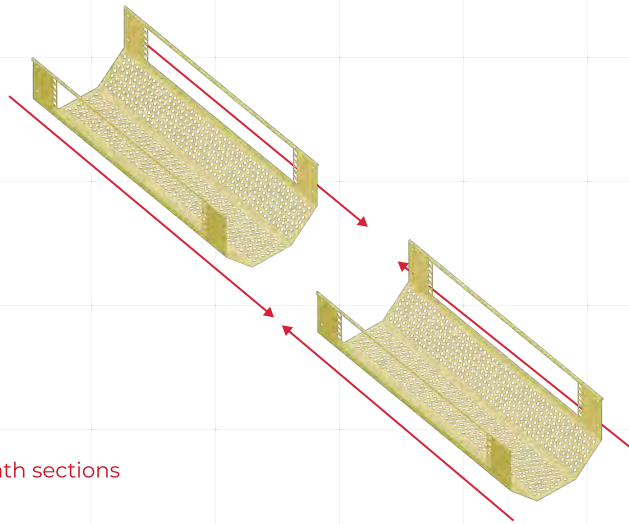
FibrePath 1U 19" Wide Cable Fall



**FP-SE-B**

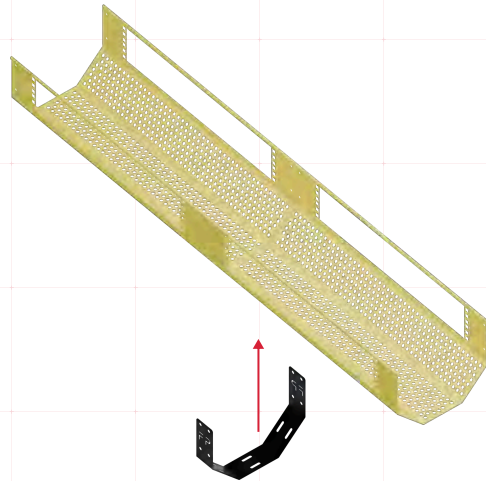
FibrePath End Stop Cap

1



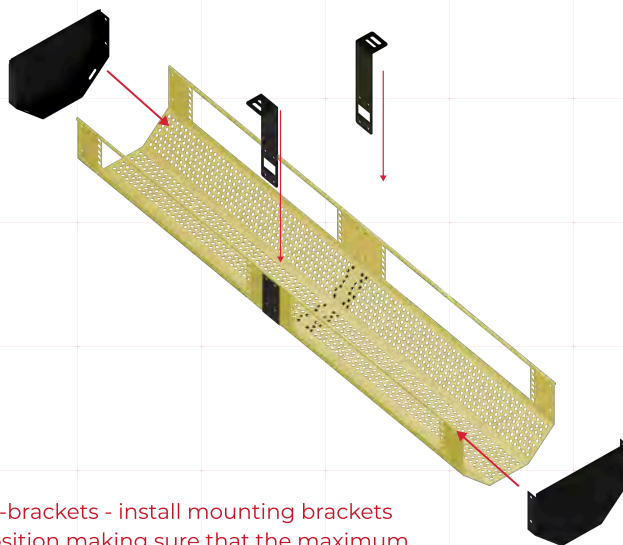
Align the FibrePath sections

2



Affix joining coupler

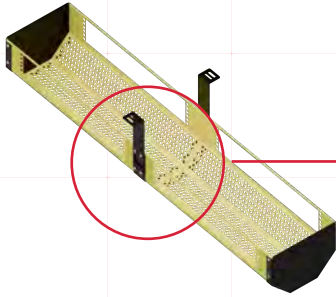
3



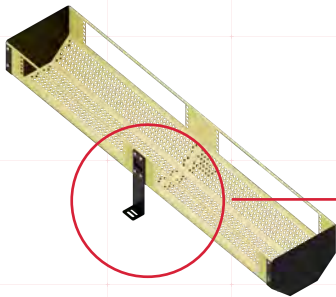
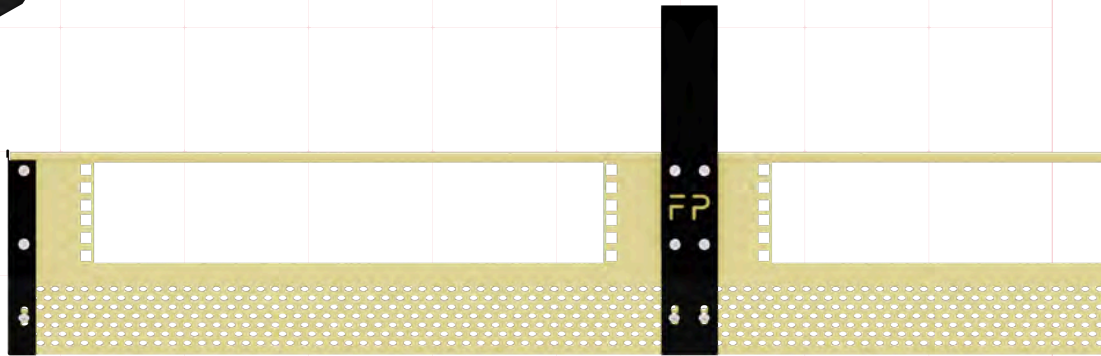
Install mounting L-brackets - install mounting brackets at each coupler position making sure that the maximum span between mounting brackets is no greater than 1M.

4

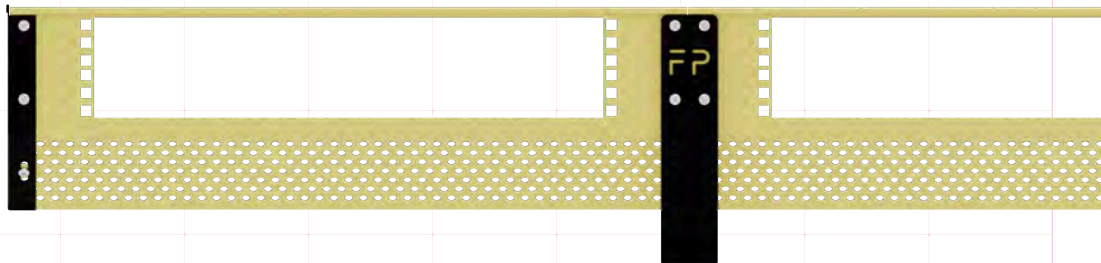
Install FibrePath in position



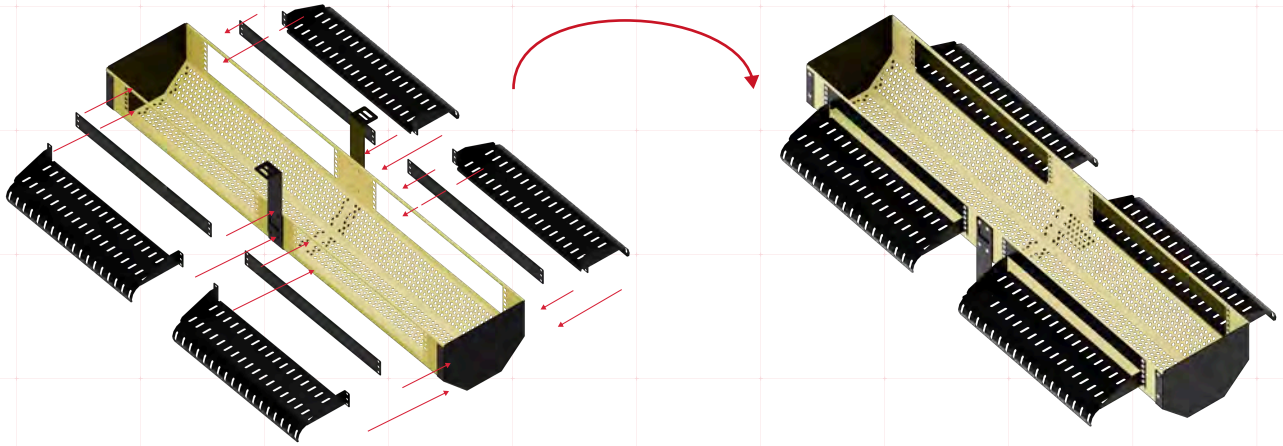
**Ceiling hung from support structure**  
Bracket facing up and connected directly to support structure



**On Cabinet Installation**  
Legs facing down and sitting directly on top of cabinets

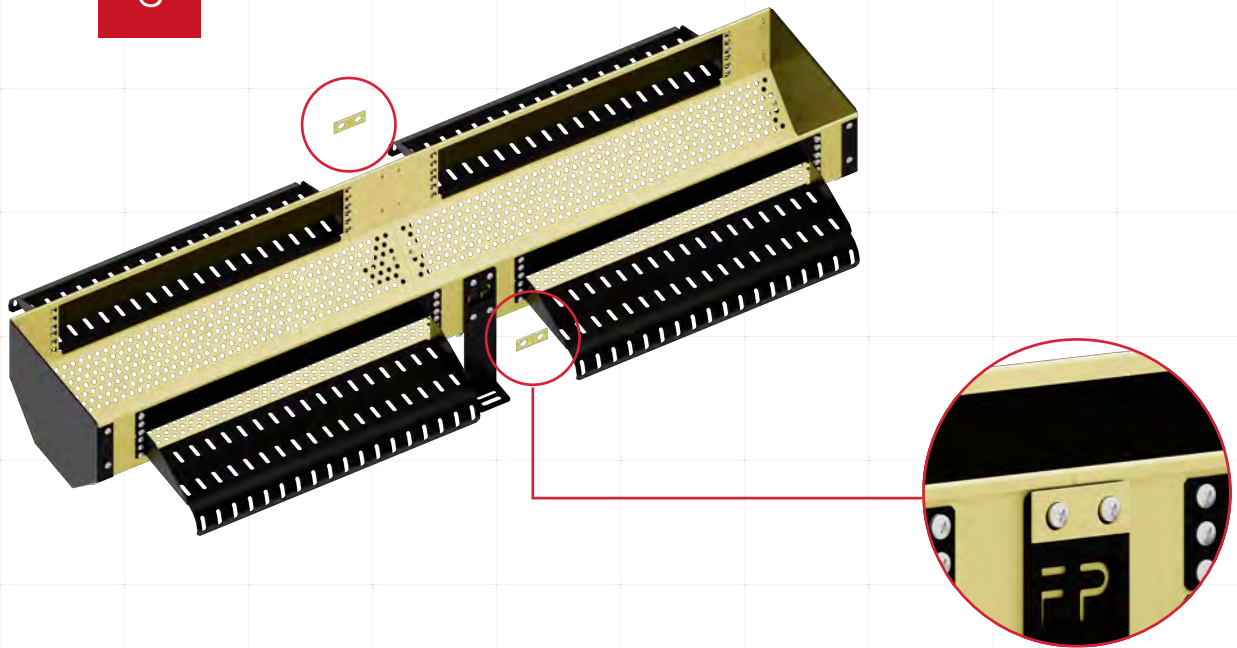


5



Select and install cable management accessories required with the screws supplied.

6

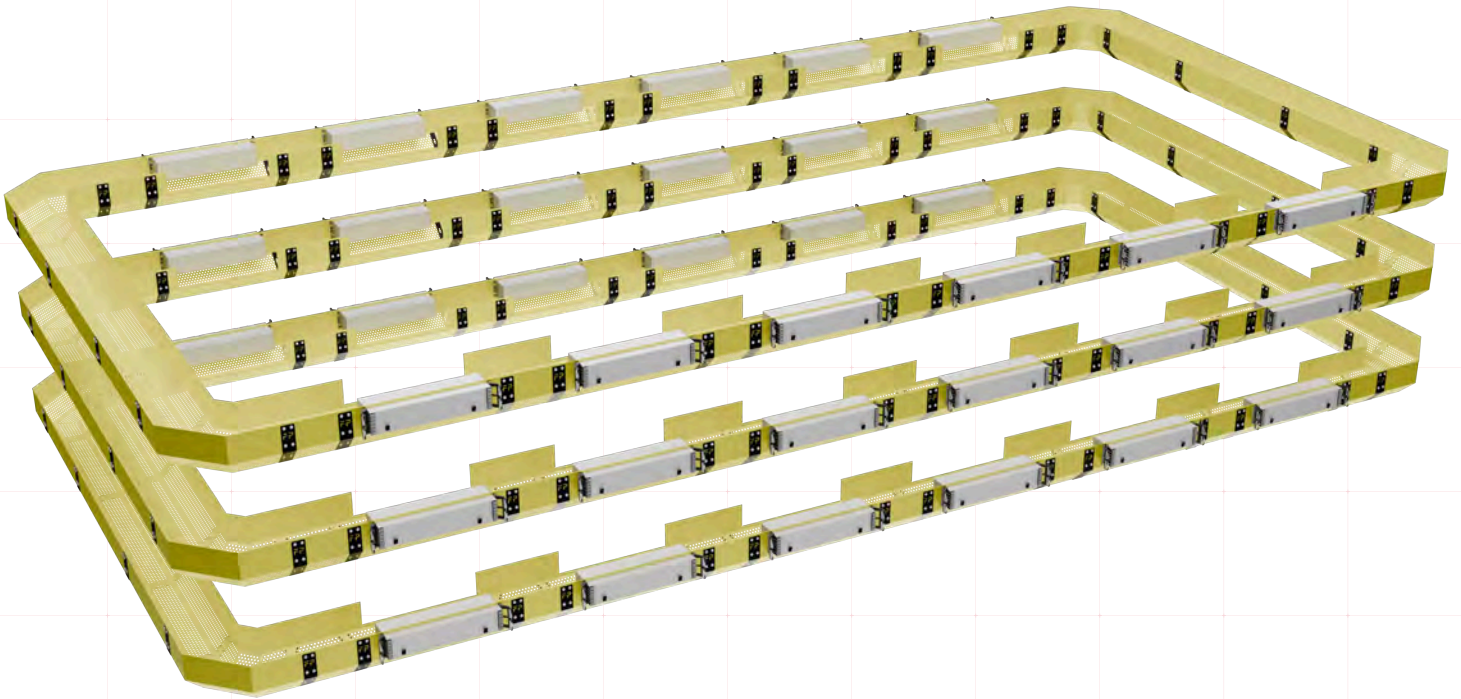


Install earthing links - If you require earthing continuity through the FibrePath system you will need to fit earth braids or bars on one fixing per coupler using serrated washers.

7

Example of the finished installation

i.e. The 'Orbit' – Ring Above the Pod  
(Inter-Rack Interconnect)



i.e. The 'Vector' – Direct Point- to-  
Point Routing

