



TITAN
PLUS



TITAN PLUS

Superior ergonomics are crucial if you want your players to enjoy roulette for extended periods.

Ensure their complete comfort with details such as a footrest cushion, spacious legroom, soft armrests and a 27" screen.

Discover these features on the luxurious Titan Plus Roulette, elevating the gaming experience to a whole new level.

- Fully customizable
- Modular and scalable configurations
- Wide range of accessories
- Superior ergonomics
- A double-sided 65" information display

FAZI FLAGSHIP LUXURY DESIGN
FEATURES A LARGE SCREEN AND THE
ADVANCED MEGA PAY FEATURE



TITAN PLUS 4 V1

Luxury design with reliable
hardware and software fusion.





TITAN PLUS 4 V2

Compact yet powerful,
perfect for any gaming space.

TITAN PLUS 5

Effortlessly integrates into luxurious settings.
Perfect against any wall for a seamless
gaming experience.





TITAN PLUS 6

Refined design with advanced features,
easily converts to any model.

TITAN PLUS 8

Our best-seller, blending luxury, comfort,
and cutting-edge technology.





TITAN PLUS 10

Ideal for spacious casinos, featuring a double-sided PID with 2 screens.



TITAN PLUS

Crafted for exclusivity with
high-end materials.



ROULETTE

GOLD JACKPOT

100.080,79 RSD

MIN BET NA BROJ 20,00 RSD

MEGA PAY X500

SILVER JACKPOT

30.040,39 RSD

MIN BET NA BROJ 10,00 RSD

MEGA PAY X500

HOT

21 **5** **13**
x27 x23 x23

COLD

32 **7** **16**
x14 x13 x10



MEGA PAY X75

HOT

29 **15** **32**
x60 x58 x58

COLD

34 **27** **0**
x38 x37 x33

19 x55 20 x100 30 x55 22 28 11 10 x75 14 36 7 x55 4 33 0 17 x55 8 34 9 3 25 33 12 15 12 x55 19 x55 21 x55 6 x75

MODULAR AND
SCALABLE
CONFIGURATION







For
attractive
payouts



MEGA PAY is a feature of the roulette game that gives players the option to choose from alternative, attractive payouts, offering the chance for larger winnings by hitting a designated fall number. Immediately after the "No more bets" announcement, potentially winning numbers with their coefficients are randomly selected and displayed on the roulette.



Multigame

Enables players to play the best Fazi slot games in addition to the acclaimed roulette, making this innovative solution a very attractive proposition for operators and players. Fazi slot games are linked to their own Mystery Jackpot which is fully configurable.

- Attractive Fazi and Novomatic slot games from the online environment
- Enables players to play multiple games at the same time
- Slot games are linked to the Mystery Jackpot



Lucky Number Jackpot

It's a two level jackpot connected to the roulette game. To win the jackpot, certain conditions need to be met. Jackpot hold is settable in accordance with the operator's needs. The goal is to increase average bets and to extend the play time at the roulette.

- Two level Jackpot connected to the roulette game.
- Increased average bets and playing time.



Choose between a Single Zero or Double Zero wheel
for an outstanding gaming experience.



Single Zero European Wheel



Double Zero American Wheel

Customization Options

Versatile customization options to seamlessly blend with any casino interior.

- Different color combinations

- LED color options



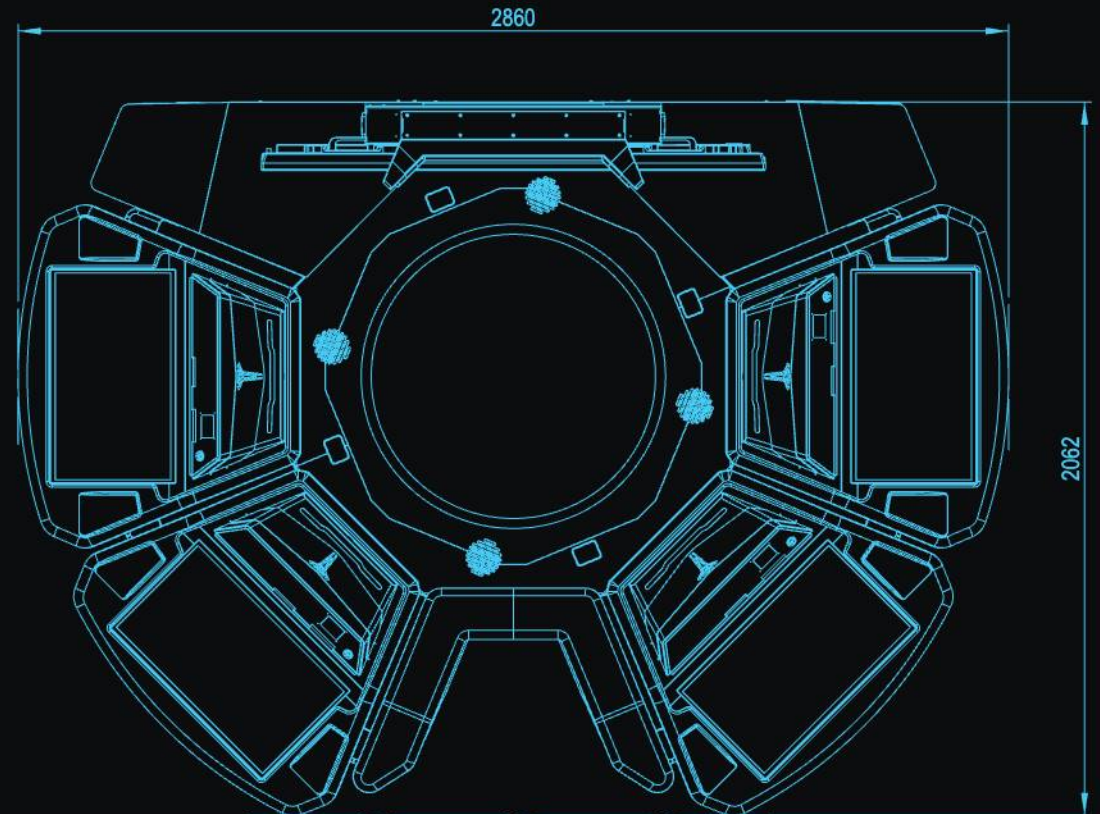
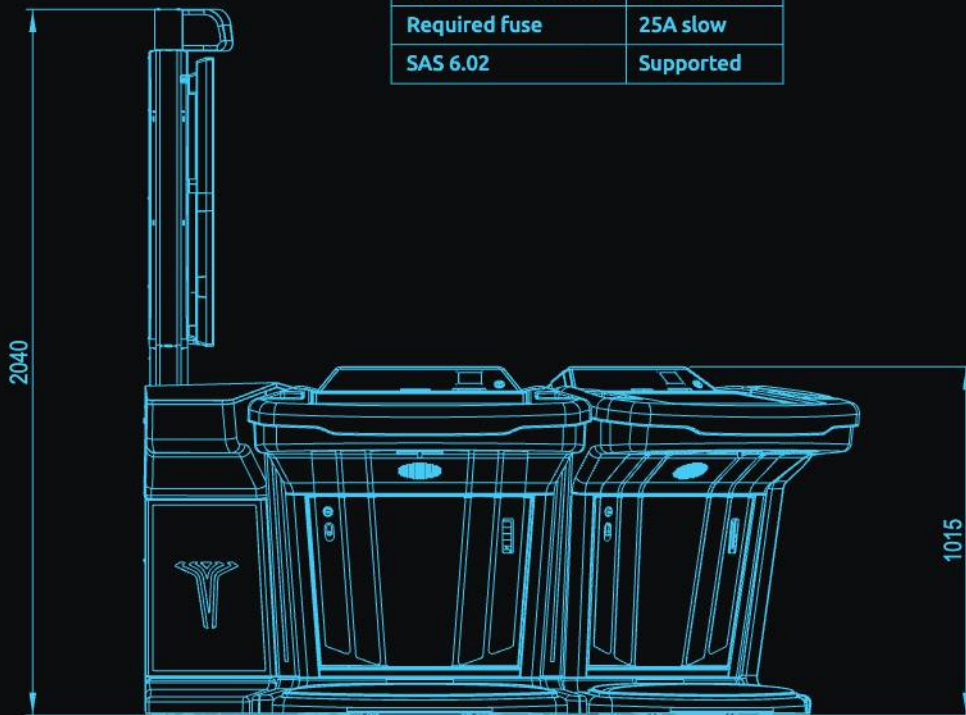
Polyurethane color selection



Different chrome options

TITAN PLUS 4 V1

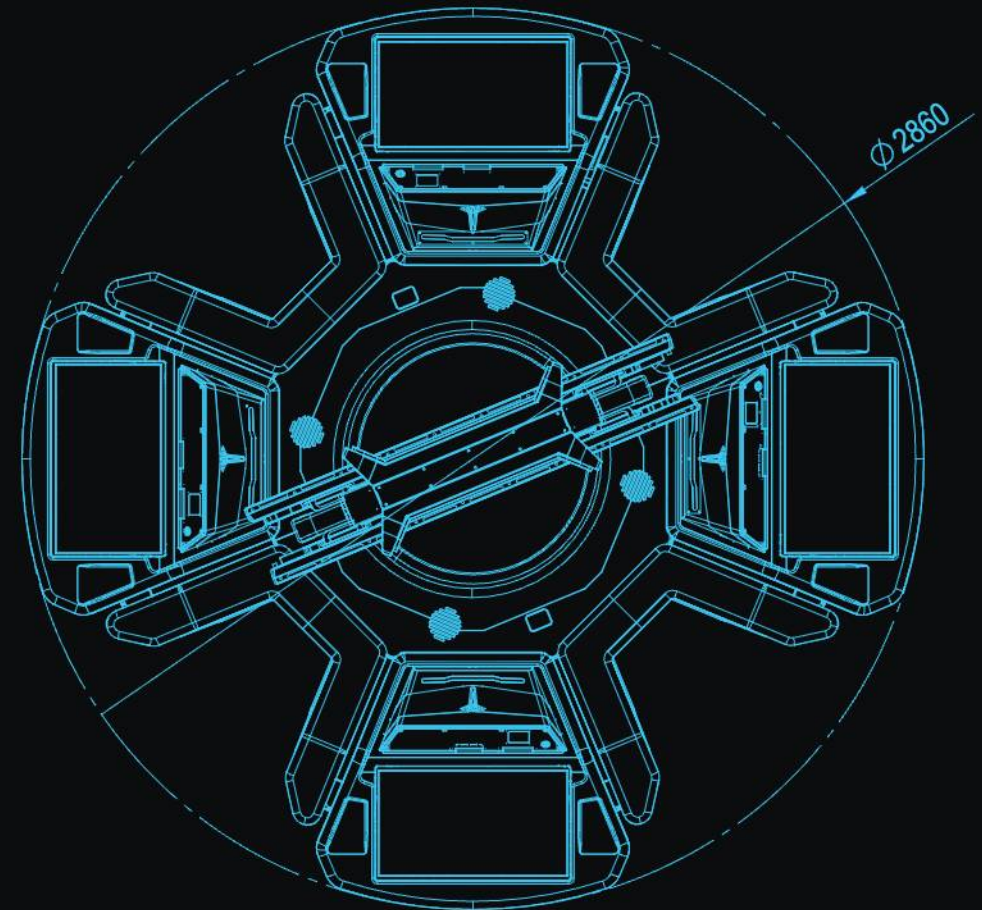
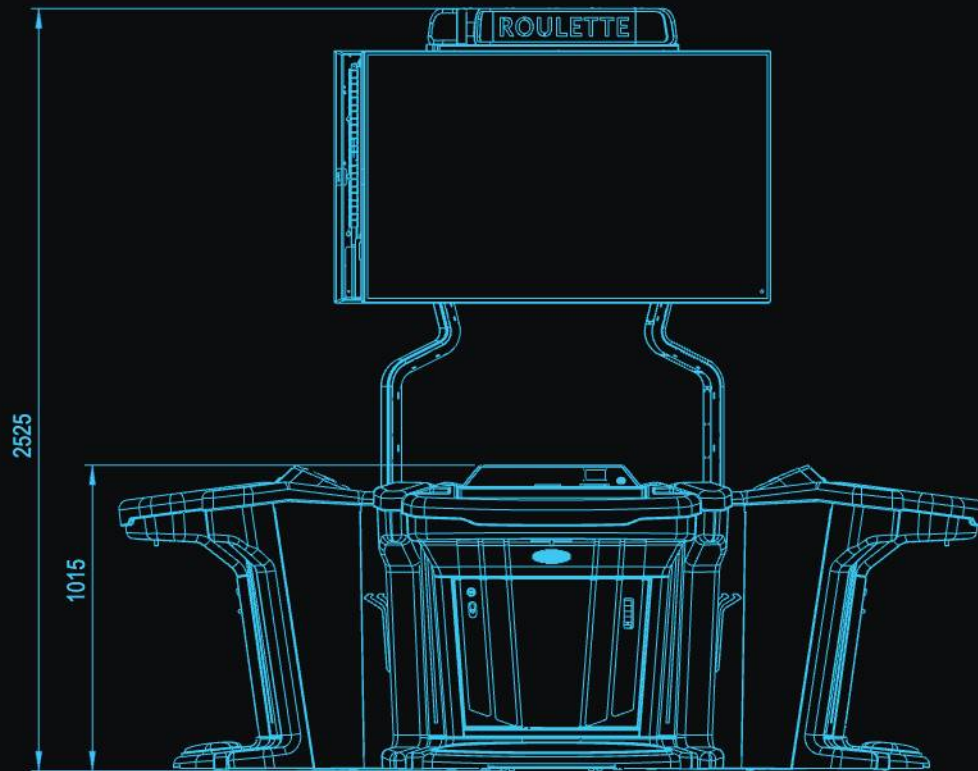
Weight (Basic unit)	min.115kg
LCD	27" wide
Touch system	Supported
Bill acceptor	Optional
Ticket printer	Optional
Coin acceptor	Optional
Coin hopper	Optional
Player tracking	Optional
USB charger	Supported
RFID	Supported
Voltage	230V / 50Hz
Voltage	115V / 60Hz
Power consumption	1200-2200W
Required fuse	25A slow
SAS 6.02	Supported



TITAN PLUS 4 V2

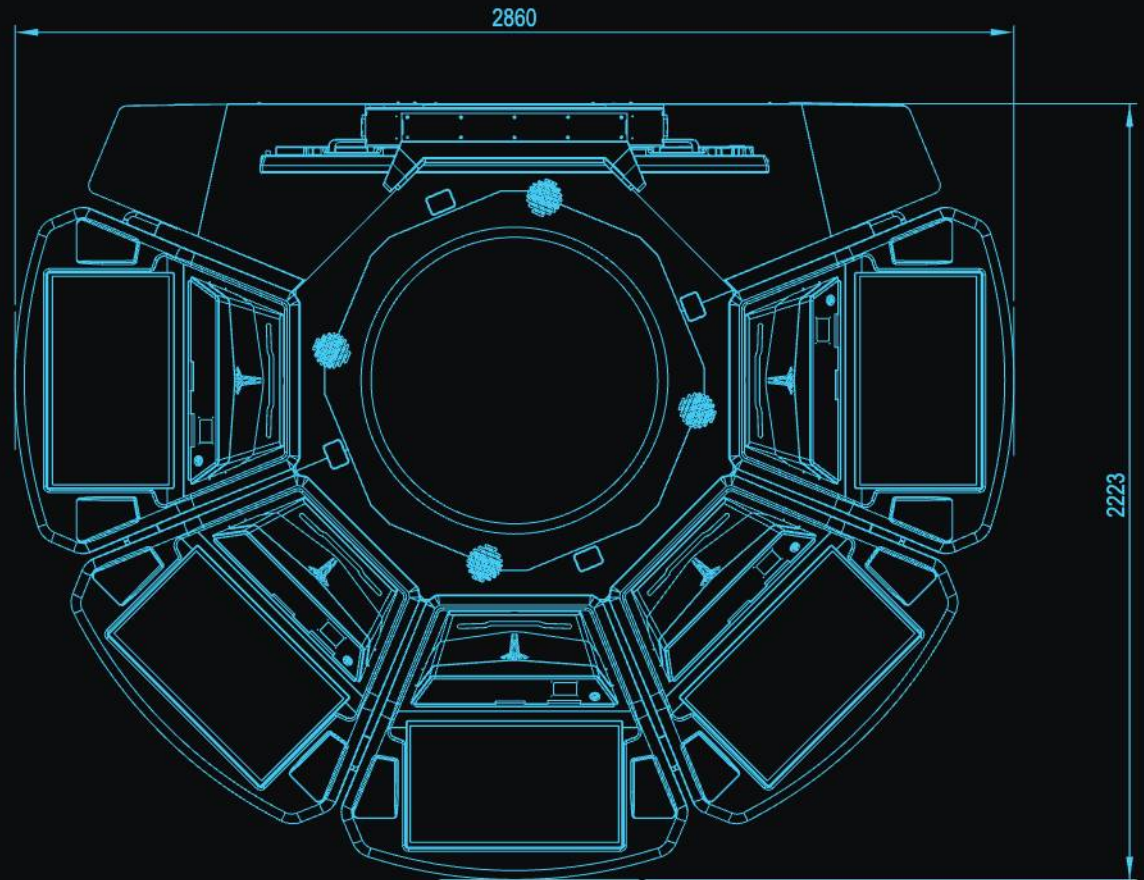
Weight (Basic unit)	min.115kg
LCD	27" wide
Touch system	Supported
Bill acceptor	Optional
Ticket printer	Optional
Coin acceptor	Optional
Coin hopper	Optional
Player tracking	Optional

USB charger	Supported
RFID	Supported
Voltage	230V / 50Hz
Voltage	115V / 60Hz
Power consumption	1200-2200W
Required fuse	25A slow
SAS 6.02	Supported



TITAN PLUS 5

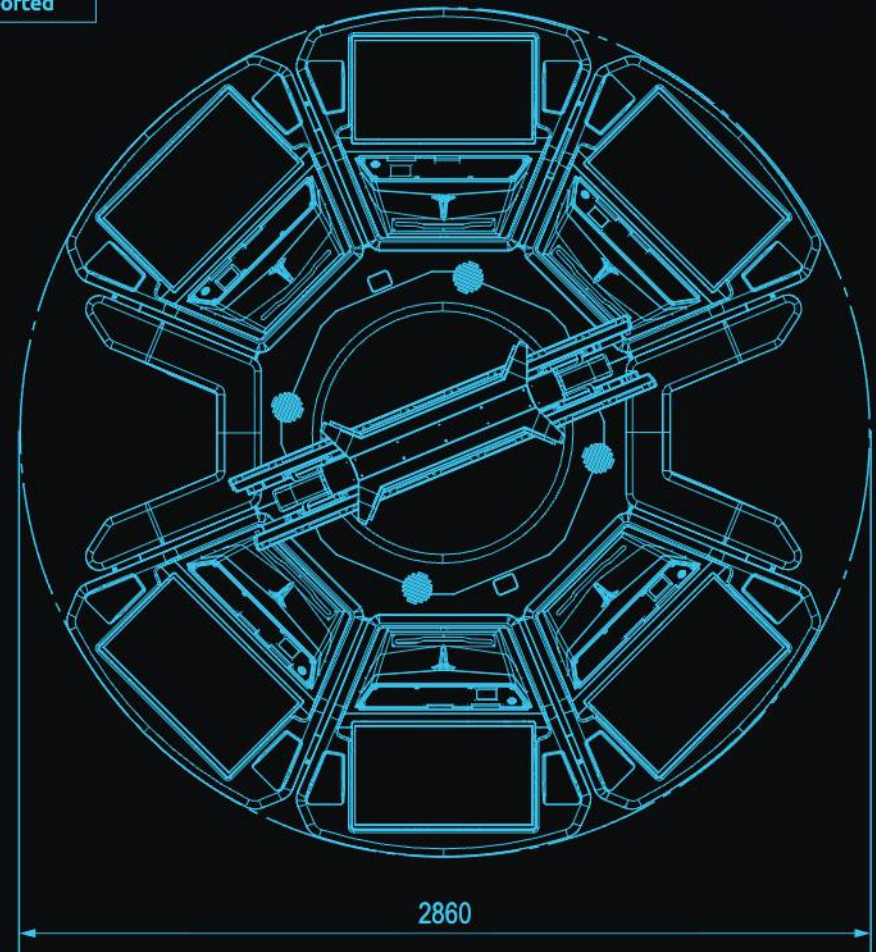
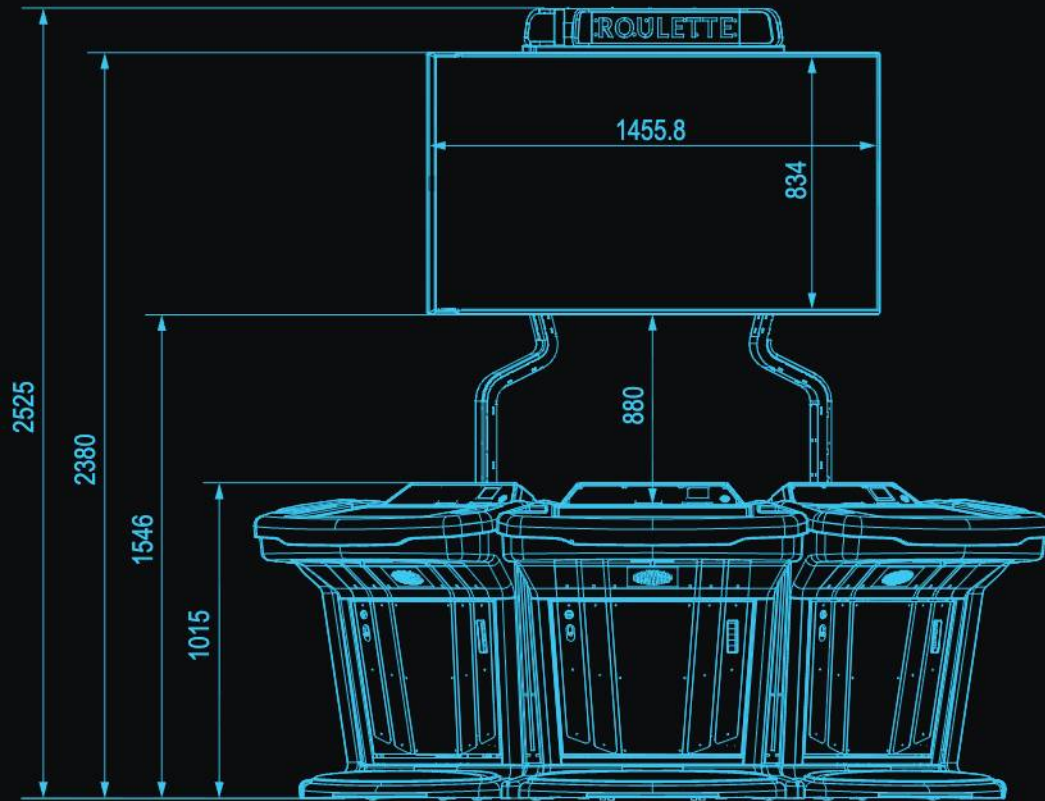
Weight (Basic unit)	min.115kg
LCD	27" wide
Touch system	Supported
Bill acceptor	Optional
Ticket printer	Optional
Coin acceptor	Optional
Coin hopper	Optional
Player tracking	Optional
USB charger	Supported
RFID	Supported
Voltage	230V / 50Hz
Voltage	115V / 60Hz
Power consumption	1200-2200W
Required fuse	25A slow
SAS 6.02	Supported



TITAN PLUS 6

Weight (Basic unit)	min.115kg
LCD	27" wide
Touch system	Supported
Bill acceptor	Optional
Ticket printer	Optional
Coin acceptor	Optional
Coin hopper	Optional
Player tracking	Optional

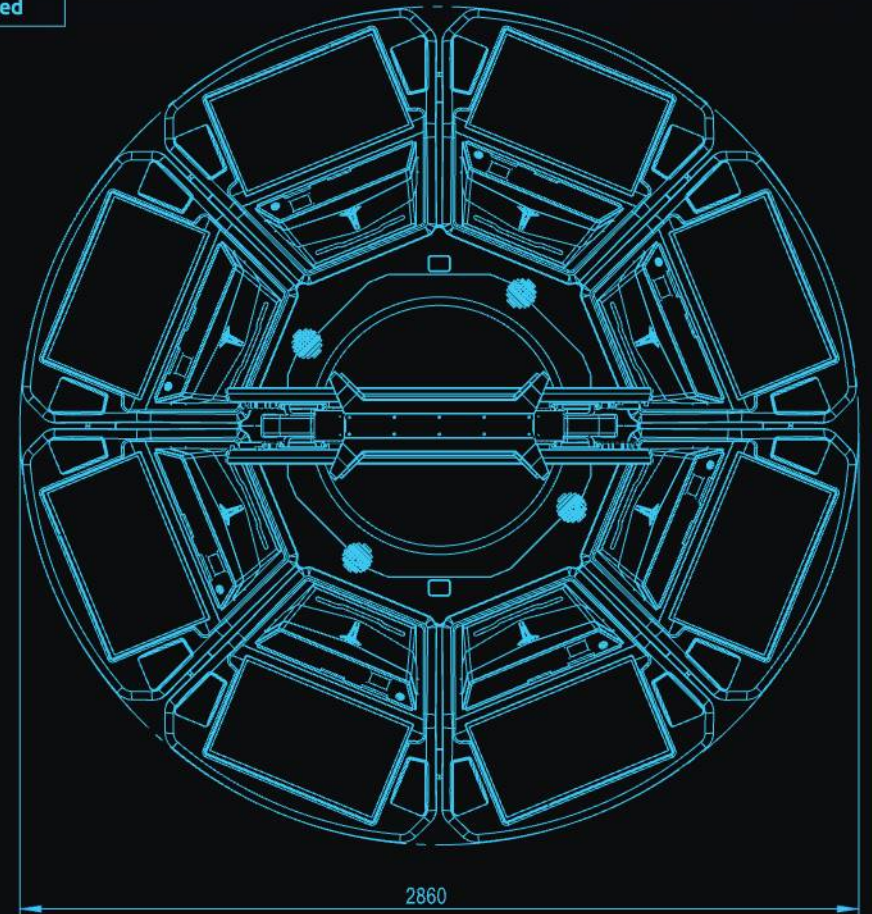
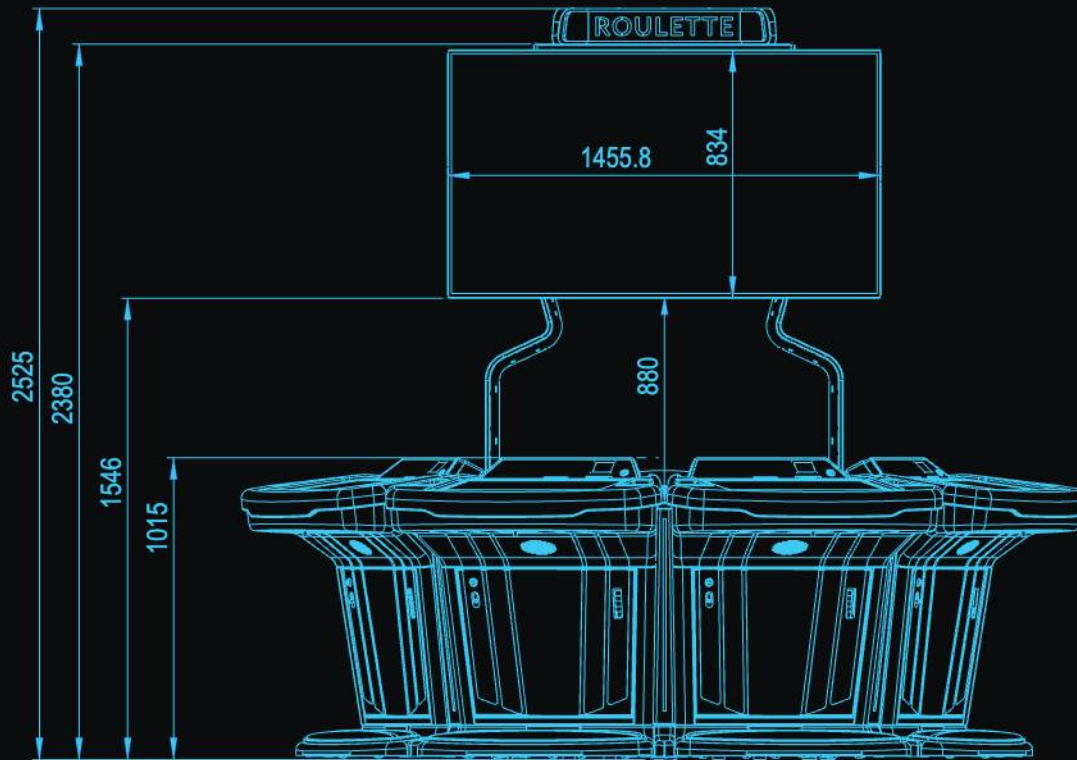
USB charger	Supported
RFID	Supported
Voltage	230V / 50Hz
Voltage	115V / 60Hz
Power consumption	1200-2200W
Required fuse	25A slow
SAS 6.02	Supported



TITAN PLUS 8

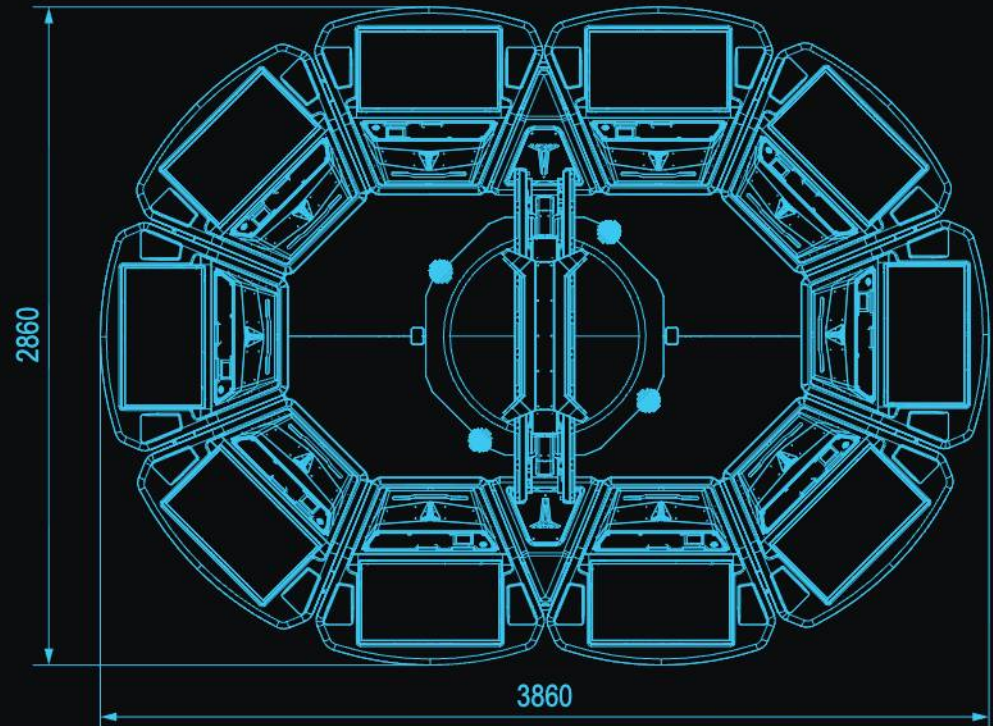
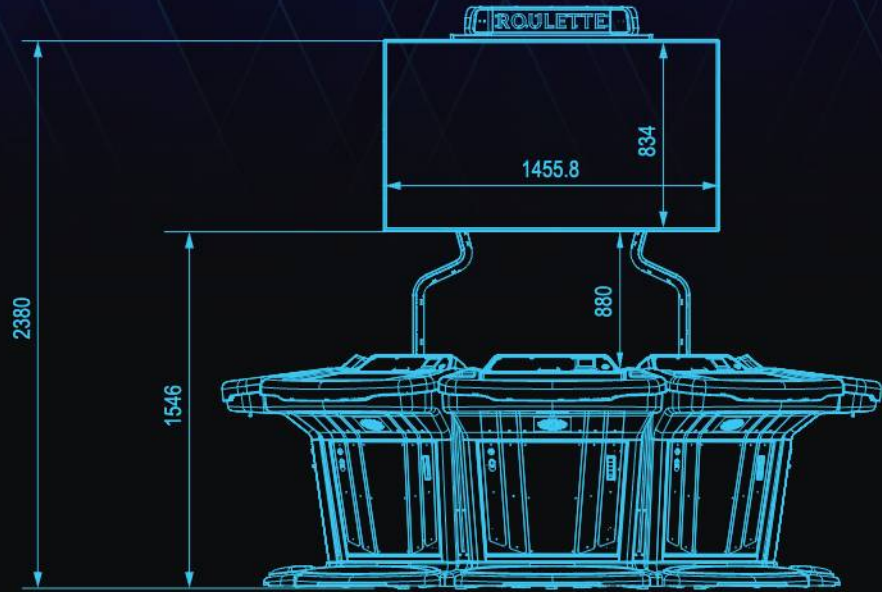
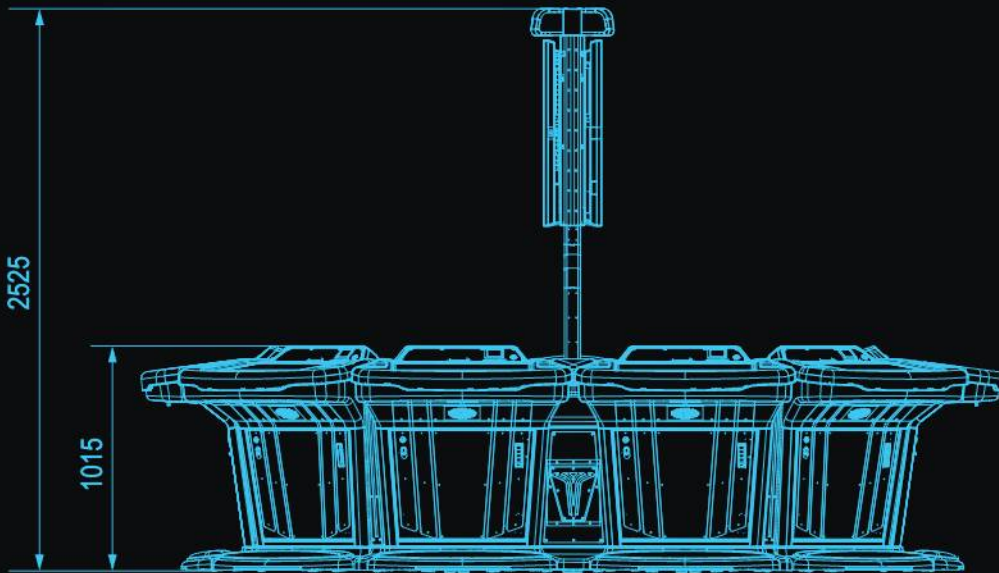
Weight (Basic unit)	min.115kg
LCD	27" wide
Touch system	Supported
Bill acceptor	Optional
Ticket printer	Optional
Coin acceptor	Optional
Coin hopper	Optional
Player tracking	Optional

USB charger	Supported
RFID	Supported
Voltage	230V / 50Hz
Voltage	115V / 60Hz
Power consumption	1200-2200W
Required fuse	25A slow
SAS 6.02	Supported



TITAN PLUS 10

Weight (Basic unit)	min.115kg
LCD	27" wide
Touch system	Supported
Bill acceptor	Optional
Ticket printer	Optional
Coin acceptor	Optional
Coin hopper	Optional
Player tracking	Optional
USB charger	Supported
RFID	Supported
Voltage	230V / 50Hz
Voltage	115V / 60Hz
Power consumption	1200-2200W
Required fuse	25A slow
SAS 6.02	Supported





Kredit:
123982

Ulog:
1000

Devajanje:
0

Ukupno:
124982 RSD

Denominacija 1.00 RSD

18	29	22	5	15	7	12	31	4	6	10	17	14	3	11	28	13	6	15	29	27	30	33	35	
0	6	9	100	11	14	15	20	21	23	26	29	32	35	25-3										
0	50	100	100	100	13	22	28	31	34	35	36	37	38	39	40	41	42	43	44	45	46	47	48	49
1-12	1-18	PAR	50	100	100	100	100	100	100	100	100	100	100	100	100	100	100	100	100	100	100	100	100	100

Photo taken on Belgrade Future Gaming show

Media Kit Support



Brochure



Magazine Ads

Instagram Posts - Organic



LinkedIn Posts - Organic



YouTube Video





Email:

office@fazi.rs

Phone:

+381 18 455 88 80

Address:

Gruje A.Kostadinović 9D
18000 Niš

www.fazicompany.com