

KING MA\$TER *Link*



KING MASTER Link

Enjoy progressive JP concept with top 5 played games:

- 2 level progressive JP (Grand and Major)
- 2 advantage bonuses (Mini and Minor)
- Extra booster feature for high wins

Enter a 3 free spins bonus feature by collecting 5 regular bells or 1 extra booster bell. Each bell collected in bonus resets the free spins counter.

When special symbols land, they lock in place and trigger a series of respins. Each respin gives players the chance to collect additional prize symbols, upgrade existing values, or even trigger one of the progressive jackpots. The feature continues until no spins remain or all positions are filled.

Activate the Link Bonus with 5+ special symbols and enjoy 3 free spins! Every bell you collect resets your spins, boosts your credits, and can unleash multipliers or jackpots. Watch for the Booster Bell - it triggers a powerful mode for twice the excitement.

The Link Bonus activates when five or more special symbols land on the screen, locking in place and awarding 3 free spins.





Every collected bell resets the free spin counter, awards credits, and can activate multipliers or jackpot levels.

A special Booster Bell may also appear, unlocking a powerful mode that delivers a double gaming experience.

The feature continues until no free spins remain or all positions on the screen are filled.

Locked symbols award respins that can add prizes, boost values, or even trigger a jackpot.

Special symbols reset your spins and increase rewards, while the Extra Booster unleashes double the excitement.

**Trigger the Bonus with 5+ symbols or the Extra Booster!
Win 3 Free Spins, respins, boosts, and jackpots!**

KING MASTER Link



Wild Hot 40

96.50% 40 Fixed Lines
RTP Paylines



Lolla's World

96.50% 40 Fixed Lines
RTP Paylines



Roaring Forties

96.50% 40 Lines
RTP Paylines



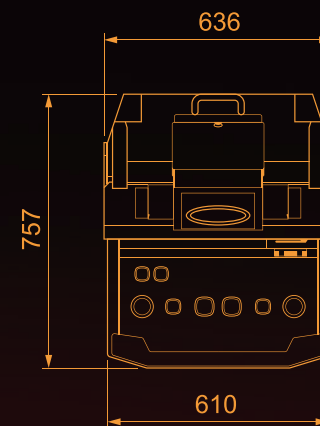
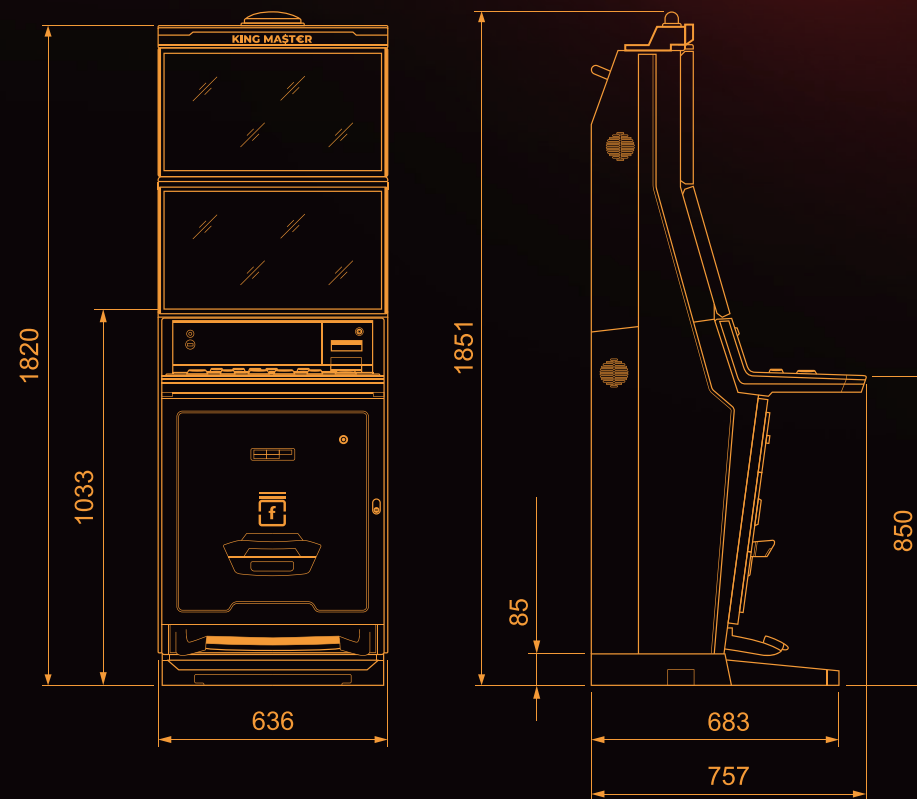
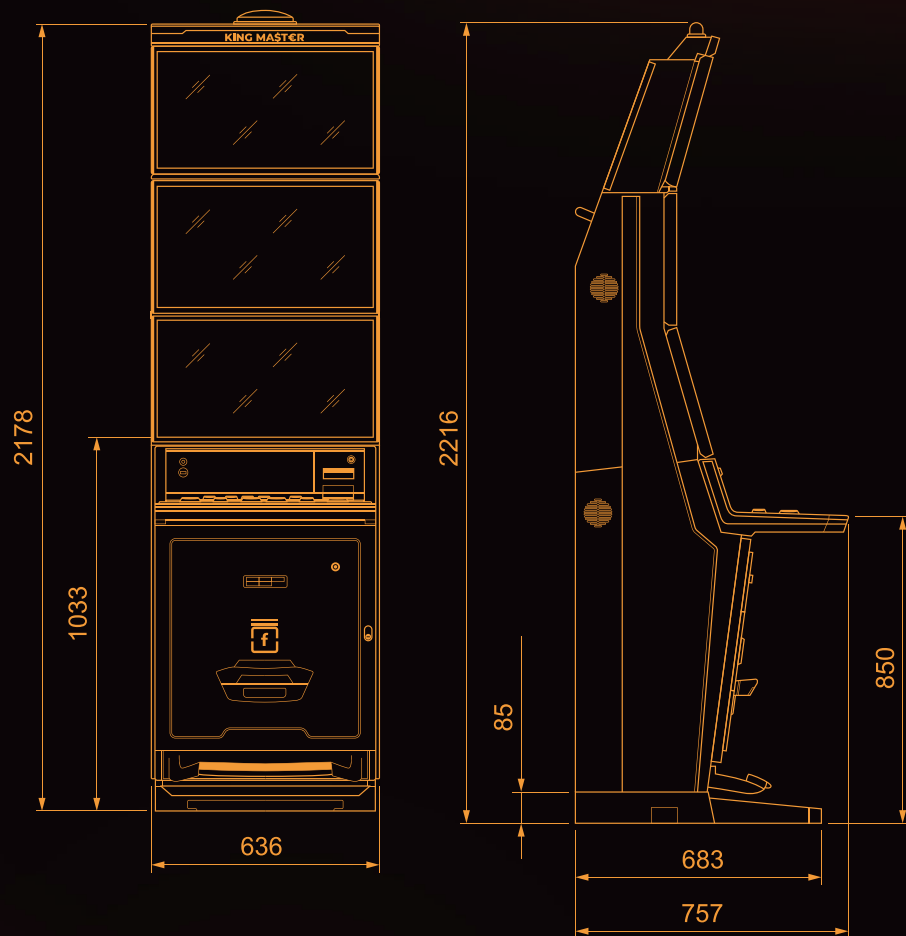
Sizzling Hot Deluxe

96.50% 5 Lines
RTP Paylines



Golden Crown Max

96.50% 40 Fixed Lines
RTP Paylines



Type: KING MASTER (F2SM)

Dimensions with top box without topper: w: 636 mm, h: 1820 mm, h: 1851 mm, d: 757 mm

Dimensions with top box with topper: w: 636 mm, h: 2178 mm, h: 2216 mm, d: 757 mm

Weight: max. 190 kg

Power supply: 230V / 50 Hz / 1.9 A

Electrical protection: fuses on the switch module: 2x 3.15 A, 3 A, 5 A, 2x 10 A

fuses on the RGB LED stripe controller and power distributor: 2x 5 A, 2x 10 A

Ambient temperature: 10 - 35° C

Ambient humidity: 30 - 80 % (non-condensing)



Email:

office@fazi.rs

Phone:

+381 18 455 88 80

Address:

Gruje A.Kostadinović 9D
18000 Niš

www.fazicompany.com