



This guide is intended for general reference only. It is the installer's responsibility to select the most appropriate installation method for the specific application. Proper handling, maintenance, and installation are key to preserving its durability and appearance.

### PRELIMINARY CONSIDERATIONS

#### MATERIAL:

- Protect exposed MDF edges, especially in high-traffic areas, as they are prone to chipping if left unfinished.
- MDF contains formaldehyde, which can be harmful when released as dust during cutting or sanding. Always work in a well-ventilated space and use a dust mask and eye protection.

#### TRANSPORTATION:

- Stack the panels flush during transport to protect protruding edges and corners from damage.
- Support the panel across its entire length when lifting to prevent excessive bending.

#### STORAGE:

- Always store MDF in a dry, flat environment to prevent warping. Do not stack heavy objects on top of it, as MDF can dent or deform under pressure.
- MDF is highly susceptible to moisture. Avoid exposing it to damp environments or weather conditions.
- MDF should be stored for at least 48 hours in the same environmental conditions as its installation site, preferably in the room where it will be used. This allows the material to acclimatize, reaching equilibrium moisture content and avoiding stresses that could cause cracks.

### MAINTENANCE AND CARE

#### MAINTENANCE:

- Avoid hanging or placing heavy objects directly on MDF panels, as this may cause warping or cracking over time.
- Exercise caution when moving furniture or objects near MDF panels, as the material is soft and can be easily scratched or dented.
- If signs of wear appear on the surface, lightly sand the area and reapply a finishing coat to restore the panel's appearance.
- For small holes or dents, apply wood filler, let it dry, and sand until smooth before refinishing.
- Keep the MDF panels away from any sources of heat or fireplaces as the excessive temperatures can cause damage easily on the surface.
- Regularly inspect the panels for any signs of moisture damage, as MDF is sensitive to humidity. Address any issues promptly to prevent deterioration.

#### CLEANING:

- Dust the panels regularly using a soft, dry cloth or feather duster to prevent buildup of dust and dirt.
- For stains or grime, clean with a mild cleaning solution, making sure to avoid excessive water, which can damage the material. Steer clear of abrasive cleaners, which can scratch the surface.
- Wipe any spills immediately to prevent moisture absorption, which could cause the MDF to swell.

### INSTALLATION PROCEDURES

#### MATERIALS AND EQUIPMENT:

- Level
- Chalkline
- Measuring devices
- Circular Saw or Mitre Saw
- MDF Flexible Panels
- PE-foam double-sided adhesive
- Headless Nails
- Structural Adhesives
- Hammer
- Putty Knife
- Sandpaper or sanding sponge

## SUBSURFACE

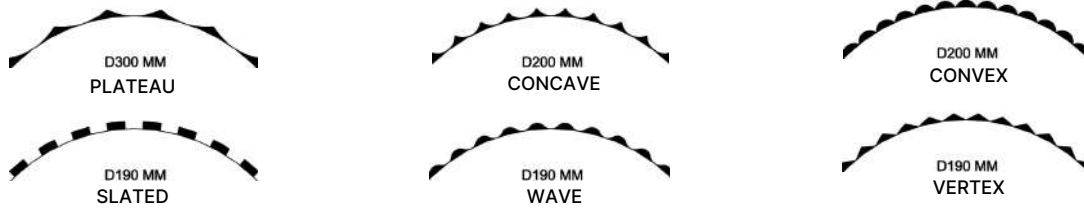
Ensure the surface for MDF attachment is clean, smooth, and free from debris. The supporting frame or structure must be solid and accurately shaped to match the required design.

## CUTTING MDF FLEXIBLE

- For longitudinal cuts along the length of the panel, use a Stanley knife or utility knife for precision.
- For cross-cuts (perpendicular to the panel's length), a circular saw with an edge guide or speed square ensures straight and even cuts.

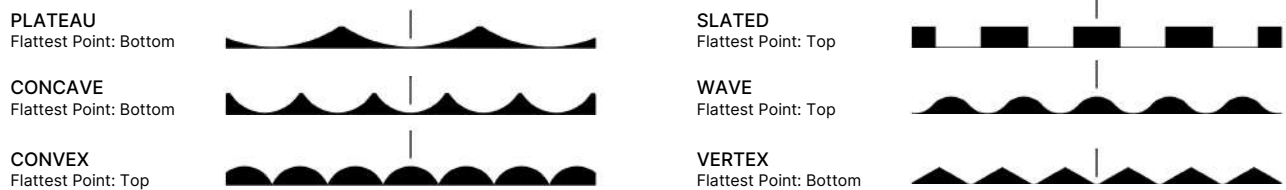
## BENDING REQUIREMENTS

Below are the minimum bending diameters for each profile. For tighter curves, gradually bend the MDF by evenly applying pressure along its length to prevent visible strain or cracking.



## NAIL POINTS

Insert nails or screws at the flattest point of the profile to facilitate easier filling and sanding. See the suggested fastener insertion points for each profile below:



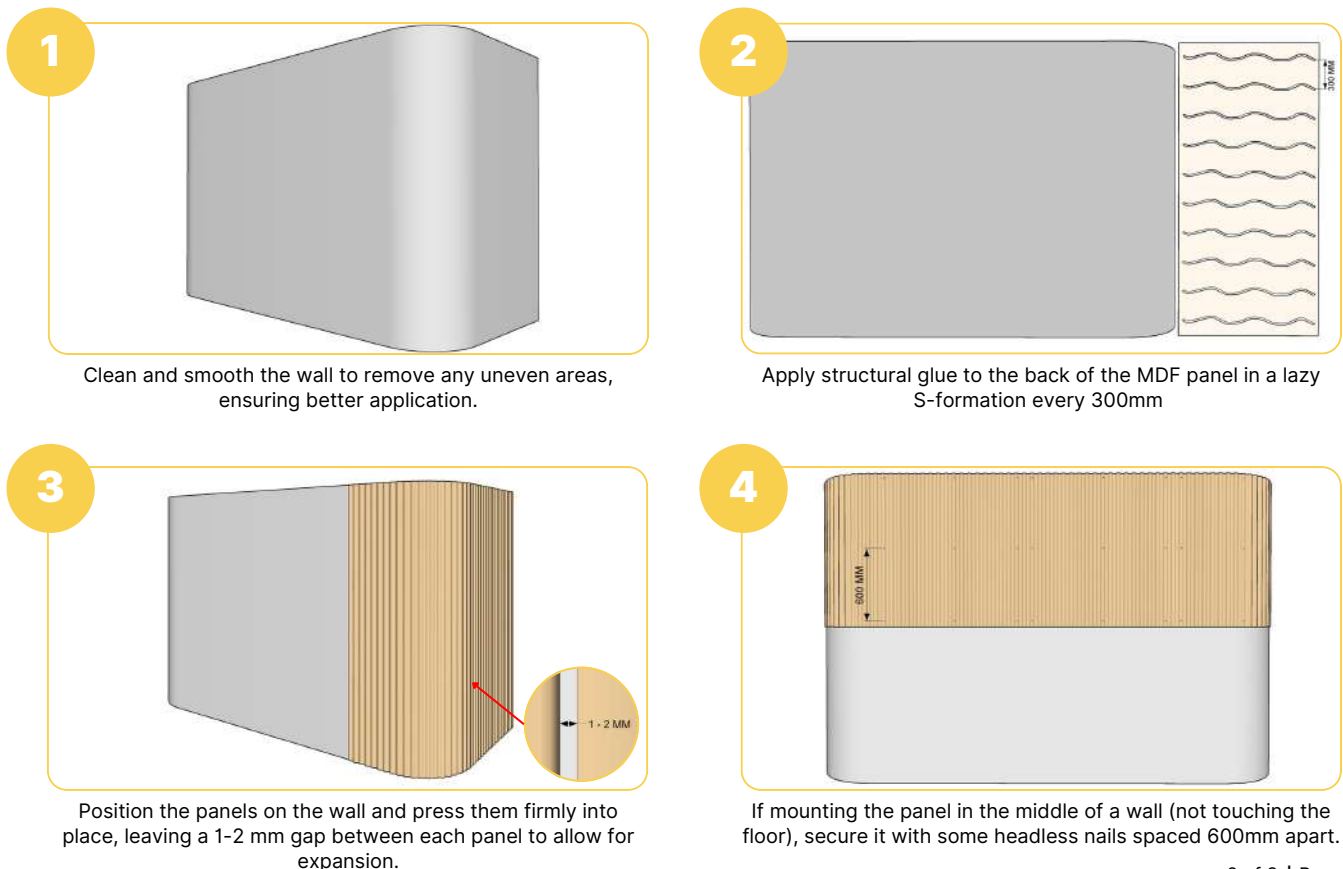
## MOISTURE

- To protect MDF panels from moisture damage, ensure proper ventilation to minimize buildup and leave expansion gaps, especially in high-humidity areas.
- Install a moisture barrier, such as polyethylene sheets or waterproof membranes, behind or beneath panels to prevent seepage.
- Seal all panel edges, particularly in areas prone to water exposure, to block moisture penetration.
- When cleaning nearby floors, avoid excessive water and use dry or slightly damp methods to prevent damage to the lower sections.

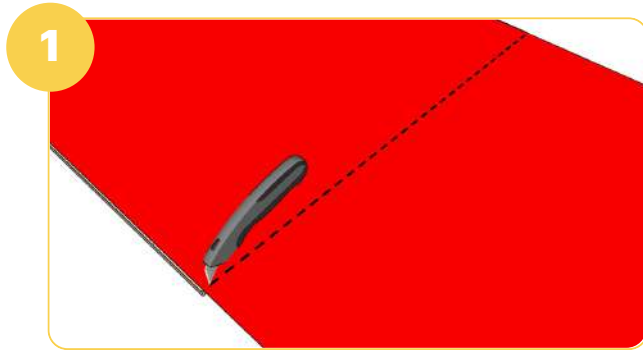
## PAINTING

- Panels come raw and unprimed. Test your paint finish and apply the appropriate undercoat as per the topcoat's requirements. Follow the paint manufacturer's instructions for best results.
- Sand grooves and profiles by hand using sandpaper and soft-back sanding sponges.

## INSTALLING MDF FLEXIBLE WITH STRUCTURAL ADHESIVES

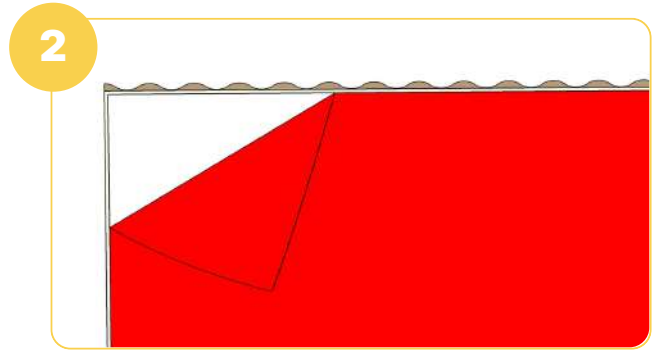


### INSTALLING MDF FLEXIBLE WITH PE-FOAM DOUBLE-SIDED ADHESIVES



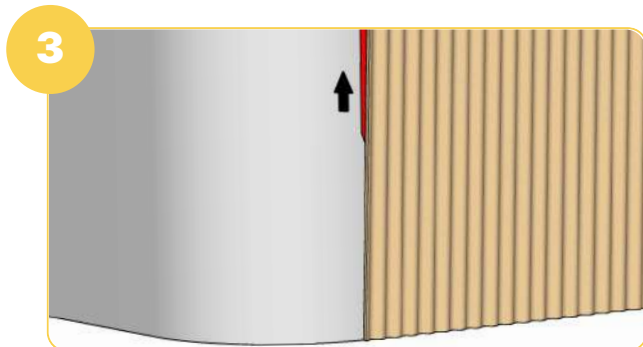
1

Measure and cut the PE-foam double-sided adhesive tape to fit along the back of the MDF panel, then apply it evenly across the surface.



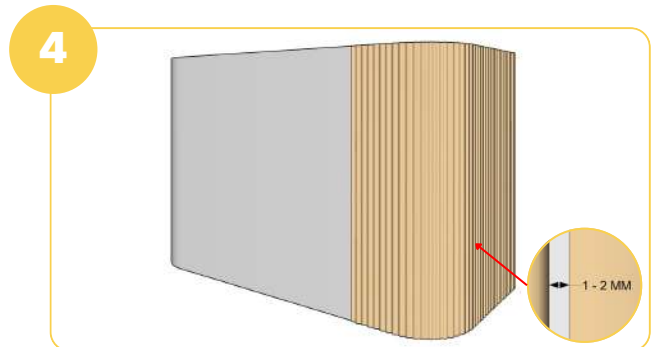
2

Once the tape is applied, peel off the liner from one edge of the adhesive tape just enough to create an initial point of firm contact between the panel and the intended application area.



3

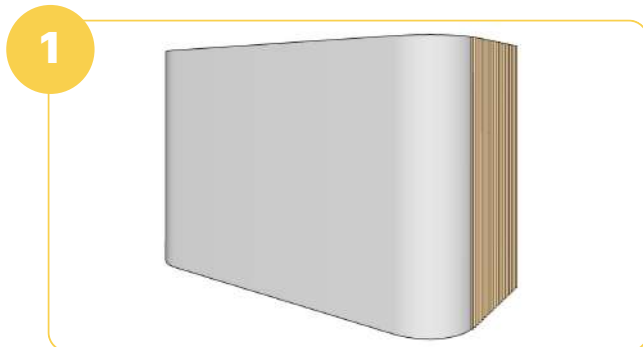
Starting from one side, carefully align and press the MDF panel firmly against the surface. As you go, peel off the rest of the liner and press evenly to ensure the panel bonds securely.



4

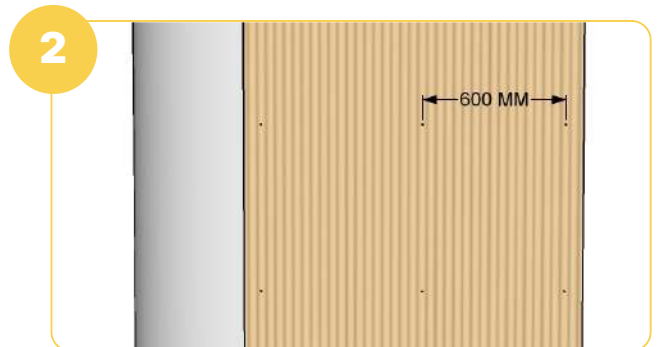
For additional panels, repeat the same steps. Ensure you leave a 1-2mm gap between adjacent panels to allow for expansion.

### INSTALLING MDF FLEXIBLE WITH HEADLESS NAILS



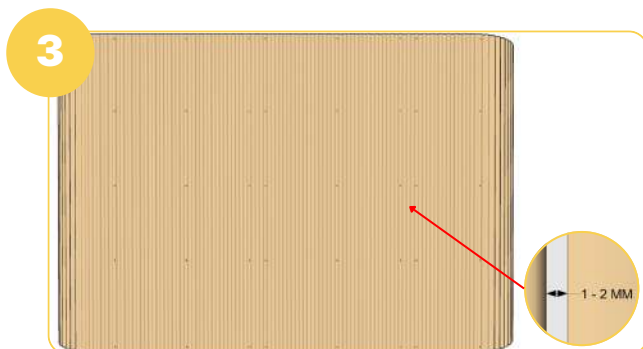
1

Place the first MDF panel in the desired position on the surface.



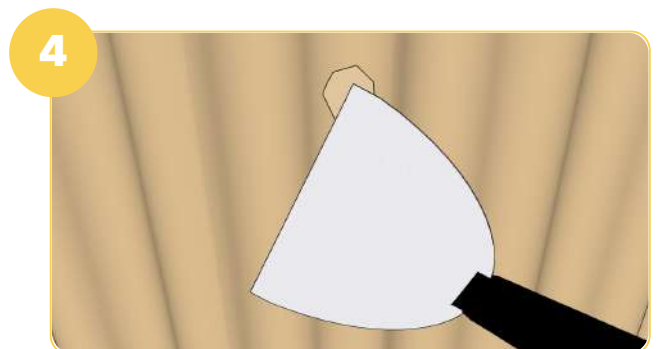
2

Starting at one corner, hammer headless nails into the panel at 600mm intervals. Drive the nails just below the surface of the MDF for a smooth finish.



3

Position the second panel next to the first one, leaving a 1-2 mm gap between them to accommodate expansion. Repeat the nailing process, ensuring the panel is aligned properly and secured in place.



4

Once all the panels are installed, fill the nail holes and gaps between panels with spackling or a paintable acrylic-based sealant and wipe away any excess.