



This guide provides essential instructions and best practices for the proper installation of WPC columns. Adhering to these guidelines will help ensure the product's integrity, longevity, and performance. Note that the information in this guideline is provided freely and serves as general guidance, without granting or implying any warranty.

PRELIMINARY CONSIDERATIONS

MATERIAL:

- Every wood material is susceptible to changes such as expansion, contraction, bending, and deflection when exposed to external environmental conditions.

TRANSPORTATION:

- During transportation and loading of WPC columns, secure the components properly to prevent movement during transit.

STORAGE:

- Store the WPC columns on a flat and even surface to prevent any distortion or bending over time.
- If stacking is necessary, ensure the weight is distributed evenly to avoid deformation of the lower components.
- Keep the WPC columns away from direct sunlight, extreme temperatures and other environmental elements that could accelerate wear and tear.
- If the WPC columns have been stored in a significantly different temperature environment, allow them to acclimate gradually to the installation site before installation.

MAINTENANCE AND CARE

MAINTENANCE:

- Take care to avoid heavy impact or excessive force on the WPC tubular structures, as this can lead to structural damage.

CLEANING:

- Clean the WPC column periodically to remove dirt, dust, and any surface stains.
- Use mild soap or detergent mixed with water and a soft brush or cloth for cleaning.
- Avoid using abrasive materials that could scratch or damage the surface.

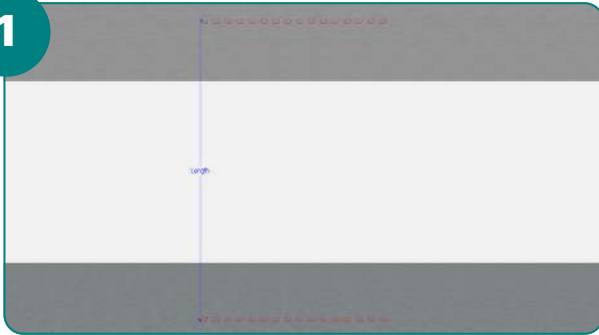
INSTALLATION PROCEDURES

MATERIALS AND EQUIPMENT:

- Tape Measure
- Level
- Chalkline
- Circular Saw
- Hammer
- Power Drill
- Caulk Gun
- Sand Paper
- Structural Adhesives
- Headless Nails and Screws
- Woodblocks
- WPC Columns

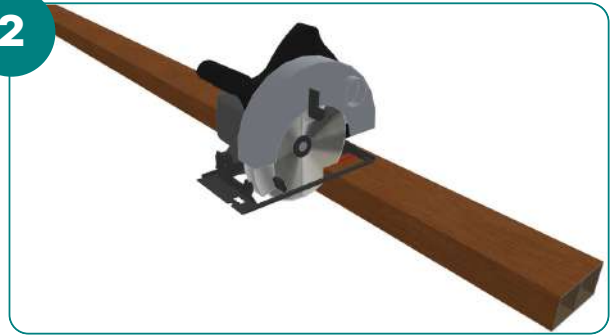
FRAMELESS INSTALLATION

1



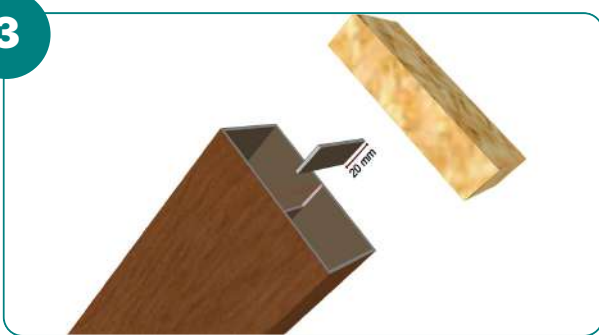
Mark and measure the locations where the WPC columns will be placed.

2



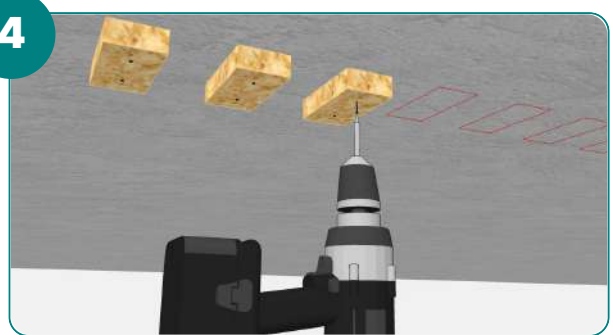
Use a circular saw to cut the columns based on the height requirement for installation.

3



Trim the column's middle partition at both ends to a length of 20 mm and prepare woodblocks that are the same size as the hollowed-out spaces in the columns.

4



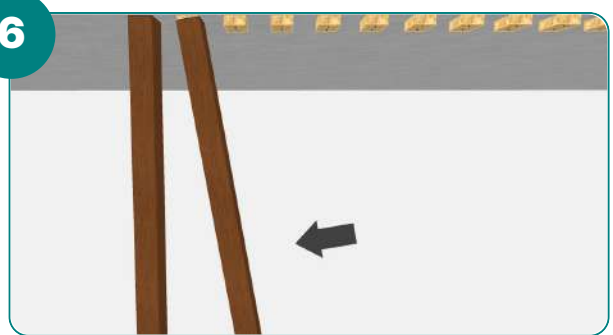
Fix the first half of the woodblocks to the marked positions on the top of the installation site using screws.

5



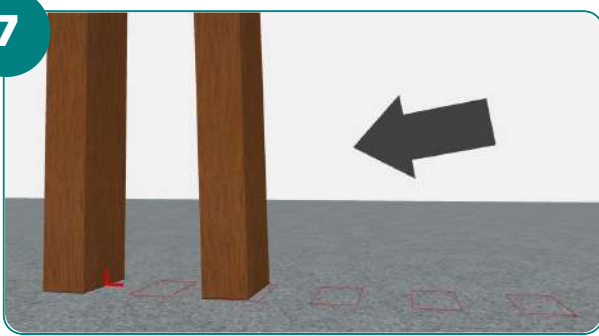
Apply structural adhesives to the inside of the hollowed-out ends of the column before inserting the remaining woodblocks. Apply structural adhesive to the bottom as well, where it will be connected to the ground.

6



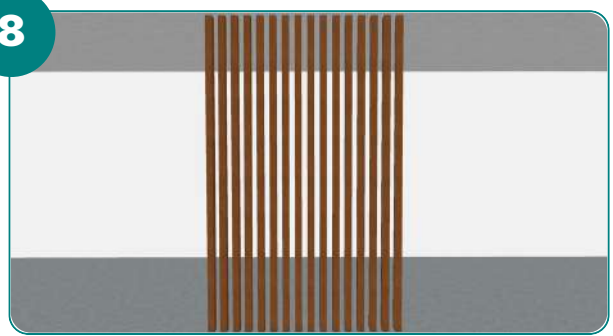
Prior to mounting the column, tilt it so that it would fit the woodblock that was previously placed at the top location.

7



Push the column at the bottom until it is set to a position perpendicular to the ground.

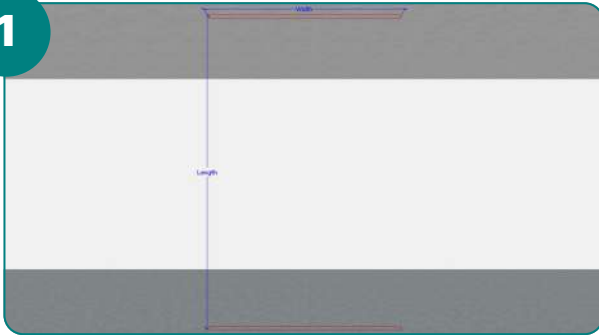
8



Repeat steps until necessary to finish installation.

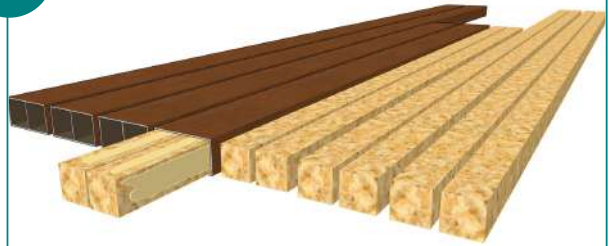
WITH FRAMING INSTALLATION

1



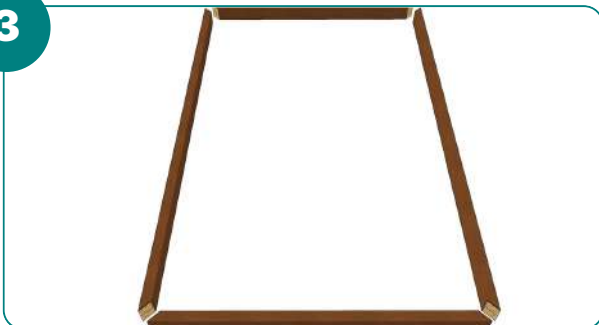
Measure the size of the frame that will enclose the entire partition, then cut the column lengths required for each side of the framework.

2



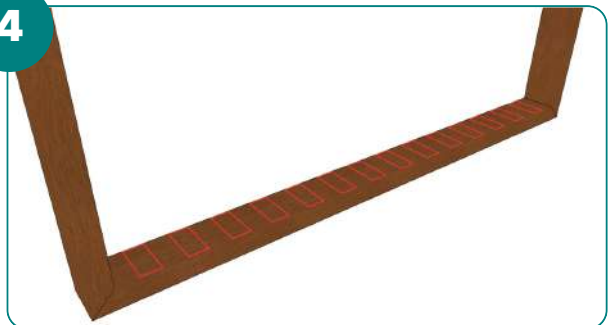
To add reinforcement, insert wood battens into the entire length of the framing columns. Apply structural adhesives to keep them in place and use headless nails to thoroughly secure them, if necessary.

3



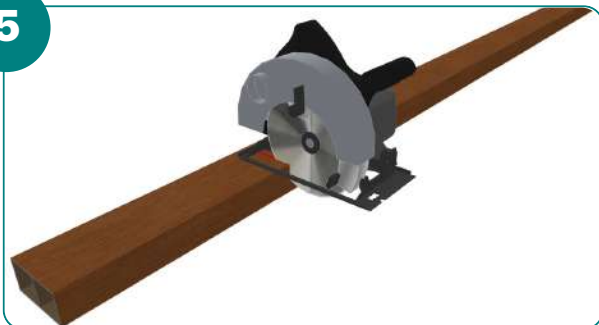
Assemble the frameworks then bevel and refine their edges for seamless attachment. Use a combination of structural adhesives and screws to firmly secure the joints.

4



Mark the positions in the horizontal frames where the inner columns will be installed.

5



Prepare columns to the necessary length to fit within the frame.

6



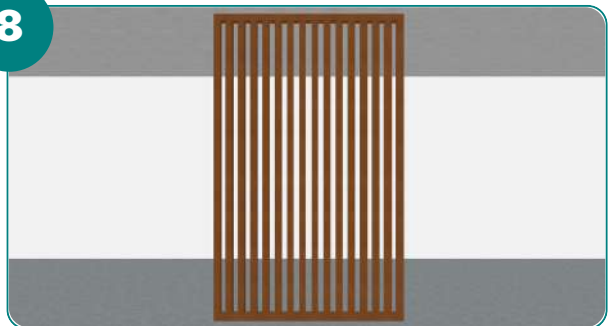
Trim the middle partition at both ends of the inner columns to a length of 20 mm. Afterward, insert woodblocks into both ends and securely attach them using structural adhesives.

7



Secure the inner columns to the outer frame by screwing them into position after aligning them within the frame at the designated marks.

8



Install and align the entire partition framework at the specified location, then use appropriated screws to fasten it securely to both the adjoining ceiling and floor.