

# BLOQ 6DT

Data Sheet

# BLOQ 6DT

## Dante | Ultimate All-Weather Sound

The **BLOQ 6DT** is a compact all-weather speaker engineered for commercial applications. Built to deliver stunning sound quality in harsh environments, it meets the IEC529 IP55 standard with a robust ABS cabinet and flexible installation options. The speaker combines PoE++ power with Dante digital audio networking to transmit both audio and power over a single network cable, providing exceptional performance for advanced multi-zone installations.



### Integrated Dante & PoE++

The **BLOQ 6DT** leverages Dante audio networking and PoE++ (IEEE802.3bt) to streamline installation, delivering both power and audio through a single network cable. Equipped with HiFi-class digital amplifier chips and IEEE1588 precision clock protocol, it ensures lossless audio with extremely low-latency synchronization across devices.

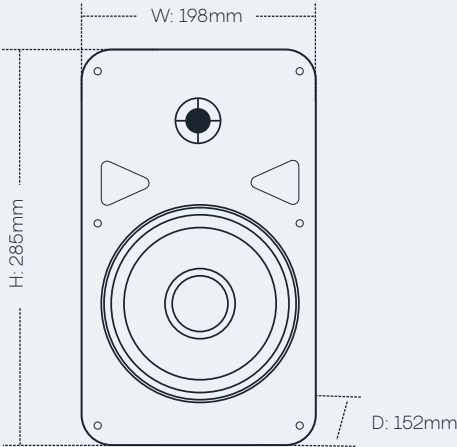
### Robust & Versatile Performance

Constructed with a high-strength ABS shell and mesh cover, it offers durable, all-weather protection for both indoor and outdoor environments. Each receiving channel is independently controllable via LAN, with automatic IP assignment via DHCP, while the adjustable mounting bracket allows quick and easy installation for optimal positioning.

# Technical Specifications

Unit	BLOQ 6DT
Rated Power:	60W
Max Power:	120W
Impedance:	4Ω
Sensitivity (1w,1m):	90dB (+3dB)
Frequency Response:	70Hz~20kHz (-10dB)
Max Sensitivity:	112dB
Operating Conditions:	-20°C~55°C; <95% Humidity
Speaker Unit:	6.5" Woofer + 1" Tweeter
Dimensions (DxWxH):	152x198x285mm
Net Weight:	3.2kg
Gross Weight:	4.0kg
Mounting Type:	Adjustable Angle Bracket (Horizontal/Vertical)
Interface:	RJ45 * 1 (POE++ Interface)
Power Supply:	48V PoE++
Material:	High-strength ABS Box; Iron Mesh Cover
Colour:	White/Black
IP Rating:	IEC529 IP55 Compliant

# Dimensions



# Contact Us

---

[info@bataudio.com](mailto:info@bataudio.com)  
[www.bataudio.com](http://www.bataudio.com)  
United Kingdom

 **BAT.**  
BRITISH ACOUSTIC TECHNOLOGY