

# TASH 6

Data Sheet

# TASH 6

## Crisp Sound, Indoors & Out

The TASH series is a wall-mounted waterproof speaker designed for commercial audio and public address systems, high-quality sound performance. With an IP66 dustproof and waterproof rating, it ensures reliable audio in both indoor and outdoor environments, making it ideal for versatile applications.



## Smart Inputs, Superior Output

These speakers come with a matching transformer offering multi-tap selections for 70-100V low-impedance input, making them ideal for commercial audio and public address systems.

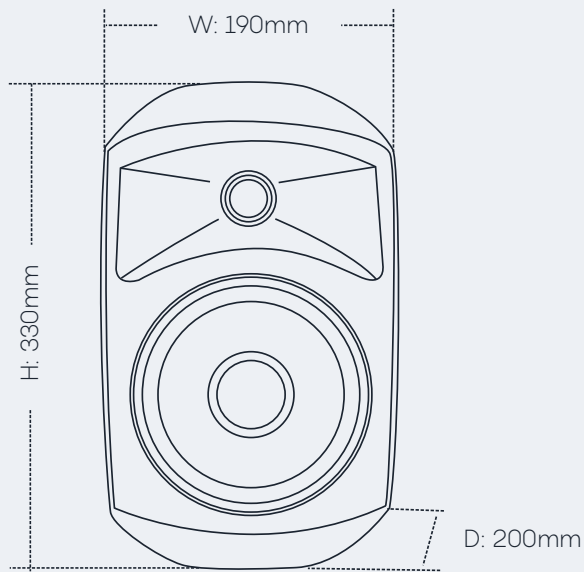
## Rugged. Reliable. Ready for Any Weather!

Built to withstand the elements, our IP66 waterproof design ensures protection against heavy rain, dust, and splashes. Perfect for outdoor adventures, it keeps your device safe in any weather.

# Technical Specifications

Unit	TASH 6
100V Input:	7.5W-15W-30W-60W
70V Input:	3.75W-7.5W-15W-30W
8Ω Input:	60W
IP Rated:	IP66 Waterproof
Sensitivity (1m/1W):	94 (±3dB)
Frequency Response:	60Hz~20KHz
Coverage Angle:	Vertical 80° & Horizontal 100° (1KHz)
Dimension (DxWxH):	200x190x330mm (Without Bracket)
Installation:	Adjustable Bracket
Material:	PP Housing & Bracket, Aluminium Grille
Speaker Unit:	6.5" Woofer (Waterproof) 1.5" Tweeter (Waterproof)
Colour:	White/Black
Net Weight:	3.60kg
Gross Weight:	4.30kg

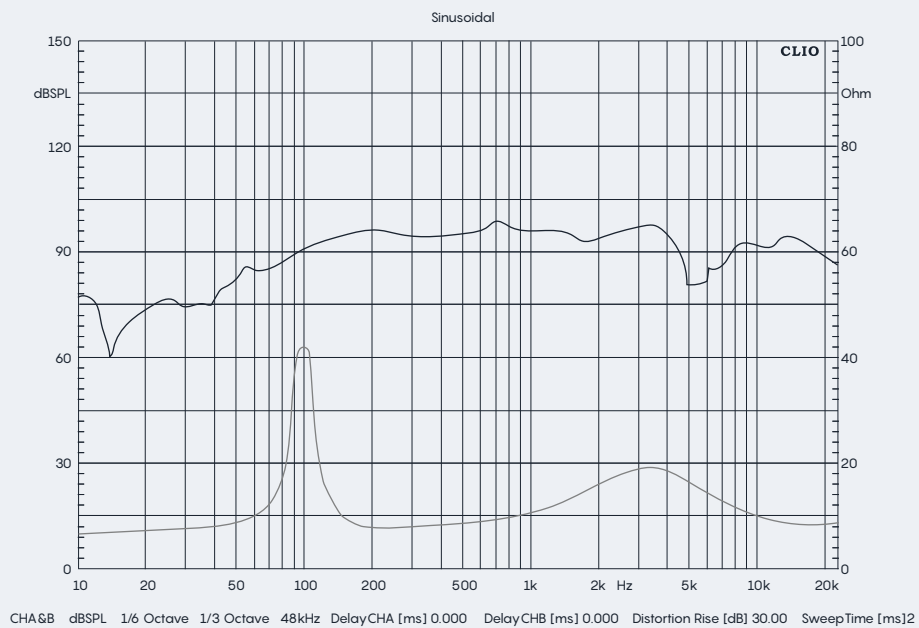
# Dimensions



# Technical Data

## Surface-Mount Loudspeaker

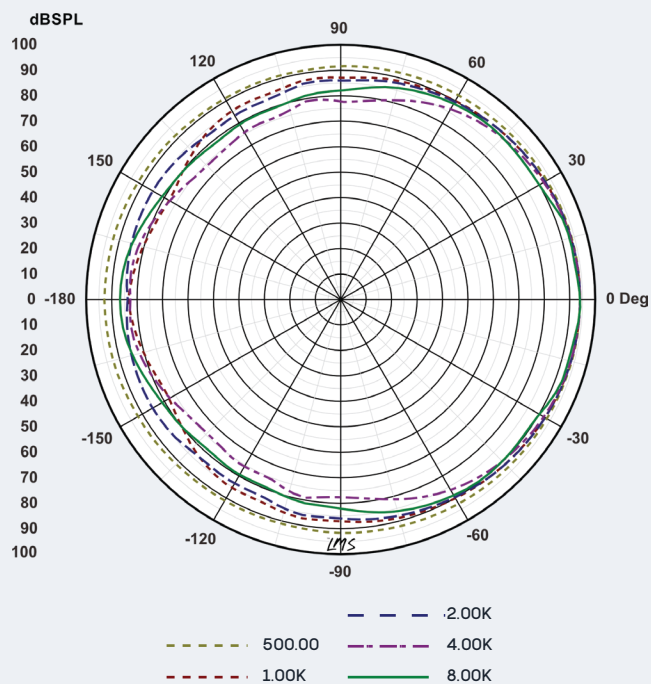
### Frequency Response & Impedance Diagram



# Technical Data

## Surface-Mount Loudspeaker

### Polar Diagram



# Contact Us

---

[info@bataudio.com](mailto:info@bataudio.com)  
[www.bataudio.com](http://www.bataudio.com)  
United Kingdom

 **BAT.**  
BRITISH ACOUSTIC TECHNOLOGY