

CLING 4

Data Sheet

CLING 4

Elevate Your Ambiance

The **CLING** series is a versatile line of ceiling speakers designed for both commercial and household markets. Each speaker features a striking bright blue paper cone and an Ultra-Narrow Frameless Magnetic Grilles that delivers a modern, stylish appearance while ensuring exceptional affordability.



Crystal Clear Sound, Always Heard

The speaker features high-quality 2-way coaxial drivers and precisely calibrated crossovers, providing clear, detailed sound with distinct treble and bass for outstanding audio performance.

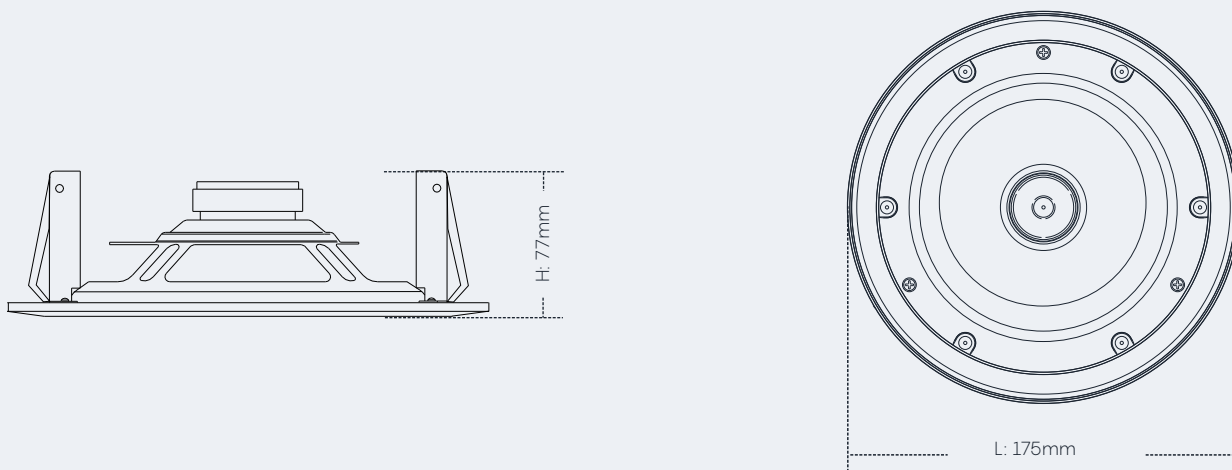
Sleek Performance for Every Setting

Application: Ideal for boutique hotels, luxury homes, fine dining venues, luxury retail spaces, museums & galleries, and VIP lounges, the **CLING** series delivers the perfect balance of premium performance, refined style, and cost-effectiveness.

Technical Specifications

Unit	CLING 4
Line Input:	100V/8Ω
Rated Power:	10W
Max Power:	20W
Frequency Response:	70Hz~22KHz
Material:	Panel & Back Shell: ABS; Grill: Iron
Colour:	Front Cover: White Body: Black
Speaker Unit:	4" Woofer + 0.75" Tweeter
Sensitivity (1w@1m):	87dB
Dimensions (LxH):	Ø 175x77mm
Cutout Size:	Ø 150mm
Installation Depth:	73mm
Installation:	4-Claw Rotary Mounting Ears
Net Weight:	0.75kg

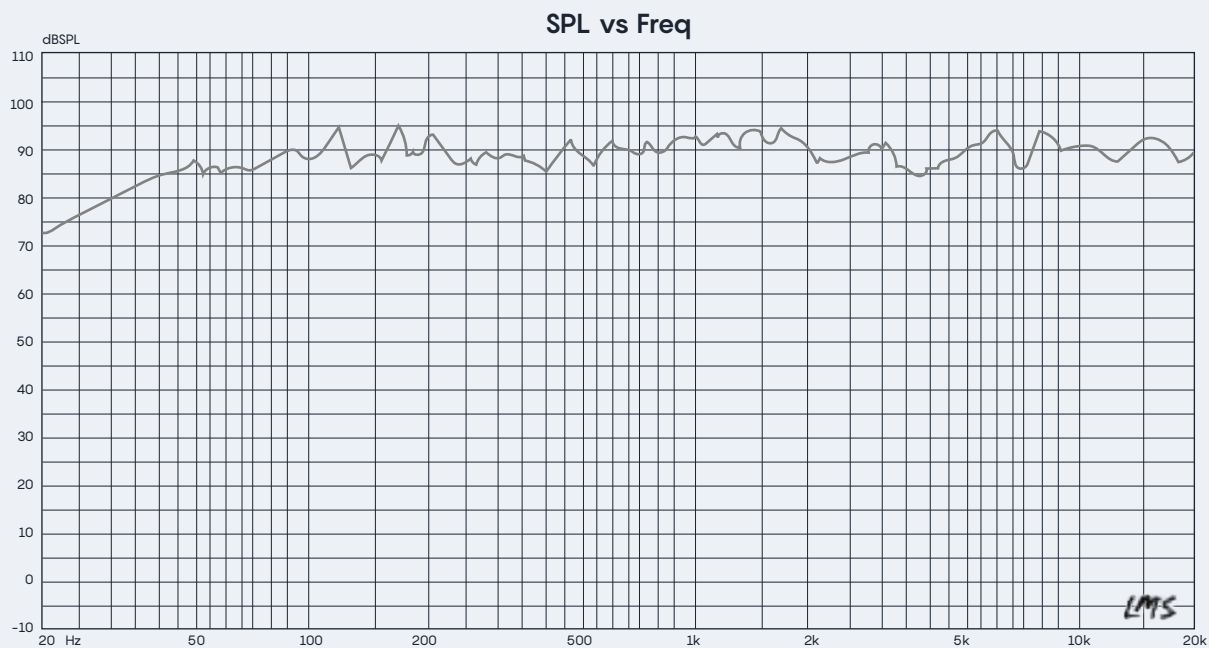
Dimensions



Technical Data

Ceiling Speaker

SPL



Contact Us

info@bataudio.com
www.bataudio.com
United Kingdom

 **BAT.**
BRITISH ACOUSTIC TECHNOLOGY