

# CLING 6 II

Data Sheet

# CLING 6II

## Elevate Your Ambiance

The CLING Gen 2 series is a versatile line of ceiling speakers designed for both commercial and household markets. speaker features a striking bright yellow paper cone and an Ultra-Narrow Frameless Magnetic Grilles that delivers a modern, stylish appearance while ensuring exceptional affordability.



## Crystal Clear Sound, Always Heard

The speaker features high-quality 2-way coaxial drivers and precisely calibrated crossovers, providing clear, detailed sound with distinct treble and bass for outstanding audio performance.

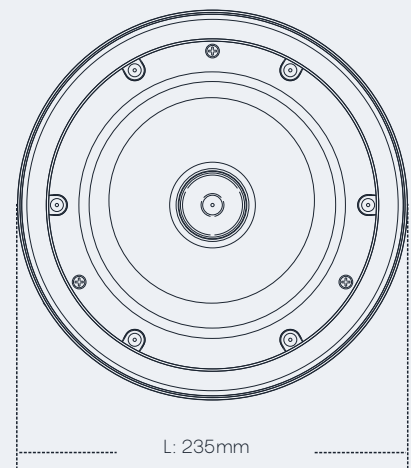
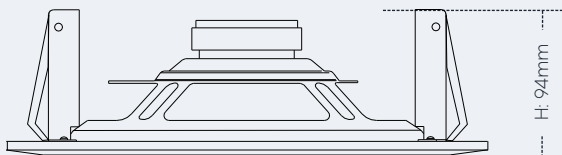
## Sleek Performance for Every Setting

Application: Ideal for boutique hotels, luxury homes, fine dining venues, luxury retail spaces, museums & galleries, and VIP lounges, the CLING series delivers the perfect balance of premium performance, refined style, and cost-effectiveness.

# Technical Specifications

Unit	CLING 6II
Line Input:	100V/8Ω
Rated Power:	20W
Max Power:	40W
Frequency Response:	55Hz~22KHz
Material:	Panel: ABS, Mesh: Iron
Colour:	Front Cover: White Body: Black
Speaker Unit:	6.5" Woofer + 1" Tweeter
Sensitivity (1w@1m):	88dB
Max Sensitivity:	106dB
Dimensions (LxH):	Ø 235x94mm
Cutout Size:	Ø 205mm
Installation Depth:	91mm
Installation:	4 Jaw Swivel Mounting Lugs
Net Weight:	1.36kg

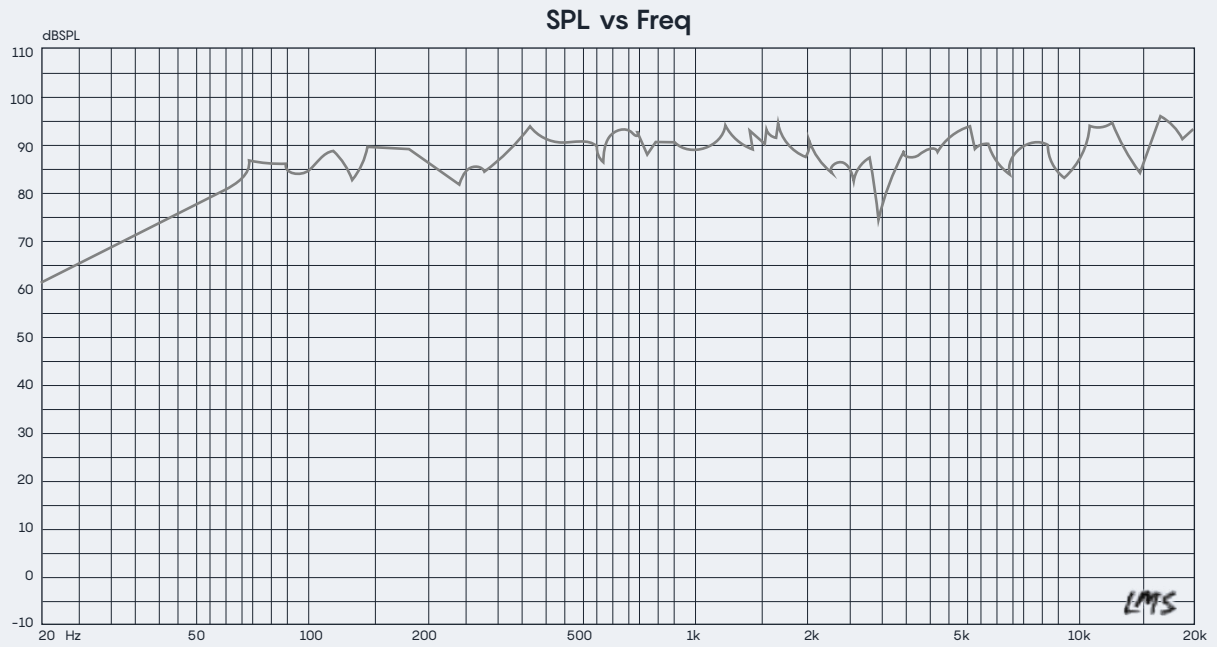
## Dimensions



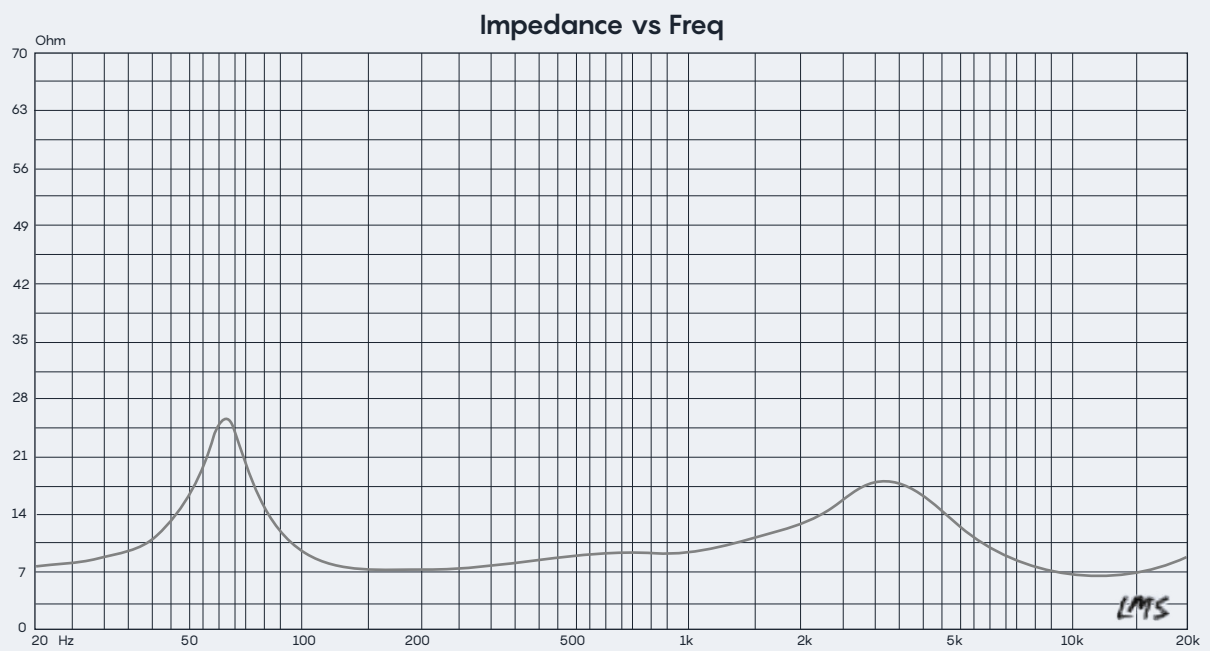
# Technical Data

## Ceiling Speaker

### SPL



### Impedance



# Contact Us

---

[info@bataudio.com](mailto:info@bataudio.com)  
[www.bataudio.com](http://www.bataudio.com)  
United Kingdom

 **BAT.**  
BRITISH ACOUSTIC TECHNOLOGY