

CLING 6 II

Data Sheet

CLING 6II

Elevate Your Ambiance

The CLING Gen 2 series is a versatile line of ceiling speakers designed for both commercial and household markets. speaker features a striking bright yellow paper cone and an Ultra-Narrow Frameless Magnetic Grilles that delivers a modern, stylish appearance while ensuring exceptional affordability.



Crystal Clear Sound, Always Heard

The speaker features high-quality 2-way coaxial drivers and precisely calibrated crossovers, providing clear, detailed sound with distinct treble and bass for outstanding audio performance.

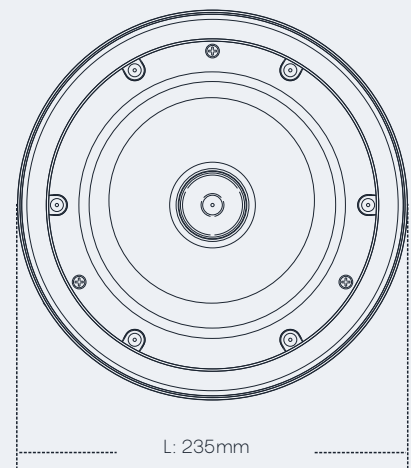
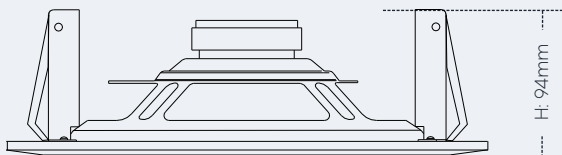
Sleek Performance for Every Setting

Application: Ideal for boutique hotels, luxury homes, fine dining venues, luxury retail spaces, museums & galleries, and VIP lounges, the CLING series delivers the perfect balance of premium performance, refined style, and cost-effectiveness.

Technical Specifications

| Unit | CLING 6II |
|----------------------|--------------------------------|
| Line Input: | 100V/8Ω |
| Rated Power: | 20W |
| Max Power: | 40W |
| Frequency Response: | 55Hz~22KHz |
| Material: | Panel: ABS, Mesh: Iron |
| Colour: | Front Cover: White Body: Black |
| Speaker Unit: | 6.5" Woofer + 1" Tweeter |
| Sensitivity (1w@1m): | 88dB |
| Max Sensitivity: | 106dB |
| Dimensions (LxH): | Ø 235x94mm |
| Cutout Size: | Ø 205mm |
| Installation Depth: | 91mm |
| Installation: | 4 Jaw Swivel Mounting Lugs |
| Net Weight: | 1.36kg |

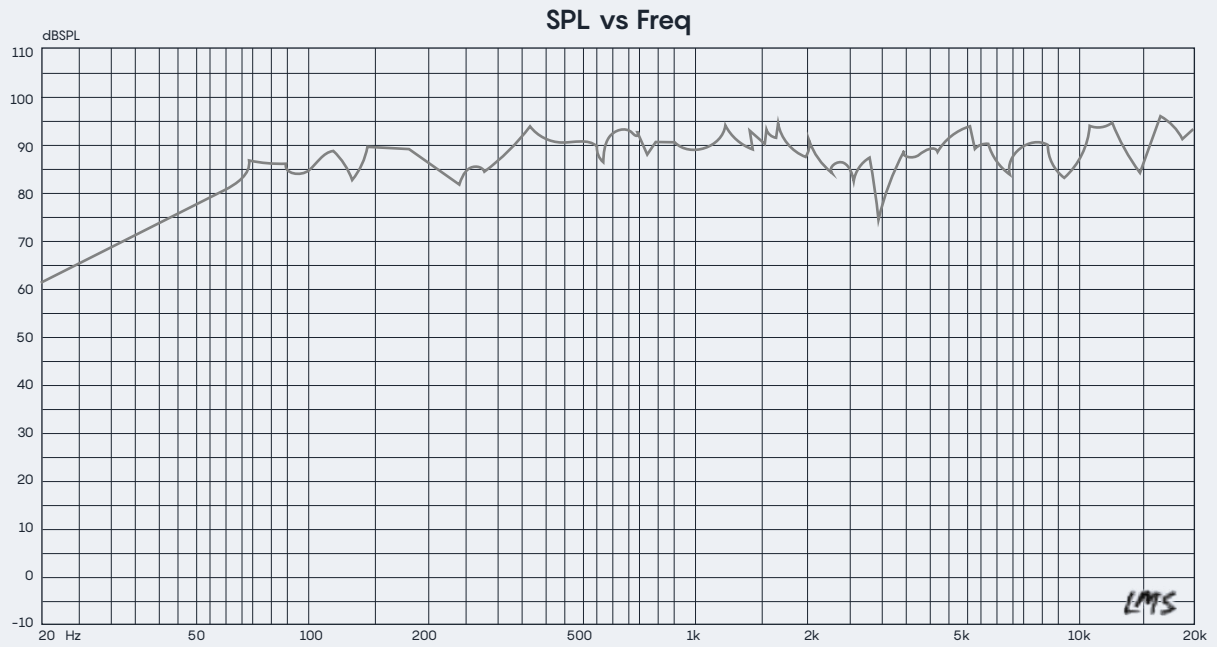
Dimensions



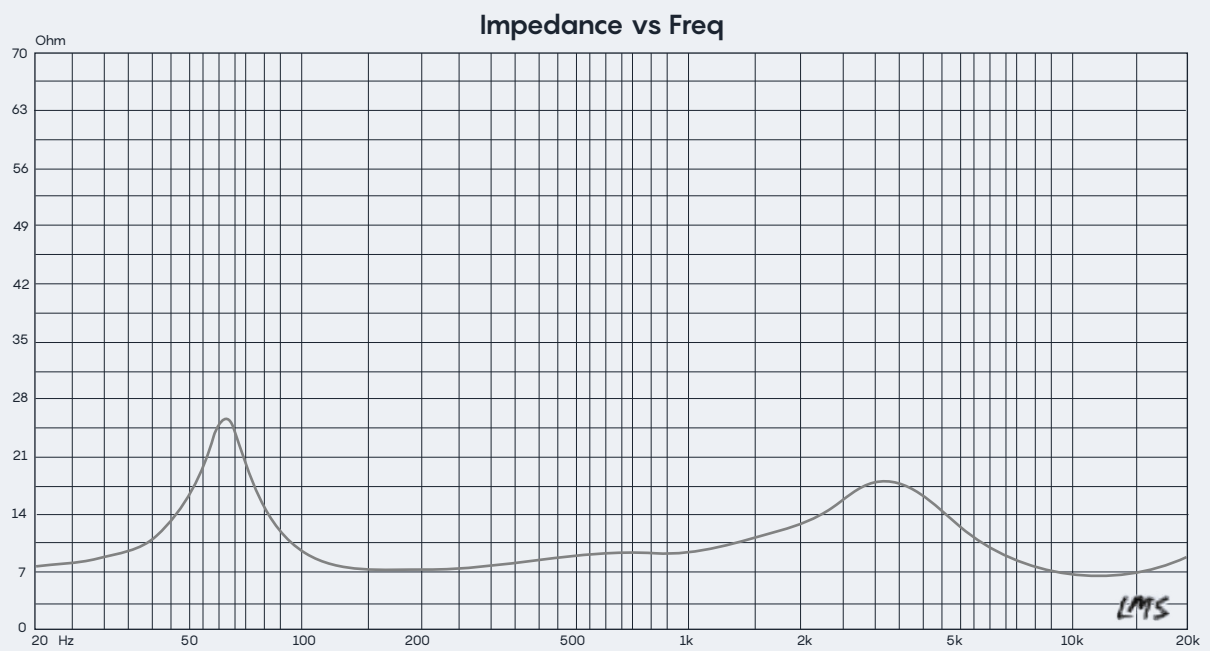
Technical Data

Ceiling Speaker

SPL



Impedance



Contact Us

info@bataudio.com
www.bataudio.com
United Kingdom

 **BAT.**
BRITISH ACOUSTIC TECHNOLOGY