

KVC DRESSPACK RETENTION SYSTEM

Spring-Based Retract

Kinking Protection









Durable Mechanism



Why KVC Dresspack?

Meticulously engineered to protect cables while eliminating interference and kinking during robot operation. Our system addresses critical pressure points on each axis to provide a flexible yet durable solution for cable management.

Key Benefits

-  Increased Longevity
-  No Kinking
-  Flexibility in Applications
-  Easy Installation
-  Wider Range of Motion
-  Cost Effective Durability
-  Higher Resistance & Safety
-  Make in India Initiative

36-70mm

Diameter Range

100%

Robot Compatibility

24/7

Support Available

KEY FEATURES

Flexible & Durable

Material comp curated to be resistant to sharp movements and harsh environments, yet flexible for all applications

Smooth Operation

Frictionless movement reduced kinking, breakages, and cable damage

Versatile Compatibility

Works with ABB, Fanuc, KUKA, Yaskawa and all major brands

Enhanced Precision

High-quality linear guides for precise, repeatable movements

Compact Design

Easy installation into existing setups without major modifications

Reliable Retract Stroke

Consistent 400mm retract stroke at affordable cost

Made in India Product

In-house design and assembly using advanced global raw materials ensures low cost yet highest quality

Speedy Service

Localised in-house parts guarantee short lead times for service and spares

High Payload Capacity

Suited for heavy-duty applications



TECHNICAL SPECIFICATIONS

SIZE	DIMENSIONS (mm)	WEIGHT
NW 70	175 x 200 x 650	14.9 kg
NW 52	145 x 150 x 650	8.65 kg
NW 36	105 x 140 x 650	6.2 kg

MATERIALS

Aluminum Alloy
Stainless Steel, PVC
Black Anodized Finish

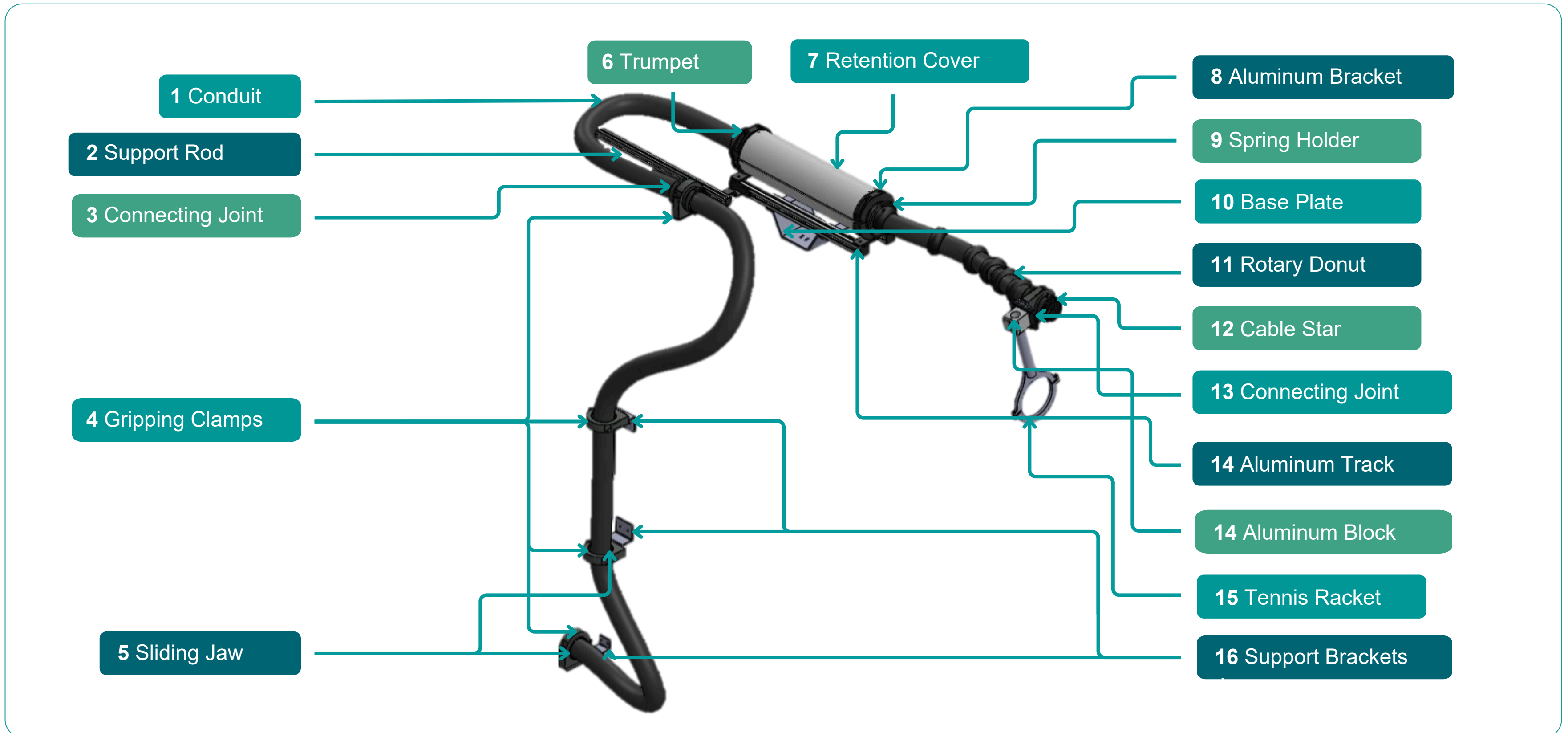
RETRACT STROKE

400 mm stroke
Long & efficient
movement

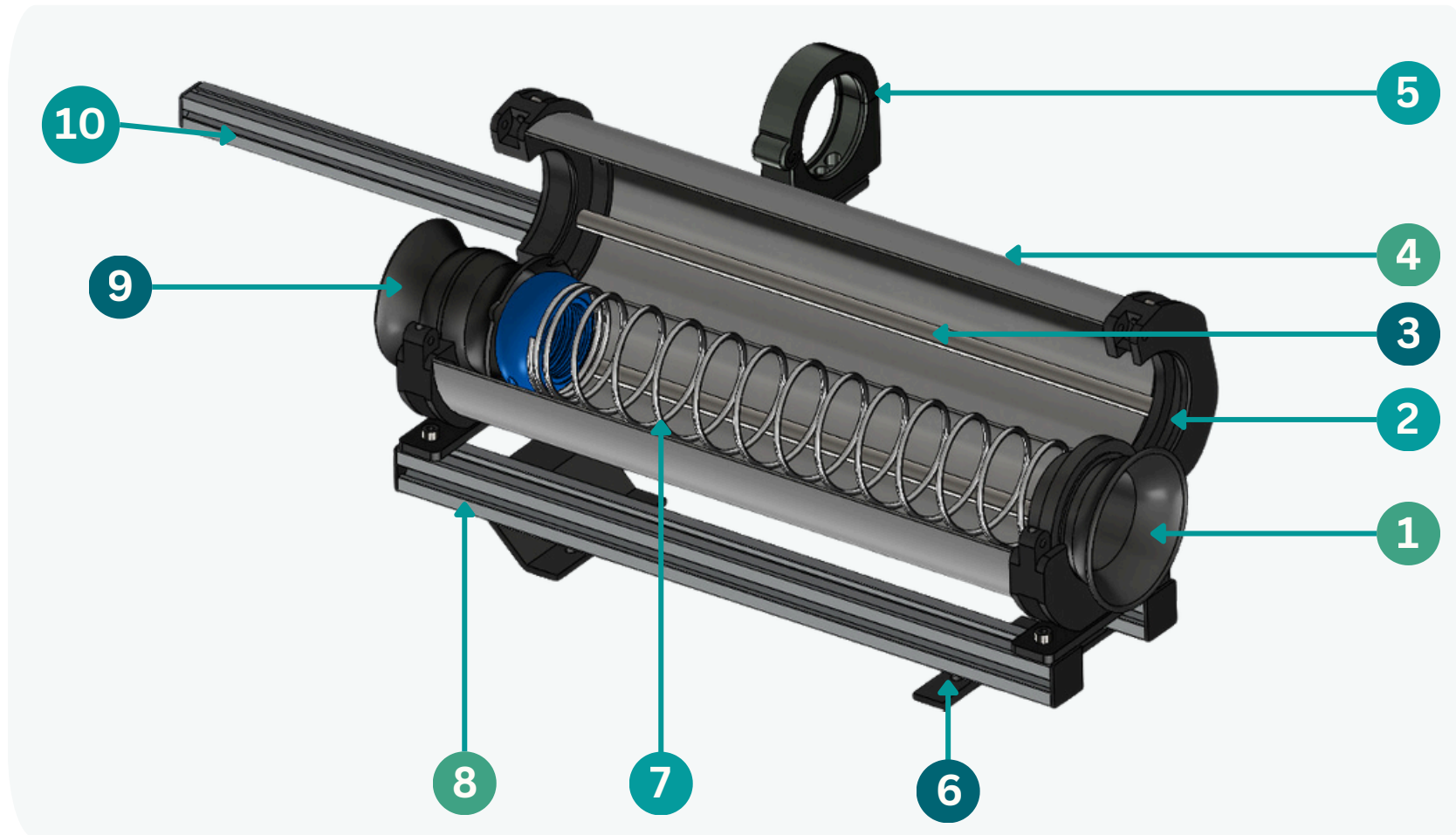
COMPATIBLE ROBOTS

ABB, Fanuc, KUKA
Yaskawa & all major
robot brands

DESIGN DETAILS

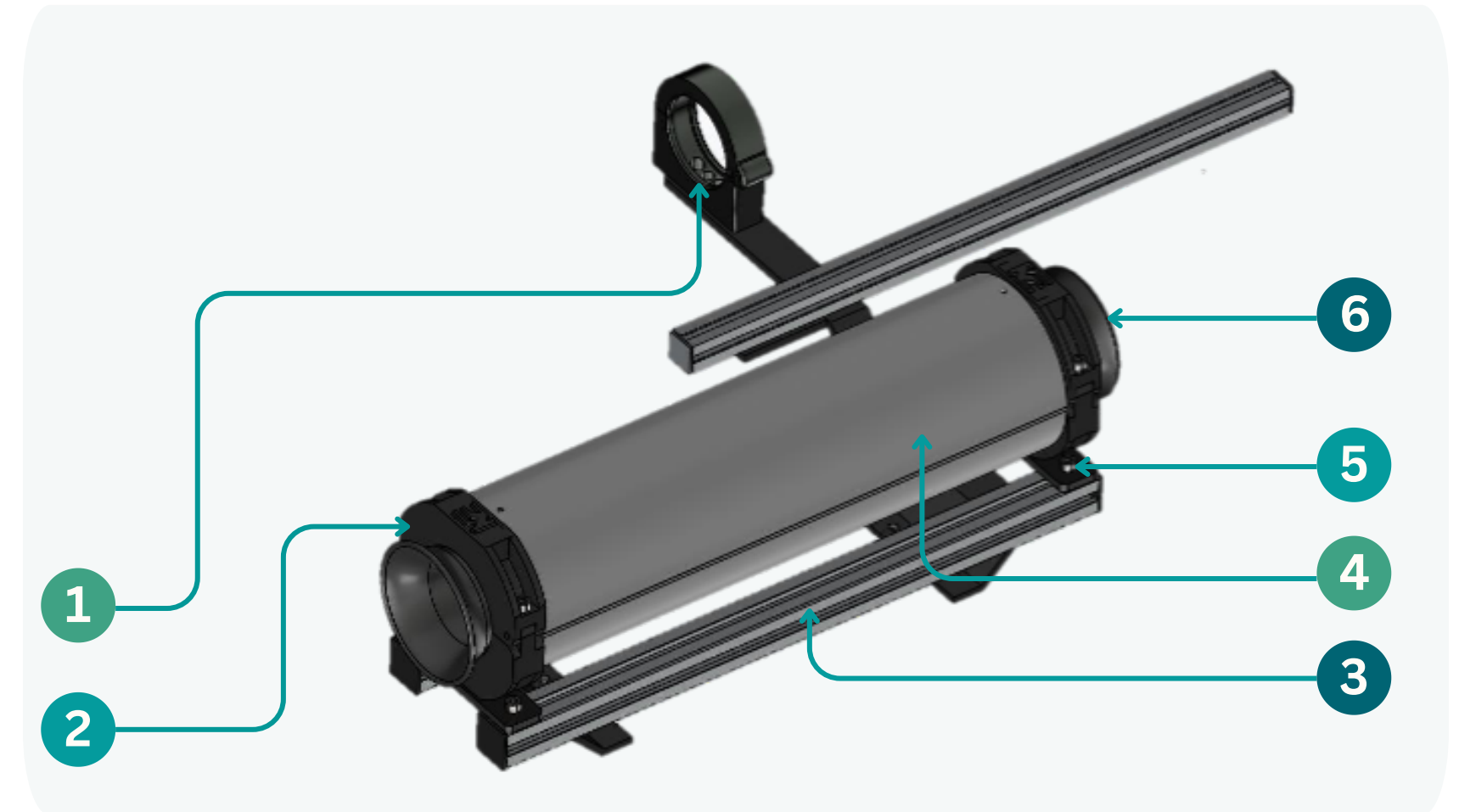


DESIGN DETAILS



- | | |
|--------------------------|---------------|
| 1. SPRING HOLDER | 6. BASE PLATE |
| 2. ALUMINIUM BRACKET | 7. SPRING |
| 3. STAINLESS STEEL GUIDE | 8. BASE TRACK |
| 4. PROTECTIVE COVER | 9. TRUMPET |
| 5. HOLDING BRACKET | 10. SUPPORT |

[Retention Assembly - Inner Detail]



- | | |
|----------------------|---------------------|
| 1. SUPPORT BRACKET | 4. RETENTION COVER |
| 2. ALUMINIUM BRACKET | 5. TRACK BASE |
| 3. ALUMINUM TRACK | 6. ALUMINUM BRACKET |

[Retention Assembly - Outer Detail]

DESIGN DRAWINGS



BUSINESS BENEFITS

Make In India Strategy with Kay Vybin Dresspack

Shorter Leadtime

Reduced lead time for spares, integration service, and maintenance due to a 24/7 available team. Production lines run smoothly without interruptions, even during installations and service.

In-House Spare Parts

Durable and flexible German-engineered components locally stocked are offered at the lowest costs without transportation shipping charges. Localized assembly also allows for easy and quick supply.

Cost Effective Solution

The system is made using high-tech German components and assembled in-house. It benefits from Make in India scheme and is significantly more affordable without compromising on the highest quality.

Customized Flexibility

Dresspacks made to match customers' specific robotic application needs, ensuring necessary cables move flexibly without any interference or breakages.

Watch Now: <https://youtu.be/PytXmyc3JB0>



Complete Dresspack Retention System

Engineered for seamless cabling—install in minutes, let your robot run for years.

Dresspack In Detail

Watch Now: <https://youtu.be/5jlNnWVS1c?si=RJx03LKcMtdvGUCg>



KVC Dresspack Retention System

Durable | Flexible | Cost-Effective | Made in India

Dresspack In Action

THANK YOU

Please contact sanil.patil@kayvybin.com, raju.haridoss@kayvybin.com, kritvi.kulkarni@kayvybin.com for any questions

Kay Vybin Corporation
www.kayvybin.com · sales@kayvybin.com