

OUR GLOBAL SUPPLIERS & CUSTOMERS

OUR SUPPLIER NETWORK



OUR VALUED OEM CLIENTS



OUR VALUED LINE BUILDERS

- Comau
- Faith Automation
- Difacto
- Wooshin
- Hwashin
- Gestamp
- ABB
- Chropynska
- JBM Group
- Hirotec
- Gedia
- Magna

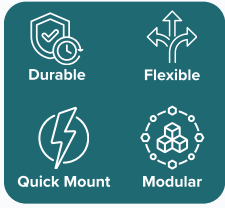
CHOOSE US AND THE INDIAN AUTOMATION MARKET

- 50+** years of experience in automation and manufacturing
- 250+** purchase orders and integration projects completed
- 20+** industry leading OEM clients network
- €1M** worth of robotic components and integration services provided annually
- \$1T** projected value of Indian Automation market projected by 2030; the next global manufacturing hub

MORE ABOUT OUR SERVICES

With over 50 years of experience as distributors of automation solutions in India, we have positioned ourselves as **specialists in bridging the gap between suppliers of robotic solutions and end user OEMs**. This expertise enables us to deliver the **highest quality components and assist our OEMs in programming and optimizing efficiency** through the use of automation technologies.

Our experience in **navigating the complexities of the Indian market**—including **supply chain bottlenecks, bureaucratic challenges, and various nuances**—has equipped us with the capabilities and bandwidth to **understand the Indian customer and now do our own cable assembly projects and manufacture our own components**. This includes the development of our proprietary **patented Dresspack Retention System**, which is designed to minimize lead times, offer a durable yet flexible solution, and expand our vertical scope.



Leading Industrial Robotic Solutions in India



ROBOT DRESSPACKS



INDUSTRIAL ROBOTS



SPOT WELDING ELECTRODES



ROBOT TCP CALIBRATION & CALCULATION DEVICE



NEWLY DEVELOPED DRESSPACK RETENTION SYSTEM



ROBOT CABLE ASSEMBLY



COBOTS AND SERVICE ROBOTS



MIG WELDING SYSTEMS



NEW RELEASE

KVC DRESSPACK RETENTION SYSTEM

Our Dresspack Retention System has been meticulously researched, tested, and designed to not only protect cables & hoses but also prevent any interference with the robot's operation, ensuring reliable and efficient performance. We have prioritized optimal performance while maintaining the longevity of the dresspack for improved efficiency and cost savings.

Enhanced Operational Efficiency and Performance

Higher Safety

Flexibility and Wider Motion Range

Improved Durability and Resistance

Cost Savings

Easy Installation & Integration

Increased Longevity



Enhanced Precision: Utilizes high-quality linear guides for precise and repeatable movements.

Smooth Operation: Ensures frictionless movement, reducing mechanical wear

High Payload Capacity: Suited for heavy-duty applications

Versatile Compatibility: Compatible with major robotic brands like ABB, Fanuc, KUKA, Yaskawa

Improved Durability and Resistance: Enhanced materials and design offering better resistance to harsh environments, chemicals, and extreme temperatures

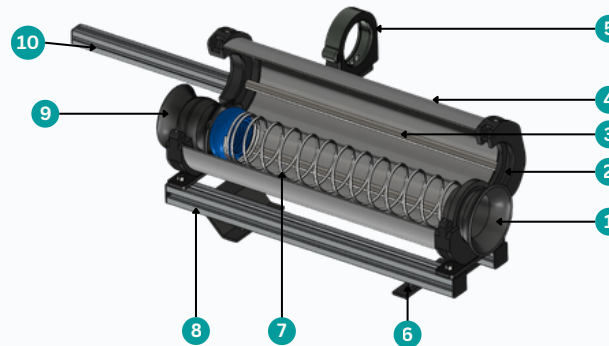
Compact Design: Easy installation and integration into existing setups without major modifications

Reliable Retract Stroke: A consistent retract stroke of 400mm

Optimized Cable Management: Keeps cables organized and protected to extend longevity and dresspack lifecycle

TECHNICAL SPECIFICATIONS

Feature	Description		
DIMENSION (SIZE OPTIONS)	NW 70	NW 52	NW 36
	175 x 200 x 650mm	145 x 150 x 650mm	105 x 140 x 650mm
WEIGHT	14.9KG	8.65KG	6.2KG
MATERIALS	Aluminum Alloy, Stainless Steel, Poly Vinyl Chloride, Coating: Black Anodized Finish		
RETRACT STROKE	A retract stroke of 400 mm, allowing for smooth long and efficient movement		
COMPATIBLE ROBOT MODELS	Compatible with ABB, Fanuc, KUKA, and Yaskawa robot models.		



1. SPRING HOLDER
2. ALUMINIUM BRACKET
3. STAINLESS STEEL GUIDE
4. PROTECTIVE COVER
5. HOLDING BRACKET
6. BASE PLATE
7. SPRING
8. BASE TRACK
9. TRUMPET
10. SUPPORT



CONTACT US



GAT NO. A-5/6, CHAKAN MIDC, PHASE IV, NEAR CHAKAN FIRE BRIGADE STATION, PUNE, INDIA - 410501

C-5 RAJU INDUSTRIAL ESTATE, MIRA ROAD, DAHISAR CHECK NAKA, MUMBAI, INDIA - 401107

SALES@KAYVYBIN.COM
SANIL.PATIL@KAYVYBIN.COM
+91 22 2896 4671 / 2897 4972

