



## FK 8 L

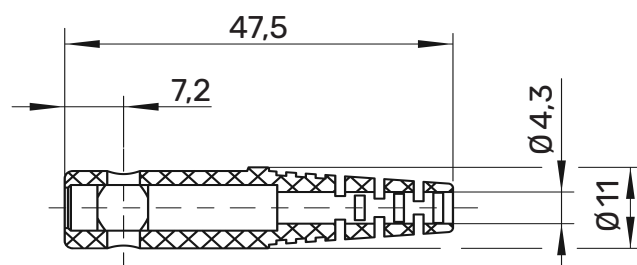
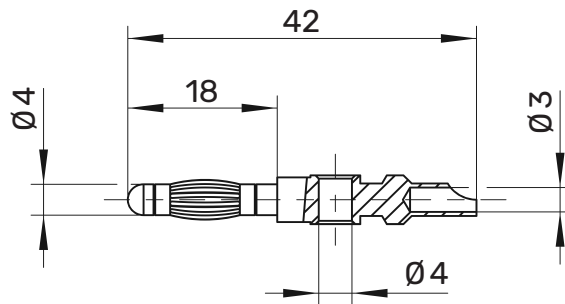
### Lamella-basket plug

Ø 4mm

30 V<sub>AC</sub> / 60 V<sub>DC</sub>

32 A

- straight, with solder terminal for cables up to 2.5 mm<sup>2</sup>
- additional socket crosswise
- with sleeve, unassembled



#### General information

Order No. <sup>1)</sup> **FK 8 L Ni | Au / ..(colour)**

colours black, red, blue, yellow, green, grey, brown, white, purple

contact parts nickel-plated | **gold-plated**

sleeves TPE (Evoprene)

#### Technical data

terminal solder up to 2,5 mm<sup>2</sup>

for wire cross-section up to 2,5 mm<sup>2</sup>

for cable diameter up to 4 mm

transition resistance 3 mΩ (Ni) | 2 mΩ (Au)

rated voltage <sup>2)</sup> 30 V<sub>AC</sub> / 60 V<sub>DC</sub>

rated current <sup>2)</sup> 32 A

operating temperature from -30 °C to +110 °C

<sup>1)</sup> other contact platings, colours and sleeves for other cable diameter on request  
<sup>2)</sup> at normal ambient temperatures

<b>FK 8 L</b>				<b>Ni</b>	<b>Au</b>
●	<b>SW</b>	<b>Schwarz</b>	<b>Black</b>	99001219	99001228
●	<b>RT</b>	<b>Rot</b>	<b>Red</b>	99001218	99001227
●	<b>BL</b>	<b>Blau</b>	<b>Blue</b>	99001213	99001222
●	<b>GE</b>	<b>Gelb</b>	<b>Yellow</b>	99001215	99001224
●	<b>GN</b>	<b>Grün</b>	<b>Green</b>	99001216	99001225
●	<b>GR</b>	<b>Grau</b>	<b>Grey</b>	99001217	99001226
●	<b>BR</b>	<b>Braun</b>	<b>Brown</b>	99001214	99001223
○	<b>WS</b>	<b>Weiß</b>	<b>White</b>	99001221	99001230
●	<b>VI</b>	<b>Violett</b>	<b>Purple</b>	99001220	99001229