



## FK 8 S

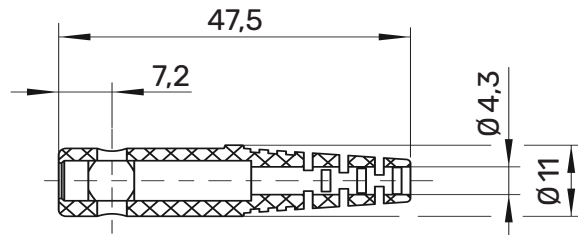
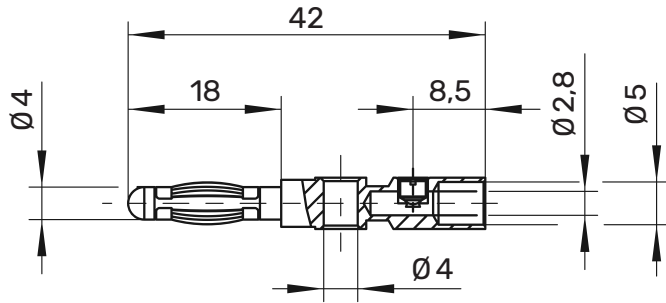
### Lamella-basket plug

Ø 4mm

30 V<sub>AC</sub> / 60 V<sub>DC</sub>

32 A

- straight, with screw terminal for cables up to 2.5 mm<sup>2</sup>
- additional socket crosswise
- with sleeve, unassembled



### General information

Order No <sup>1)</sup>	FK 8 S Ni   Au / ..(colour)
colours	black, red, blue, yellow, green, grey, brown, white, purple
contact parts	nickel-plated   gold-plated
sleeves	TPE (Evoprene)

### Technical data

terminal	screw up to 2,5 mm <sup>2</sup>
for wire cross-section	up to 2,5 mm <sup>2</sup>
for cable diameter	up to 4 mm
transition resistance	3 mΩ (Ni)   2 mΩ (Au)
rated voltage <sup>2)</sup>	30 V <sub>AC</sub> / 60 V <sub>DC</sub>
rated current <sup>2)</sup>	32 A
operating temperature	from -30 °C to +110 °C

<sup>1)</sup> other contact platings, colours and sleeves for other cable diameter on request  
<sup>2)</sup> at normal ambient temperatures

<b>FK 8 S</b>				<b>Ni</b>	<b>Au</b>
●	<b>SW</b>	<b>Schwarz</b>	<b>Black</b>	99001245	99001255
●	<b>RT</b>	<b>Rot</b>	<b>Red</b>	99001243	99001254
●	<b>BL</b>	<b>Blau</b>	<b>Blue</b>	99001236	99001249
●	<b>GE</b>	<b>Gelb</b>	<b>Yellow</b>	99001239	99001251
●	<b>GN</b>	<b>Grün</b>	<b>Green</b>	99010721	99001252
●	<b>GR</b>	<b>Grau</b>	<b>Grey</b>	99001242	99001253
●	<b>BR</b>	<b>Braun</b>	<b>Brown</b>	99001238	99001250
○	<b>WS</b>	<b>Weiß</b>	<b>White</b>	99001248	99001257
●	<b>VI</b>	<b>Violett</b>	<b>Purple</b>	99001247	99001256