



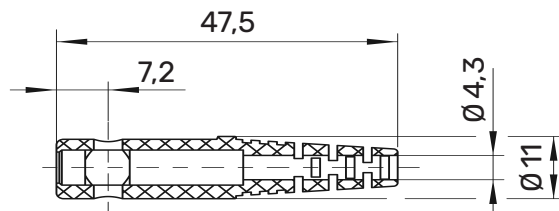
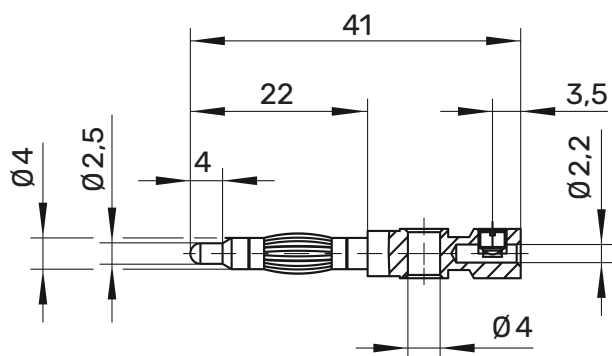
## FK 8 SPS Lamella-basket plug

Ø 4mm

30 V<sub>AC</sub> / 60V<sub>DC</sub>

16 A

- straight, with screw terminal for cables up to 1 mm<sup>2</sup>
- additional socket crosswise
- with sleeve, unassembled



### General information

Order No. <sup>1)</sup>	<b>FK 8 SPS Ni (colour)</b>
colours	black, red, blue, yellow, green, grey, brown, white, purple
contact parts	nickel-plated
sleeves	TPE (Evoprene)

### Technical data

terminal	screw up to 1 mm <sup>2</sup>
for wire cross-section	up to 1 mm <sup>2</sup>
for cable diameter	up to 4 mm
transition resistance	3 mΩ (Ni)
rated voltage <sup>2)</sup>	30 V <sub>AC</sub> / 60 V <sub>DC</sub>
rated current <sup>2)</sup>	16 A
operating temperature	from -30 °C to +110 °C

<sup>1)</sup> other contact platings, colours and sleeves for other cable diameter on request  
<sup>2)</sup> at normal ambient temperatures

**FK 8 SPS**

Ni

Au

●	SW	Schwarz	Black	99014065
●	RT	Rot	Red	99014064
●	BL	Blau	Blue	99014058
●	GE	Gelb	Yellow	99014060
●	GN	Grün	Green	99014061
●	GR	Grau	Grey	99014062
●	BR	Braun	Brown	99014059
○	WS	Weiß	White	99014067
●	VI	Violett	Purple	99014063