



## FK 82 L

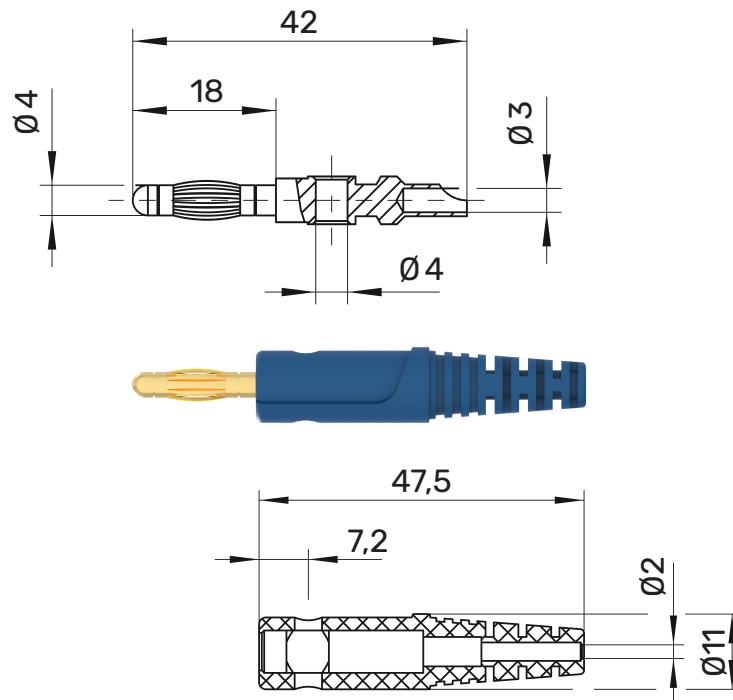
### Lamella-basket plug

Ø 4mm

30 V<sub>AC</sub> / 60V<sub>DC</sub>

10 A

- straight, with solder terminal for cables up to 0.5 mm<sup>2</sup>
- additional socket crosswise
- with sleeve, unassembled



### General information

Order No <sup>1)</sup>	FK 82 L Ni   Au / ..(colour)
colours	black, red, blue, yellow, green, grey, brown, white
contact parts	nickel-plated   gold-plated
sleeves	TPE (Evoprene)

### Technical data

terminal	solder up to 0,5 mm <sup>2</sup>
for wire cross-section	up to 0,5 mm <sup>2</sup>
for cable diameter	up to 2 mm
transition resistance	3 mΩ (Ni)   2 mΩ (Au)
rated voltage <sup>2)</sup>	30 V <sub>AC</sub> / 60 V <sub>DC</sub>
rated current <sup>2)</sup>	10 A
operating temperature	from -30 °C to +110 °C

<sup>1)</sup> other contact platings, colours and sleeves for other cable diameter on request  
<sup>2)</sup> at normal ambient temperatures

<b>FK 82 L</b>				<b>Ni</b>	<b>Au</b>
●	<b>SW</b>	<b>Schwarz</b>	<b>Black</b>	99001276	99001285
●	<b>RT</b>	<b>Rot</b>	<b>Red</b>	99001275	99001284
●	<b>BL</b>	<b>Blau</b>	<b>Blue</b>	99001270	99001279
●	<b>GE</b>	<b>Gelb</b>	<b>Yellow</b>	99001272	99001281
●	<b>GN</b>	<b>Grün</b>	<b>Green</b>	99001273	99001282
●	<b>GR</b>	<b>Grau</b>	<b>Grey</b>	99001274	99001283
●	<b>BR</b>	<b>Braun</b>	<b>Brown</b>	99001271	99001280
○	<b>WS</b>	<b>Weiß</b>	<b>White</b>	99001278	99001287
●	<b>VI</b>	<b>Violett</b>	<b>Purple</b>		