



FK 92 S

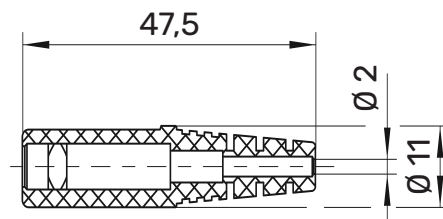
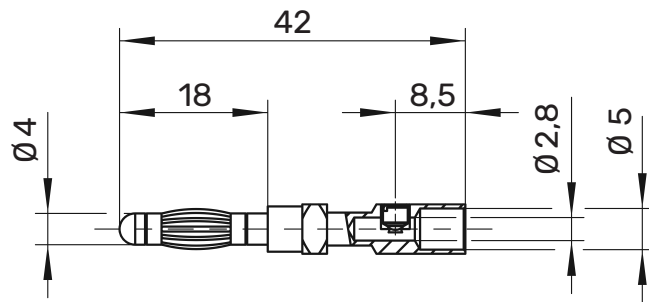
Lamella-basket plug

Ø 4mm

30 V_{AC} / 60V_{DC}

10 A

- straight, with screw terminal for cables up to 0.5 mm²
- with sleeve, unassembled



General information

Order No. ¹⁾	FK 92 S Ni Au / ..(colour)
colours	black, red, blue, yellow, green, grey, brown, white, purple
contact parts	nickel-plated gold-plated
sleeves	TPE (Evoprene)

Technical data

terminal	screw up to 0,5 mm ²
for wire cross-section	up to 0,5 mm ²
for cable diameter	up to 2 mm
transition resistance	3 mΩ (Ni) 2 mΩ (Au)
rated voltage ²⁾	30 V _{AC} / 60 V _{DC}
rated current ²⁾	10 A
operating temperature	from -30 °C to +110 °C

¹⁾ other contact platings, colours and sleeves for other cable diameter on request
²⁾ at normal ambient temperatures

FK 92 S				Ni	Au
●	SW	Schwarz	Black	99001371	99001380
●	RT	Rot	Red	99001370	99001379
●	BL	Blau	Blue	99001365	99001374
●	GE	Gelb	Yellow	99001367	99001376
●	GN	Grün	Green	99001368	99001377
●	GR	Grau	Grey	99001369	99001378
●	BR	Braun	Brown	99001366	99001375
○	WS	Weiß	White	99001373	99001382
●	VI	Violett	Purple		