

# FK 1184

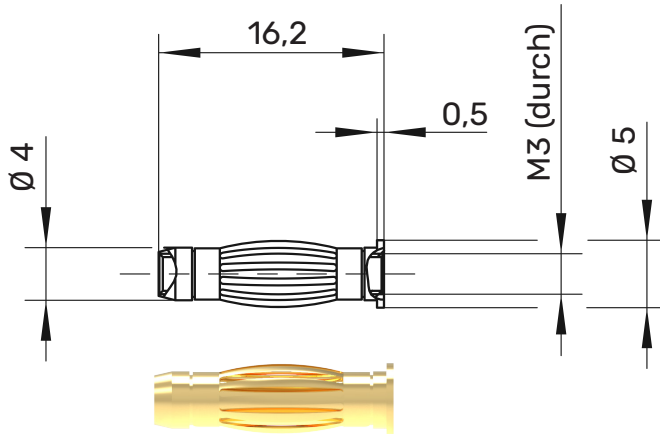
## Lamella-basket plugs

Ø 4mm

30 V<sub>AC</sub> / 60V<sub>DC</sub>

32 A

- internal thread M3
- application e.g. as plug-in connectors



### General information

Order No..<sup>1)</sup> **FK 1184 Ni | Au**  
 contact parts nickel-plated | **gold-plated**

### Technical data

transition resistance 3 mΩ (Ni) | 2 mΩ (Au)  
 rated voltage<sup>2)</sup> 30 V<sub>AC</sub> / 60 V<sub>DC</sub>  
 rated current<sup>2)</sup> 32 A  
 operating temperature from -40 °C to +110 °C

<sup>1)</sup> other contact platings and designs on request  
<sup>2)</sup> at normal ambient temperatures

**FK 1184**

Ni

Au

---

99000748

99000749