

FK 1200

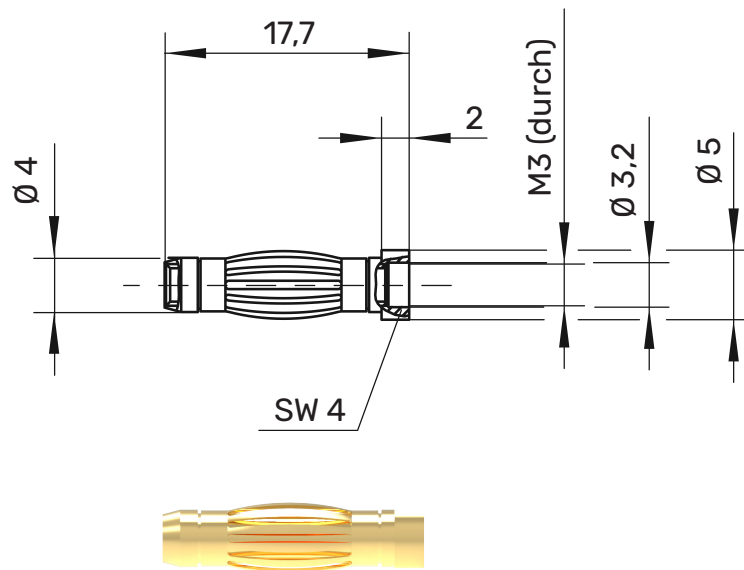
Lamella-basket plug

Ø 4mm

30 V_{AC} / 60V_{DC}

32 A

- 2-sided fastener, width across flats SW 4
- thread M3 x 10



General information

Order No. ¹⁾	FK 1200 Ni Au
contact parts	nickel-plated gold-plated

Technical data

transition resistance	3 mΩ (Ni) 2 mΩ (Au)
rated voltage ²⁾	30 V _{AC} / 60 V _{DC}
rated current ²⁾	32 A
operating temperature	from -40 °C to +110 °C

¹⁾ other contact platings and designs on request
²⁾ at normal ambient temperatures

FK 1200

Ni

Au

99000756

99000757