

FK 1209

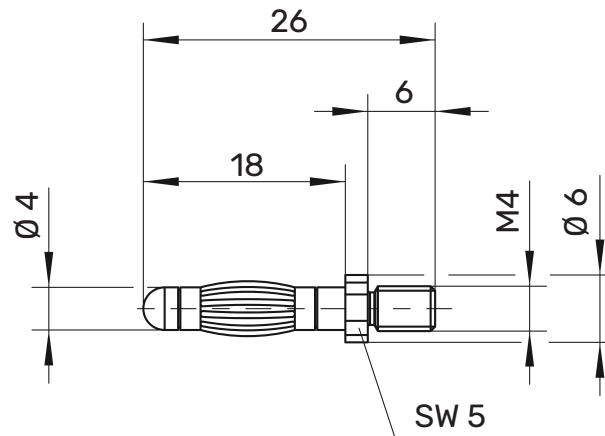
Lamella-basket plugs

Ø 4mm

30 V_{AC} / 60V_{DC}

32 A

- 2-sided fastener, width across flats SW 5
- thread M4 x 6



General information

Order No.¹⁾

FK 1209 Ni | Au

contact parts

nickel-plated | **gold-plated**

Technical data

transition resistance

3 mΩ (Ni) | 2 mΩ (Au)

rated voltage²⁾

30 V_{AC} / 60 V_{DC}

rated current²⁾

32 A

operating temperature

from -40 °C to +110 °C

¹⁾ other contact platings and designs on request
²⁾ at normal ambient temperatures

FK 1209

Ni

Au

99000766

99000767