

# FK 1210

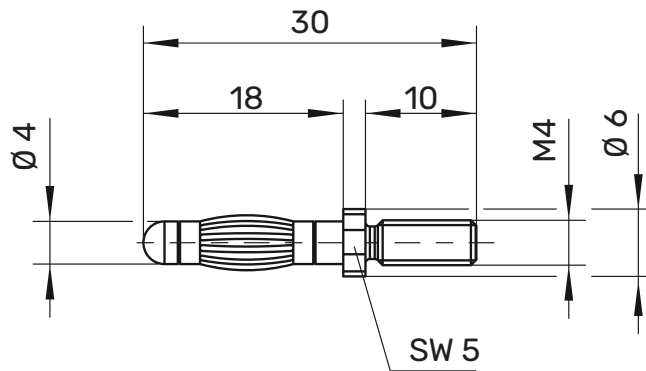
## Lamella-basket plug

Ø 4mm

30 V<sub>AC</sub> / 60V<sub>DC</sub>

32 A

- 2-sided fastener, width across flats SW 5
- thread M4 x 10



### General information

Order No. <sup>1)</sup>	FK 1210 Ni   Au
contact parts	nickel-plated   gold-plated

### Technical data

transition resistance	3 mΩ (Ni)   2 mΩ (Au)
rated voltage <sup>2)</sup>	30 V <sub>AC</sub> / 60 V <sub>DC</sub>
rated current <sup>2)</sup>	32 A
operating temperature	from -40 °C to +110 °C

<sup>1)</sup> other contact platings and designs on request  
<sup>2)</sup> at normal ambient temperatures

**FK 1210**

Ni

Au

---

99000769

99000770