

# FK 1211

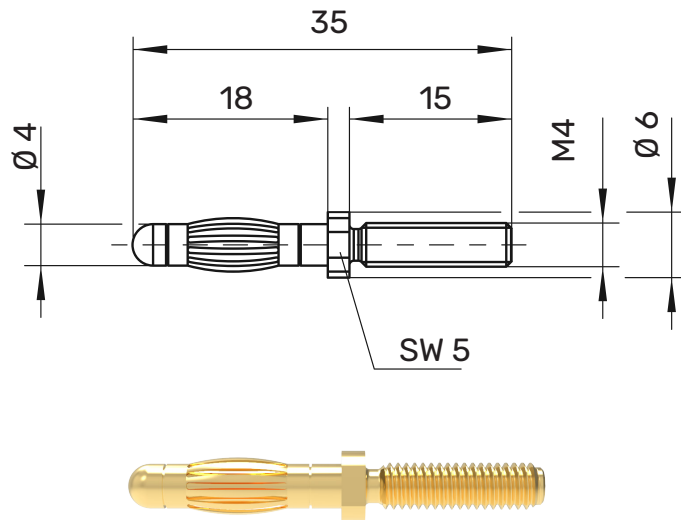
## Lamella-basket plug

Ø 4mm

30 V<sub>AC</sub> / 60V<sub>DC</sub>

32 A

- 2-sided fastener, width across flats SW 5
- thread M4 x 15



### General information

Order No.<sup>1)</sup>

FK 1211 Ni | Au

contact parts

nickel-plated | gold-plated

### Technical data

transition resistance

3 mΩ (Ni) | 2 mΩ (Au)

rated voltage<sup>2)</sup>

30 V<sub>AC</sub> / 60 V<sub>DC</sub>

rated current<sup>2)</sup>

32 A

operating temperature

from -40 °C to +110 °C

<sup>1)</sup> other contact platings and designs on request  
<sup>2)</sup> at normal ambient temperatures

**FK 1211**

Ni

Au

---

99000773

99000774