

FK 1215

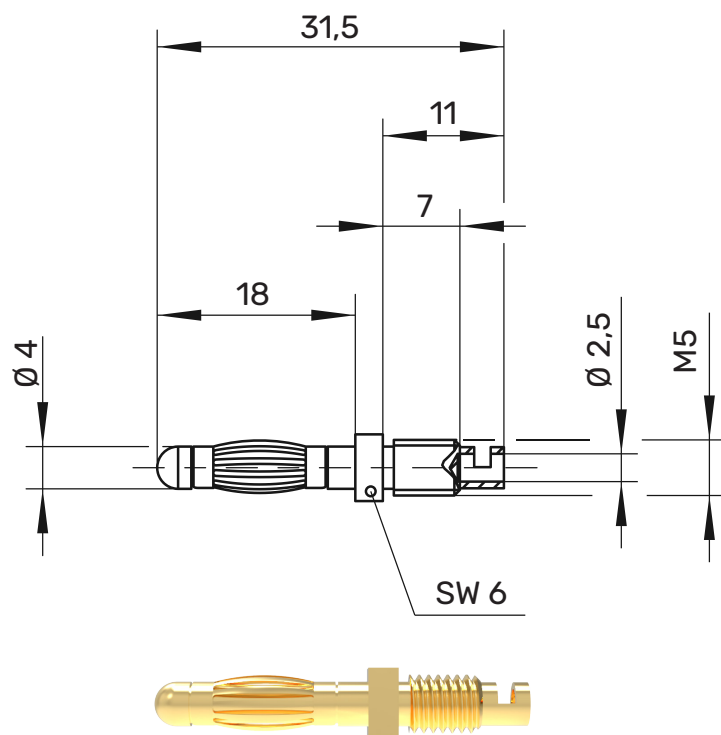
Lamella-basket plug

Ø 4mm

30 V_{AC} / 60V_{DC}

32 A

- 4-sided fastener, width across flats SW 6
- thread M5 x 7
- with solder terminal for cables up to 2.5 mm²



General information

Order No.¹⁾

FK 1215 Ni | Au

contact parts

nickel-plated | **gold-plated**

Technical data

terminal

solder up to 2.5 mm²

transition resistance

3 mΩ (Ni) | 2 mΩ (Au)

rated voltage²⁾

30 V_{AC} / 60 V_{DC}

rated current²⁾

32 A

operating temperature

from -40 °C to +110 °C

¹⁾ other contact platings and designs on request
²⁾ at normal ambient temperatures

FK 1215

Ni

Au

99000777

99000778